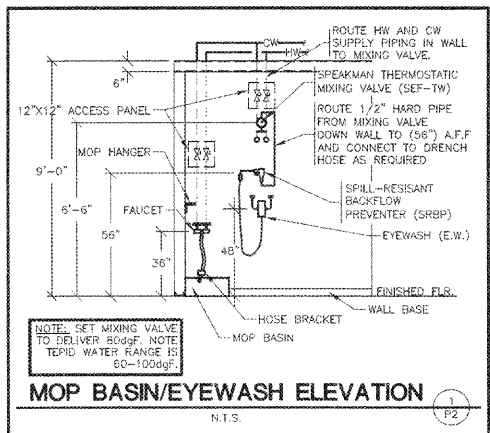
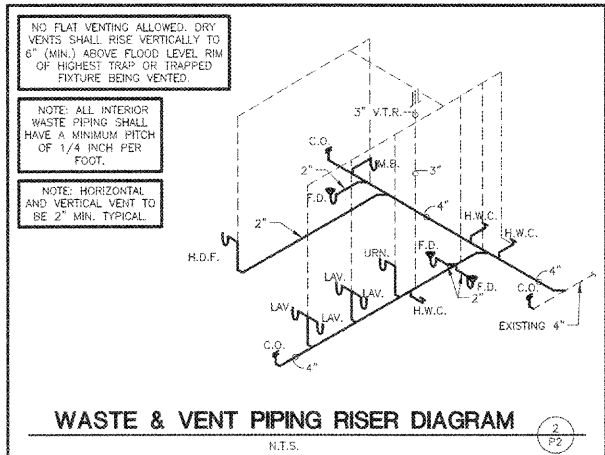
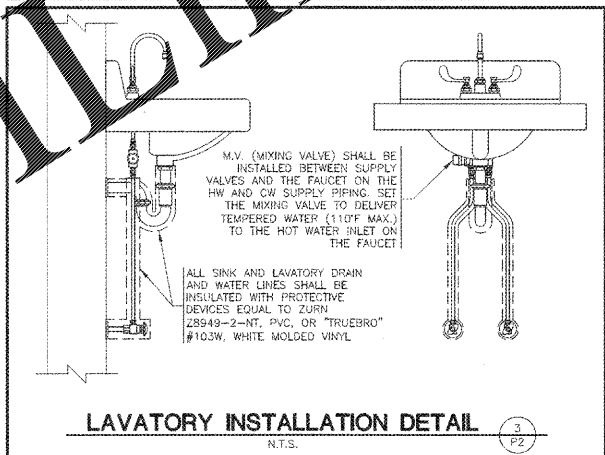
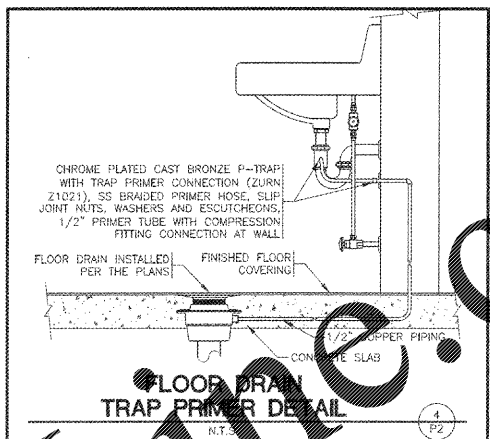
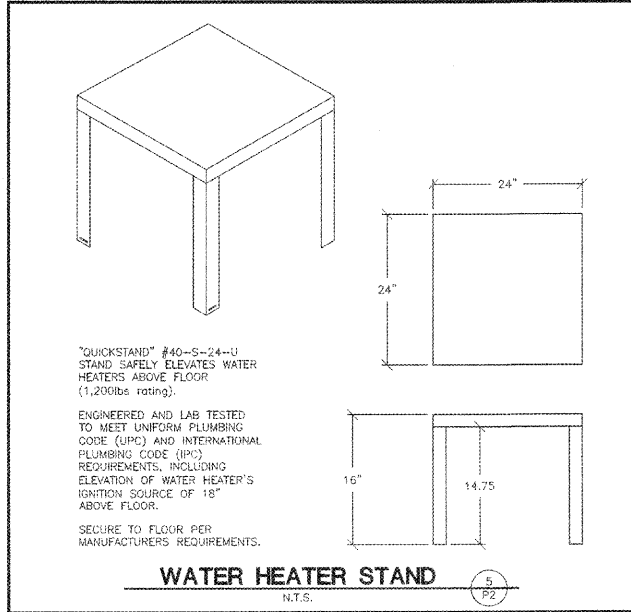
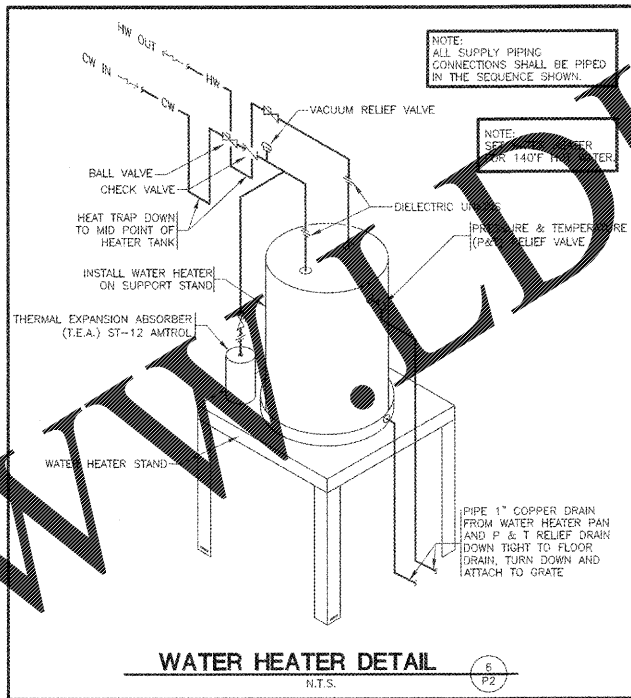
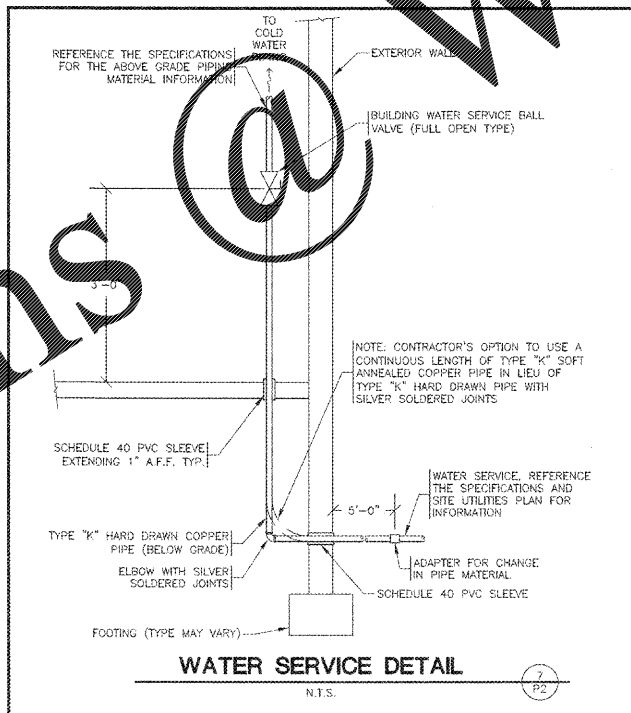
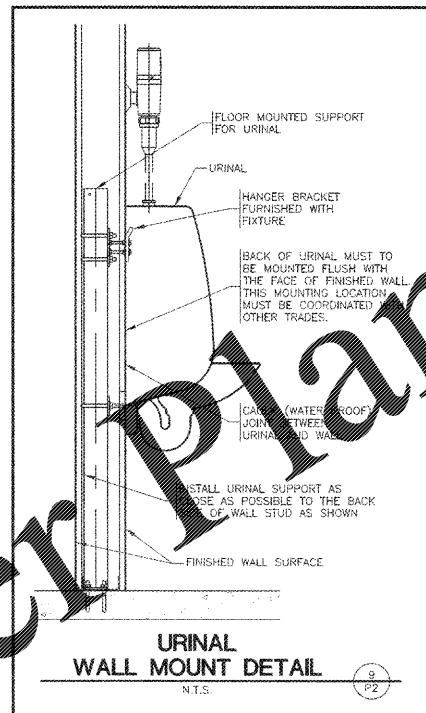
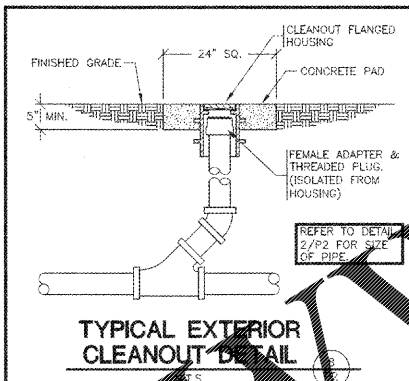


Order Plans

**PLUMBING CALCULATIONS**

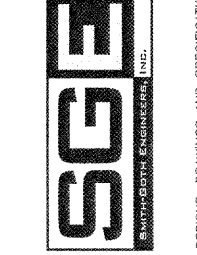
FIXTURE	QUANTITY	TOTAL-SFU	TOTAL	TOTAL-HW	TOTAL	DFU	TOTAL
W.C. (TANK)	3	5	15	0	0	4	12
URN. (URINAL)	1	5	5	0	0	4	4
LAV. (LAVATORY)	4	2	8	1.5	6.00	2	8
M.P. (MOP BASIN)	1	3	3	1.5	1.50	2	2
H.D.F. (FOUNTAIN)	1	0.25	0.25	0	0	0.5	0.50
H.B. (HOSE BIBB)	2	3	6	0	0	0	0
<b>TOTAL</b>			<b>37.25</b>	<b>TOTAL</b>	<b>7.50</b>	<b>TOTAL</b>	<b>26.50</b>
TOTAL CW GPM			25	AVERAGE DAILY FLOW =		150 gal/DAY	
COLD WATER SERVICE SIZE			1-1/2"				



**O'Reilly AUTO PARTS**  
CORPORATE OFFICES  
233 SOUTH PATTERSON  
SPRINGFIELD, MISSOURI 65802  
(417) 862-2674 TELEPHONE

**PROJECT: BUILDING ADDITION**  
**O'REILLY AUTO PARTS STORE**  
1040 SOUTH MCKENZIE STREET  
FOLEY, ALABAMA  
**PLUMBING DETAILS**

3355 S. JEFFERSON AVE.  
SPRINGFIELD, MO 65807  
P: 417-882-2300  
F: 417-882-1188  
WWW.O'REILLYAUTO.COM



DRAWN BY: CEV  
CHECKED BY: NEG  
DATE: 10/12/18  
REVISION:

PROJECT NUMBER:  
**FOL-1133**  
SHEET NUMBER:  
**P2**

REPRODUCTION PROHIBITED WITHOUT THE EXPRESSED WRITTEN CONSENT OF THE DESIGN PROFESSIONAL. © COPYRIGHT 2018-2019. DESIGNS, DRAWINGS AND SPECIFICATIONS ARE INSTRUMENTS OF SERVICE AND ARE THE PROPERTY OF THE DESIGN PROFESSIONAL.