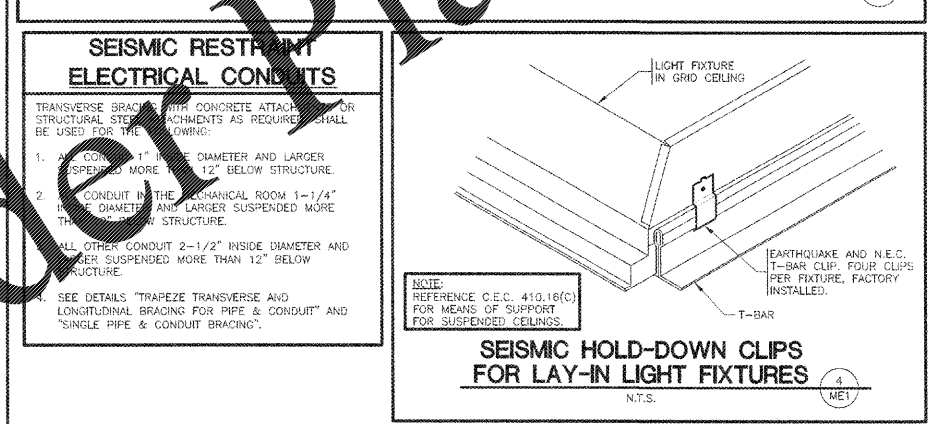
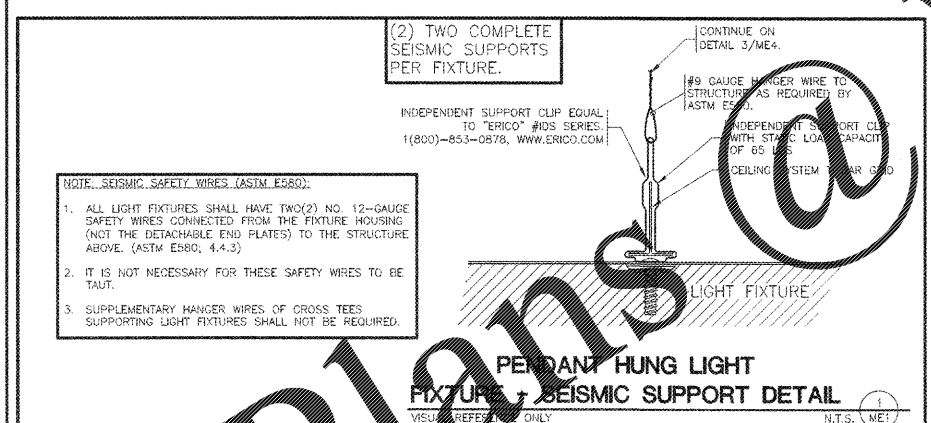
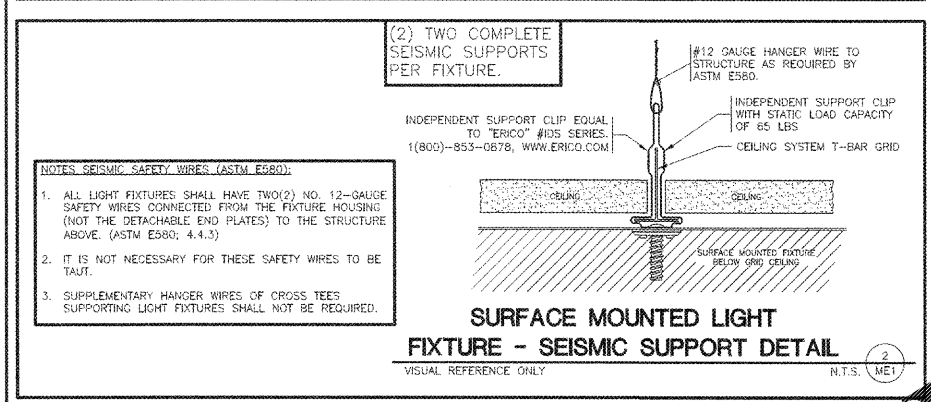
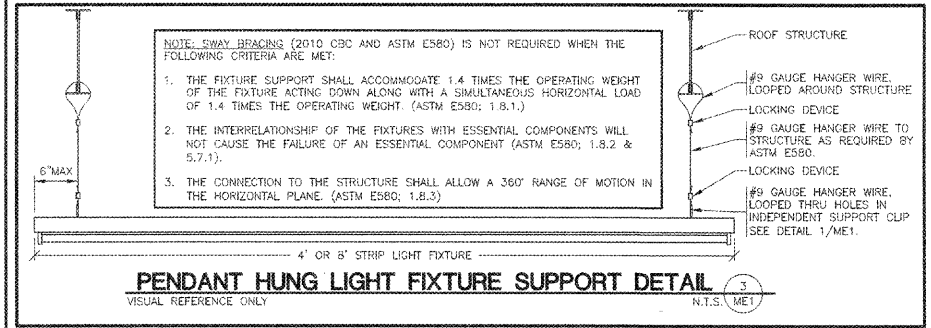


ELECTRICAL

CONTRACTOR TO REFER TO ARCHITECTURAL SHEET G1.1 FOR SEISMIC DESIGN CATEGORY. SEISMIC RESTRAINTS (ONLY REQUIRED FOR SEISMIC DESIGN CATEGORIES C,D,E,F)

CONTRACTOR TO PROVIDE SEISMIC BRACING AS REQUIRED BY CODE. IF SEISMIC BRACING IS REQUIRED SEE BRACING DETAILS THIS SHEET.



SEISMIC RESTRAINT ELECTRICAL CONDUITS

TRANSVERSE BRACING WITH CONCRETE ATTACHMENTS OR STRUCTURAL STEEL ATTACHMENTS AS REQUIRED SHALL BE USED FOR THE FOLLOWING:

- CONDUIT 1" INSIDE DIAMETER AND LARGER SUSPENDED MORE THAN 12" BELOW STRUCTURE.
- CONDUIT IN THE MECHANICAL ROOM 1-1/4" INSIDE DIAMETER AND LARGER SUSPENDED MORE THAN 12" BELOW STRUCTURE.
- ALL OTHER CONDUIT 2-1/2" INSIDE DIAMETER AND LARGER SUSPENDED MORE THAN 12" BELOW STRUCTURE.

SEE DETAILS "TRAPEZE TRANSVERSE AND LONGITUDINAL BRACING FOR PIPE & CONDUIT" AND "SINGLE PIPE & CONDUIT BRACING".

HVAC

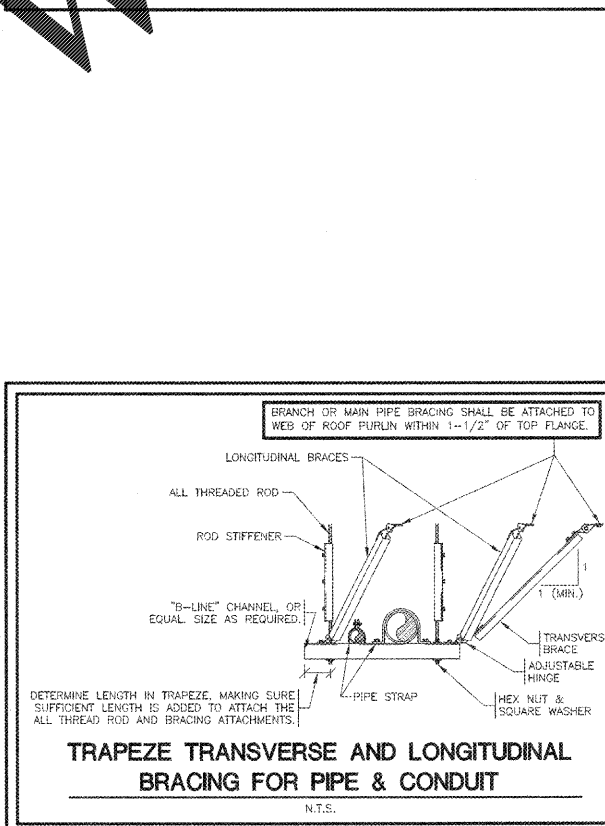
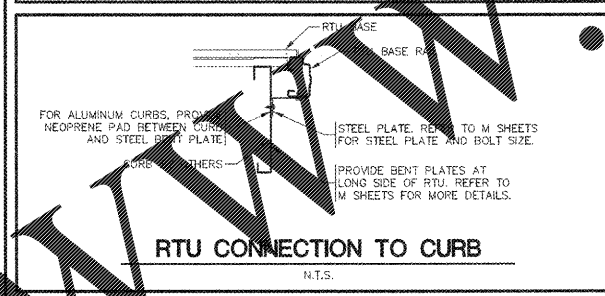
CONTRACTOR TO REFER TO ARCHITECTURAL SHEET G1.1 FOR SEISMIC DESIGN CATEGORY. SEISMIC RESTRAINTS (ONLY REQUIRED FOR SEISMIC DESIGN CATEGORIES C,D,E,F)

CONTRACTOR TO PROVIDE SEISMIC BRACING AS REQUIRED BY CODE. IF SEISMIC BRACING IS REQUIRED SEE BRACING DETAILS THIS SHEET.

SEISMIC RESTRAINT

TRANSVERSE BRACING WITH CONCRETE ATTACHMENTS OR STRUCTURAL STEEL ATTACHMENTS AS REQUIRED, SHALL BE USED FOR THE FOLLOWING:

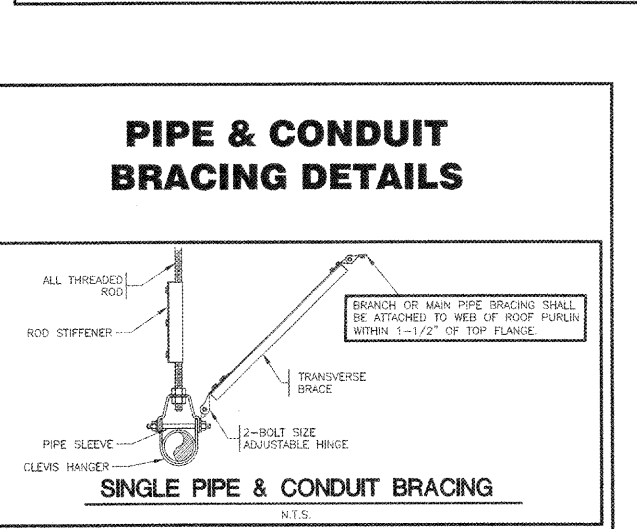
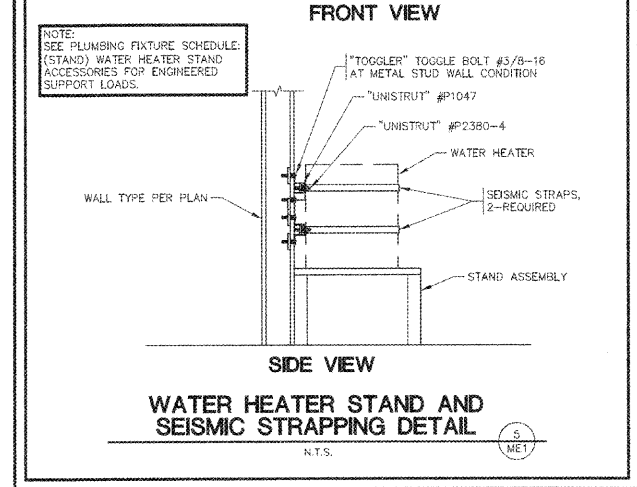
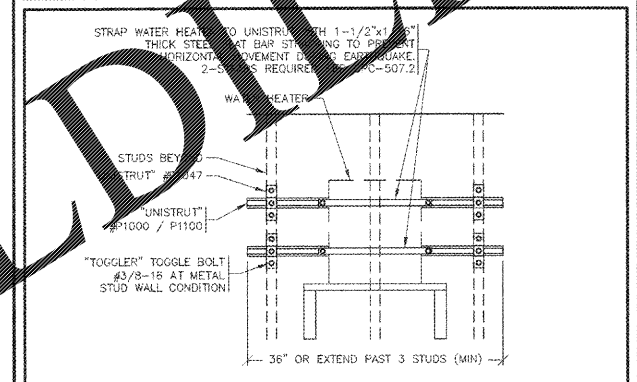
- ALL PIPE 1" INSIDE DIAMETER AND LARGER SUSPENDED MORE THAN 12" BELOW STRUCTURE.
- ALL PIPE IN THE MECHANICAL ROOM 1-1/4" INSIDE DIAMETER AND LARGER SUSPENDED MORE THAN 12" BELOW STRUCTURE.
- ALL OTHER PIPING 2-1/2" INSIDE DIAMETER AND LARGER SUSPENDED MORE THAN 12" BELOW STRUCTURE.
- ALL RECTANGULAR AIR DUCTS WITH CROSS SECTIONAL AREA OF 6 SQUARE FEET OR LARGER SUSPENDED MORE THAN 12" BELOW STRUCTURE.
- ALL PIPING WHICH REQUIRES RESTRAINT PER THE ABOVE SHALL BE PROVIDED WITH SEISMIC EXPANSION DEVICES.



PLUMBING

CONTRACTOR TO REFER TO ARCHITECTURAL SHEET G1.1 FOR SEISMIC DESIGN CATEGORY. SEISMIC RESTRAINTS (ONLY REQUIRED FOR SEISMIC DESIGN CATEGORIES C,D,E,F)

CONTRACTOR TO PROVIDE SEISMIC BRACING AS REQUIRED BY CODE. IF SEISMIC BRACING IS REQUIRED SEE BRACING DETAILS THIS SHEET.



O'Reilly AUTO PARTS
CORPORATE OFFICES
233 SOUTH PATTERSON
SPRINGFIELD, MISSOURI 65802
(417) 862-2674 TELEPHONE

PROJECT: BUILDING ADDITION
O'REILLY AUTO PARTS STORE
1040 SOUTH MCKENZIE STREET
FOLEY, ALABAMA
SEISMIC DETAILS

3865 S. JEFFERSON AVE.
SPRINGFIELD, MO 65807
P: 417-862-0200
F: 417-862-1188
WWW.OREILLYAUTO.COM



DRAWN BY: CEV
CHECKED BY: NEG
DATE: 10/12/18
REVISION:
PROJECT NUMBER: FOL-1133
SHEET NUMBER: ME1

DESIGNS, DRAWINGS AND SPECIFICATIONS ARE INSTRUMENTS OF SERVICE AND ARE THE PROPERTY OF THE DESIGN PROFESSIONAL. REPRODUCTION WITHOUT THE EXPRESSED WRITTEN CONSENT OF THE DESIGN PROFESSIONAL. COPYRIGHT 2018-2019

Order Plans @