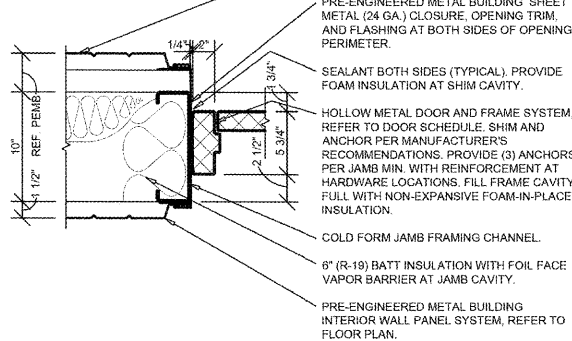


1 HEAD DETAIL

A5.1 SCALE: 1 1/2" = 1'-0"



2 JAMB DETAIL

A5.1 SCALE: 1 1/2" = 1'-0"

DOOR SCHEDULE

MK	DOOR			DOOR HARDWARE		FRAME		DETAILS			FIRE RATING	REMARKS (REFER NOTES)		
	SIZE (W x H x D)	TYPE	SWING	MATERIAL	GLAZ. TYPE	SET #	KEYED	TYPE	MATERIAL	HEAD WIDTH			HEAD	JAMB
1	3'-0" X 7'-0" X 1-3/4"	BB	REFER TO FLOOR PLAN	INSULATED METAL		2	A	1	INSULATED METAL		1/A5.1	2/A5.1	3/A5.1 SIM.	1, 2, 3
2	3'-0" X 7'-0" X 1-3/4"	C	REFER TO FLOOR PLAN	SOLID WOOD		5		1	HOLLOW METAL		7/A5.1	8/A5.1		1, 4
3	3'-0" X 7'-0" X 1-3/4"	C	REFER TO FLOOR PLAN	SOLID WOOD		5		1	HOLLOW METAL		7/A5.1	8/A5.1		1, 4

NOTES:
 1. ALL DOORS SHALL BE SHOP PREPARED FOR HARDWARE.
 2. ALL EXTERIOR DOORS TO BE KEYPAD ALIKE. CONTRACTOR TO FIELD VERIFY AND MATCH CORE OF DOOR MARKED "2".
 3. EXTERIOR DOOR, FRAME AND HARDWARE OWNER FURNISHED AND CONTRACTOR INSTALLED. REFER TO SCOPE OF WORK SCHEDULE.
 4. CONTRACTOR'S OPTION TO PURCHASE INTERIOR DOORS, FRAMES, AND HARDWARE THROUGH PREFERRED VENDOR. REFER TO SCOPE OF WORK SCHEDULE.

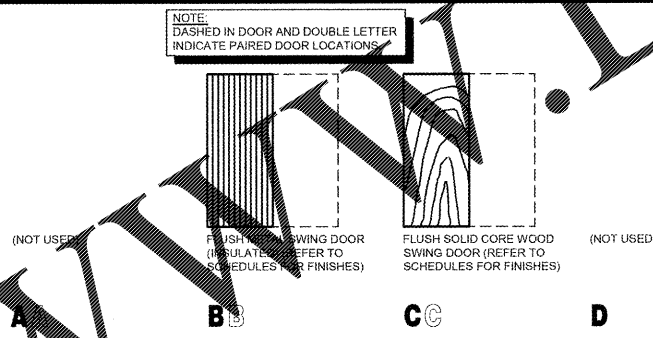
LOCKNET
 100 COURCHELLE DRIVE
 NICHOLASVILLE, KY 40356
 CONTACT: PAM PEEL
 PHONE 800-887-4307 EXT 133
 FAX 859-681-5498
 EMAIL: construction@locknet.com

SPECIAL NOTE:
 UNLESS OTHERWISE INDICATED, KNOCK DOWN (KD) TYPE DOOR FRAMES ARE NOT PERMITTED.

ALL EXTERIOR DOORS, FRAMES AND HARDWARE SUPPLY TO BE WIND-RATED TO COMPLY WITH THE FOLLOWING CRITERIA:
 DESIGN PRESSURE = +80/-80

DOOR TYPES

(SCALE 1/4" = 1'-0")



3 (NOT USED)

A5.1 SCALE: 1 1/2" = 1'-0"

4 (NOT USED)

A5.1 SCALE: 1 1/2" = 1'-0"

5 (NOT USED)

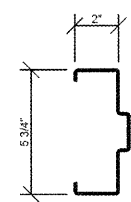
A5.1 SCALE: 1 1/2" = 1'-0"

6 (NOT USED)

A5.1 SCALE: 1 1/2" = 1'-0"

FRAME TYPES

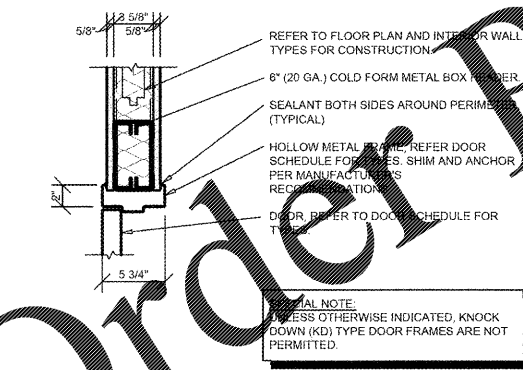
(SCALE 3" = 1'-0")



WELDED HOLLOW METAL FRAME (18 GA.) WITH (3) MIN. ANCHORS PER JAMB. (1) AT EACH JAMB SILL, AND ADDITIONAL ANCHORS AT HARDWARE LOCATIONS.
 REFER EXTERIOR AND INTERIOR FINISH SCHEDULES FOR COLORS.

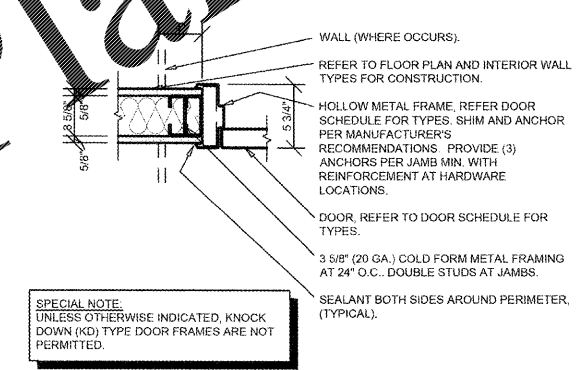
GENERAL NOTES

- (A) REFER TO PROJECT MANUAL FOR ADDITIONAL REQUIREMENTS.
- (B) REFER TO BUILDING CODE SUMMARY FOR PROJECT STRUCTURAL DESIGN CRITERIA. DOOR FRAMING AND ANCHORING SYSTEMS SHALL BE DESIGNED BY MANUFACTURER TO CONFORM TO PERFORMANCE AND TESTING REQUIREMENTS SPECIFIED.
- (C) REFER TO FLOOR PLAN, ELEVATIONS, AND SECTIONS FOR ADDITIONAL REQUIREMENTS.
- (D) REFER TO EXTERIOR AND INTERIOR FINISH SCHEDULES FOR COLORS. PERIMETER SEALANT COLOR TO MATCH FRAME COLOR UNLESS OTHERWISE INDICATED.



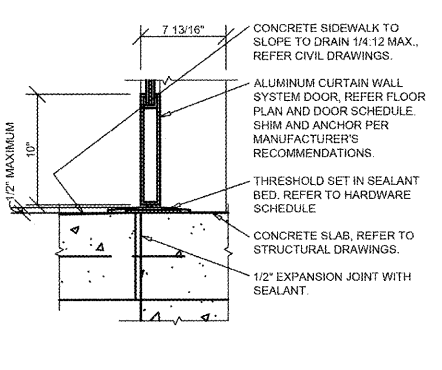
7 HEAD DETAIL

A5.1 SCALE: 1 1/2" = 1'-0"



8 JAMB DETAIL

A5.1 SCALE: 1 1/2" = 1'-0"

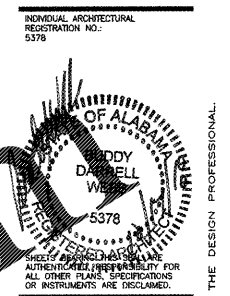


9 SILL DETAIL

A5.1 SCALE: 1 1/2" = 1'-0"

DOOR HARDWARE SCHEDULE

- HARDWARE NOTES:
 1. ALL HARDWARE TO BE ADA AND ANSI COMPLIANT.
 2. VERIFY COMPATIBILITY OF HARDWARE SPECIFIED. NOTIFY ARCHITECT OF INCOMPATIBILITY ISSUES PRIOR TO ORDERING AND INSTALLATION.
- SET NO. 1 (NOT USED)
- SET NO. 2 (DR. 1)
 6 HINGES: BB1191 X 4 1/2" X 4 1/2" X US320 X NRP.
 1 CYLINDER (RHR DOOR), 20-057 X 626 - "E" KEYWAY (REMOVABLE CORE).
 PROVIDE (2) SECURITY KEYS, (1) CORE KEY, (1) BITTED.
 1 EXIT PANIC (RHR DOOR): 9300B X 426 X 689 - PRTO3L X 630 (THROUGH SEX BOLT MOUNTING).
 4 SURFACE BOLTS (LHR DOOR): 1592 X 626.
 2 CLOSERS: 8618DST X SNB1 X 689 (ADJ. TO 8.5 LBS.) (THROUGH SEX BOLT MOUNTING).
 1 OVERLAPPING STRIKE PLATE (RHR DOOR): 1609 X 63 (STRAIGHT W/ PIN AND SEX BOLT).
 1 LATCH GUARD (RHR DOOR): LG100Z/SF X 626.
 2 KICK PLATES: 1905 X 8" X 34" X 626.
 1 DOOR VIEWER (RHR DOOR): 688 - 190 - 626.
 1 SET PERIMETER GASKETS: C88D X LENGTH REQUIRED.
 2 DOOR BOTTOM SEALS: 31321 X LENGTH REQUIRED.
 1 THRESHOLD: 31321 X LENGTH REQUIRED.
- SET NO. 3 (NOT USED)
- SET NO. 4 (NOT USED)
- SET NO. 5 (DR. 2, 3)
 3 HINGES: BB1191 X 4 1/2" X 4 1/2" X US26D.
 1 SET PUSHER: 1570C X 107 X 70C X US26D.
 1 CLOSER: 3077SCNS X 686 - THRU MOUNTING WITH SEX BOLTS (ADJUST TO 5 LBS.).
 1 KICK PLATE: K1050 X 10" X 34" X US32D.
- SET NO. 6 (NOT USED)



O'Reilly AUTO PARTS
 CORPORATE OFFICES
 233 SOUTH PATTERSON
 SPRINGFIELD, MISSOURI 65802
 (417) 862-2674 TELEPHONE

PROJECT: (ADDITION)
O'REILLY AUTO PARTS STORE
 1040 SOUTH MCKENZIE STREET
 FOLEY, ALABAMA

Buddy Webb, NCARB, AIA
Architect - Consultant
 3057 EAST CAIRO
 SPRINGFIELD, MISSOURI 65802
 (417) 877-1385 TELEPHONE
 (417) 877-8736 FAX

DRAWN BY: KB
 CHECKED BY: RV
 DATE: 09/28/18
 REVISION:
 PROJECT NUMBER: FOL-1133
 SHEET NUMBER:

A5.1

Order Plans @ WWW.LDPLANS.COM

REPRODUCTION PROHIBITED WITHOUT THE EXPRESSED WRITTEN CONSENT OF THE DESIGN PROFESSIONAL. © COPYRIGHT 2018