

Order Plans

WWW.LDILine.com

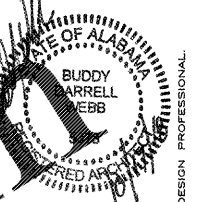
GENERAL NOTES

- (A) REFER TO PROJECT MANUAL FOR ADDITIONAL REQUIREMENTS.
- (B) DIMENSIONS ARE TO ROUGH FACE OF CONCRETE, MASONRY, FRAMING, OR CENTER LINE OF STRUCTURE UNLESS OTHERWISE INDICATED.
- (C) REFER TO INTERIOR FINISH SCHEDULES FOR MATERIAL TYPE, COLORS AND FINISHES.

KEY NOTES

- (1) 3 5/8" (20 GA.) COLD FORM METAL FRAMING AT 24" O.C. REFER TO INTERIOR WALL TYPES FOR ADDITIONAL REQUIREMENTS.
- (2) 6" (600S-62-54) COLD FORM METAL CEILING JOIST FRAMING AT 24" O.C.
- (3) 1/2" TYPE "X" GYPSUM BOARD. REFER TO INTERIOR WALL TYPES AND FOR ADDITIONAL REQUIREMENTS.
- (4) GYPSUM BOARD CORNER BEAD CONTINUOUS.
- (5) 1X4 VENEER TRIM (PAINT GRADE PINE) ATTACHED TO METAL STUD FRAMING WITH TECH 12 SCREWS AT 24" O.C. SET FLUSH. PAINT EXPOSED SURFACES TO MATCH WALL FINISH.
- (6) 6" UNFACED SOUND BATT INSULATION.
- (7) 3 1/2" UNFACED SOUND BATT INSULATION.
- (8) FINISH FLOORING AND BASE, REFER TO INTERIOR FINISH SCHEDULE FOR TYPES AND LOCATIONS.
- (9) PORTABLE FIRE EXTINGUISHER MOUNTED AT 42" ABOVE FINISH FLOOR TO CENTERLINE OF EXTINGUISHER. FIRE EXTINGUISHERS SHALL BE UL LISTED ABC TYPE, WITH 10 LBS. CAPACITY. MOUNTING BRACKET QUICK RELEASE TYPE. REFER TO FLOOR PLAN FOR LOCATIONS. PROVIDE BLOCKING AS REQUIRED FOR MOUNTING.

PROFESSIONAL ARCHITECTURAL REGISTERED ARCHITECT NO. 5378



SHEETS BEARING THIS SEAL ARE AUTHENTICATED. RESPONSIBILITY FOR ALL OTHER PLANS, SPECIFICATIONS OR INSTRUMENTS ARE DISCLAIMED.

O'Reilly AUTO PARTS
CORPORATE OFFICES
233 SOUTH PATTERSON
SPRINGFIELD, MISSOURI 65802
(417) 862-2674 TELEPHONE

PROJECT: (ADDITION)
O'REILLY AUTO PARTS STORE
1040 SOUTH MCKENZIE STREET
FOLEY, ALABAMA

Buddy Webb, NCARB, AIA
Architect - Consultant
3057 EAST CAIRO
SPRINGFIELD, MISSOURI 65802
(417) 877-1385 TELEPHONE
(417) 877-9736 FAX

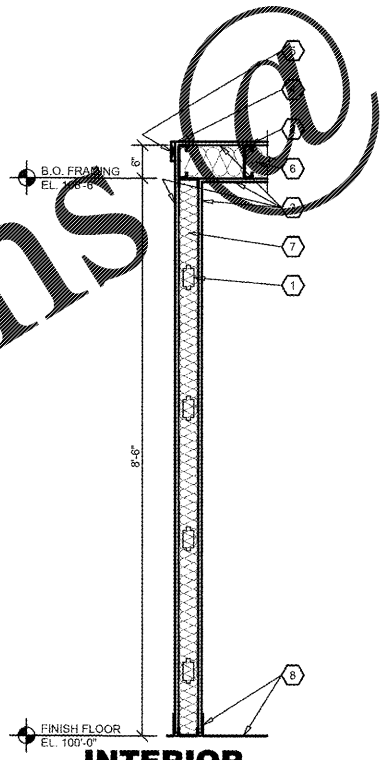


DRAWN BY: **KB** CHECKED BY: **RV**
DATE: **09/28/18**
REVISION:

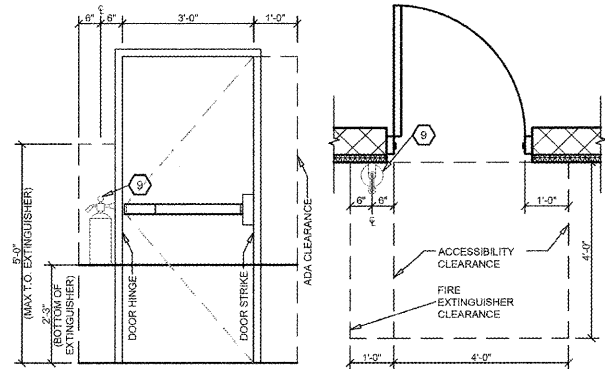
PROJECT NUMBER:
FOL-1133

SHEET NUMBER

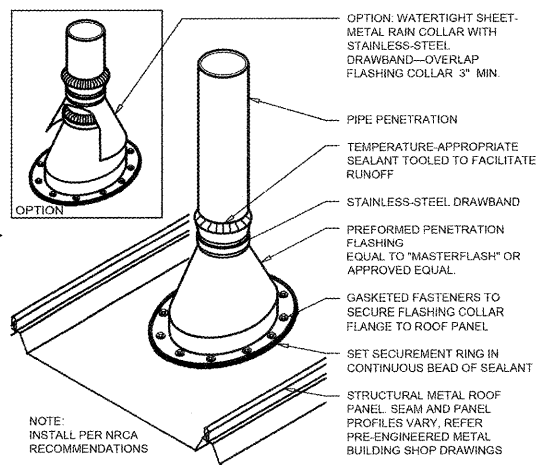
A4.2



1 INTERIOR WALL SECTION
A4.2 SCALE: 3/4" = 1'-0"



2 FIRE EXTINGUISHER DETAIL
A4.2 SCALE: 1/2" = 1'-0"



3 VENT THRU ROOF DETAIL
A4.2 NOT TO SCALE

REPRODUCTION PROHIBITED WITHOUT THE EXPRESSED WRITTEN CONSENT OF THE DESIGN PROFESSIONAL. COPYRIGHT 2018 - DESIGNS, DRAWINGS AND SPECIFICATIONS ARE INSTRUMENTS OF SERVICE AND ARE THE PROPERTY OF THE DESIGN PROFESSIONAL.