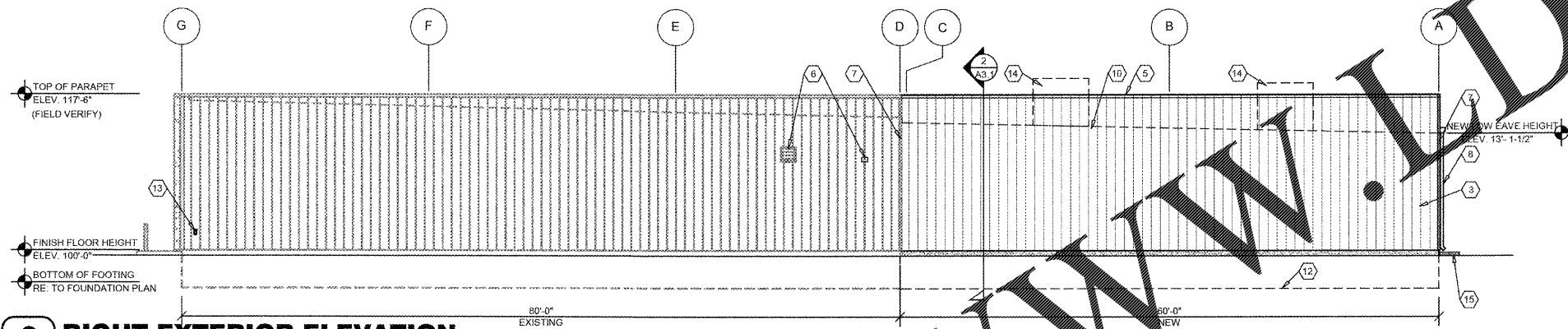


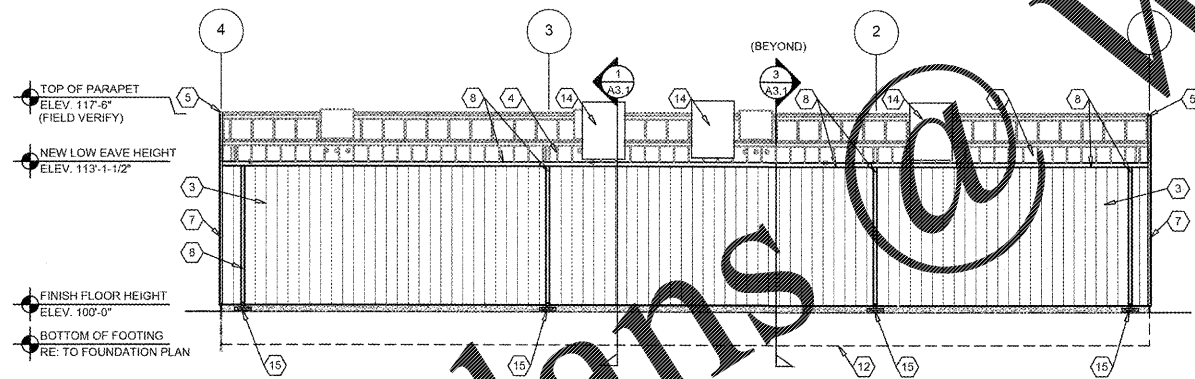
1 FRONT EXTERIOR ELEVATION

A2.1 SCALE: 1/8" = 1'-0"



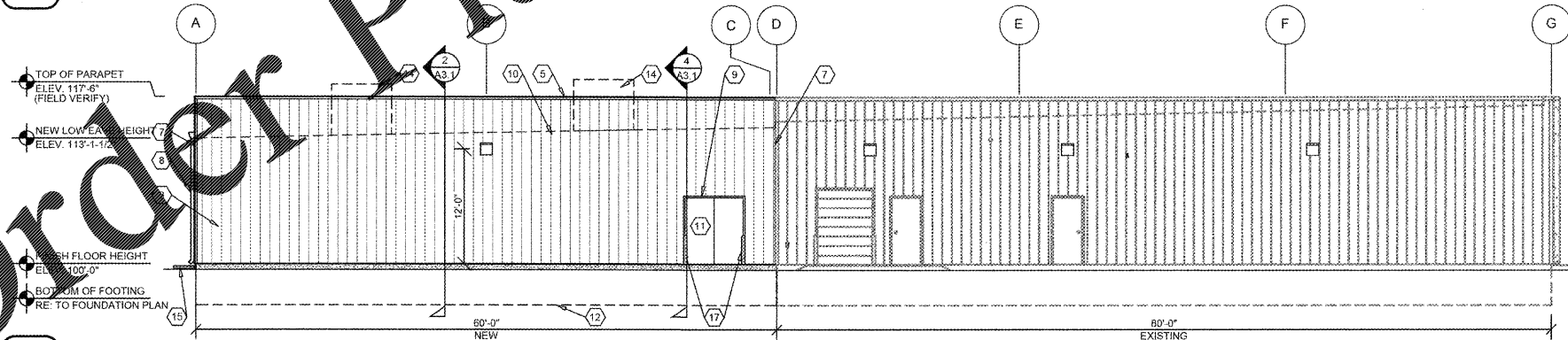
2 RIGHT EXTERIOR ELEVATION

A2.1 SCALE: 1/8" = 1'-0"



3 REAR EXTERIOR ELEVATION

A2.1 SCALE: 1/8" = 1'-0"



4 LEFT EXTERIOR ELEVATION

A2.1 SCALE: 1/8" = 1'-0"

GENERAL NOTES

- (A) REFER TO PROJECT MANUAL FOR ADDITIONAL REQUIREMENTS.
- (B) REFER TO CIVIL DRAWINGS FOR ADDITIONAL REQUIREMENTS.
- (C) REFER TO PLUMBING, MECHANICAL, AND ELECTRICAL DRAWINGS FOR SYSTEM TYPES AND ADDITIONAL REQUIREMENTS.
- (D) REFER TO EXTERIOR FINISH SCHEDULE FOR MATERIAL TYPES.
- (E) REFER TO PRE-ENGINEERED METAL BUILDING SHOP DRAWINGS FOR ADDITIONAL REQUIREMENTS.
- (F) REFER TO SCOPE OF WORK SCHEDULE FOR ADDITIONAL REQUIREMENTS.

KEY NOTES

- (1) NOT USED
- (2) NOT USED
- (3) PRE-ENGINEERED METAL BUILDING EXTERIOR INSULATED WALL PANEL SYSTEM.
- (4) NEW PRE-ENGINEERED METAL BUILDING SHEET METAL ROOFING SYSTEM.
- (5) PRE-ENGINEERED METAL BUILDING SHEET METAL FLASHING WITH VERTICAL FACE TO MATCH EXISTING
- (6) MECHANICAL WALL PENETRATIONS, REFER TO MECHANICAL DRAWINGS, PROVIDE FRAMING, FLASHING, AND SEALANT AS REQUIRED.
- (7) PRE-ENGINEERED METAL BUILDING SHEET METAL WALL PANEL TRIM.
- (8) PRE-ENGINEERED METAL BUILDING SHEET METAL GUTTER AND DOWNSPOUT SYSTEM.
- (9) PRE-ENGINEERED METAL BUILDING SHEET METAL DOOR TRIM.
- (10) LINE OF ROOF BEYOND WITH 1/4":12" SLOPE MINIMUM
- (11) EXTERIOR DOOR AND FRAME SYSTEM. REFER TO FLOOR PLAN AND DOOR SCHEDULE FOR TYPES.
- (12) APPROXIMATE LINE OF NEW FOUNDATION, REFER TO STRUCTURAL DRAWINGS.
- (13) NEW HOSE BIB, REFER TO PLUMBING DRAWINGS.
- (14) NEW MECHANICAL ROOF TOP UNIT, REFER TO MECHANICAL DRAWINGS.
- (15) CONCRETE SPLASH BLOCK INSTALL AT EACH DOWNSPOUT.
- (16) NEW SURFACE MOUNTED SIGN OWNER FURNISHED AND INSTALLED TO REPLACE EXISTING. PROVIDE BACKING FOR MOUNTING AND ROUGH-IN ELECTRICAL. COORDINATE REQUIREMENTS WITH OWNER. REFER TO SHEET SG2.1.
- (17) STEEL BOLLARDS, REFER TO CIVIL AND STRUCTURAL DRAWINGS.

EXTERIOR FINISH SCHEDULE

PRE-ENGINEERED METAL BUILDING WALL PANEL SYSTEMS

KEY NOTE NO. 1:
(NOT USED)

KEY NOTE NO. 2:
(NOT USED)

KEY NOTE NO. 3:
TYPE: EXTERIOR INSULATED WALL PANEL
MFG: (REFER TO PRE-ENGINEERED METAL BUILDING SHOP DRAWINGS)
SERIES: EQUAL TO BUTLER BUILDING "SHADOWWALL"
FINISH: PREFINISHED
COLOR: EQUAL TO BUTLER BUILDING "COOL BIRCH WHITE" (MATCH EXISTING)

FLASHING AND SHEET METAL

KEY NOTE NO. 4:
TYPE: STANDING SEAM ROOFING SYSTEM
MFG: (REFER TO PRE-ENGINEERED METAL BUILDING SHOP DRAWINGS)
COLOR: GALVALUME

KEY NOTE NO. 5:
TYPE: CAP FLASHING AT WALL PANELS
MFG: (REFER TO PRE-ENGINEERED METAL BUILDING SHOP DRAWINGS)
FINISH: PREFINISHED
COLOR: EQUAL TO BUTLER BUILDING "COOL EMERALD GREEN" (MATCH EXISTING)

KEY NOTE NO. 6:
(NOT USED)

KEY NOTE NO. 7:
TYPE: WALL PANEL TRIM
MFG: (REFER TO PRE-ENGINEERED METAL BUILDING SHOP DRAWINGS)
FINISH: PREFINISHED
COLOR: EQUAL TO BUTLER BUILDING "COOL BIRCH WHITE" (MATCH EXISTING)

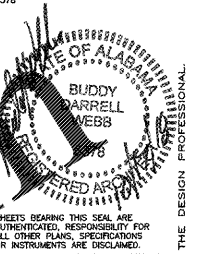
KEY NOTE NO. 8:
TYPE: GUTTER AND DOWNSPOUTS
MFG: (REFER TO PRE-ENGINEERED METAL BUILDING SHOP DRAWINGS)
FINISH: PREFINISHED
COLOR: EQUAL TO BUTLER BUILDING "COOL BIRCH WHITE"

KEY NOTE NO. 9:
TYPE: DOOR TRIM
MFG: (REFER TO PRE-ENGINEERED METAL BUILDING SHOP DRAWINGS)
FINISH: PREFINISHED
COLOR: EQUAL TO BUTLER BUILDING "COOL BIRCH WHITE"

DOORS AND WINDOWS

KEY NOTE NO. 10:
TYPE: STEEL DOORS AND FRAMES (DOOR NO. 1)
MFG: (OWNER FURNISHED / CONTRACTOR INSTALLED)
FINISH: FACTORY PREFINISHED
COLOR: SHERWIN WILLIAMS "HUNT CLUB" SW6468 (SEMI-GLOSS)

INDIVIDUAL ARCHITECTURAL REGISTRATION NO. 5378



O'Reilly AUTO PARTS
CORPORATE OFFICES
233 SOUTH PATTERSON
SPRINGFIELD, MISSOURI 65802
(417) 862-2674 TELEPHONE

PROJECT: (ADDITION)
O'REILLY AUTO PARTS STORE
1040 SOUTH MCKENZIE STREET
FOLEY, ALABAMA

Buddy Webb, NCARB, AIA
Architect - Consultant
3057 EAST CAIRO
SPRINGFIELD, MISSOURI 65802
(417) 877-1385 TELEPHONE
(417) 877-9736 FAX

DRAWN BY: **KB** CHECKED BY: **RV**
DATE: **09/28/18**

REVISION:
PROJECT NUMBER: **FOL-1133**

SHEET NUMBER: **A2.1**

COPYRIGHT 2018 BY DESIGN. DRAWINGS AND SPECIFICATIONS ARE INSTRUMENTS OF SERVICE AND ARE THE PROPERTY OF THE DESIGN PROFESSIONAL. REPRODUCTION WITHOUT THE EXPRESSED WRITTEN CONSENT OF THE DESIGN PROFESSIONAL IS PROHIBITED.