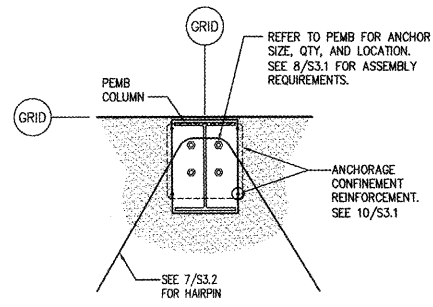
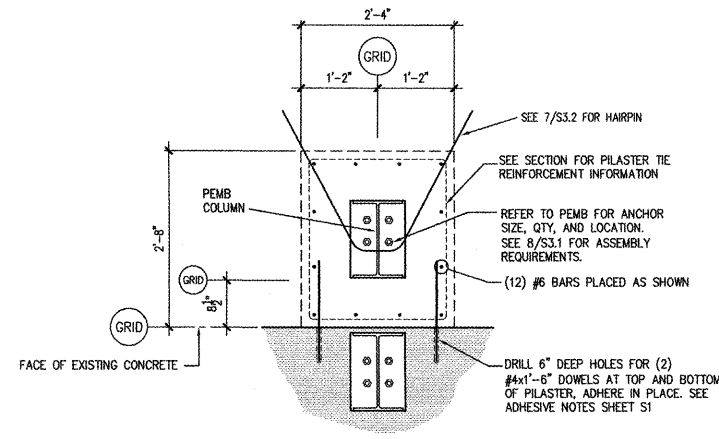


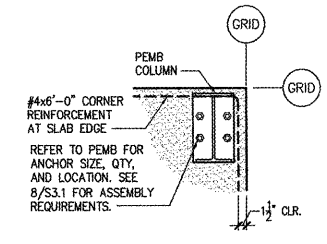
Order Plans @



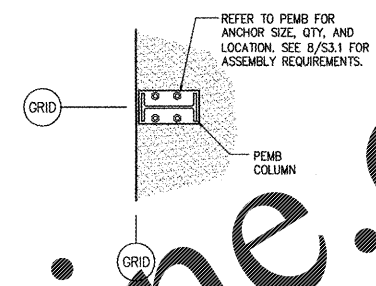
1 DETAIL
S3.2 SCALE: 3/4" = 1'-0"



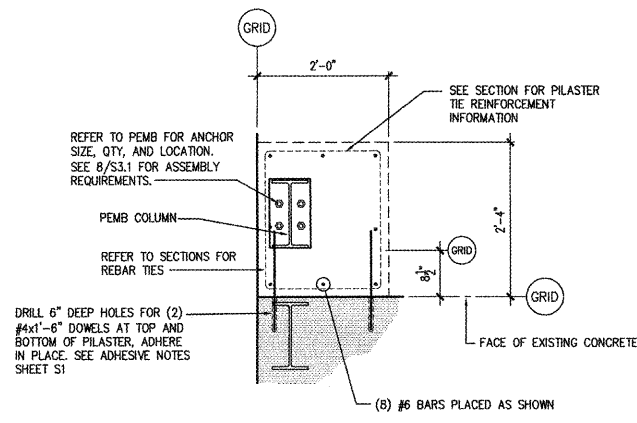
2 DETAIL
S3.2 SCALE: 3/4" = 1'-0"



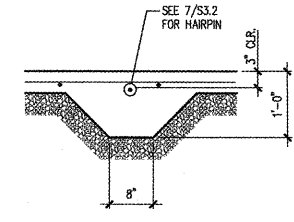
3 DETAIL
S3.2 SCALE: 3/4" = 1'-0"



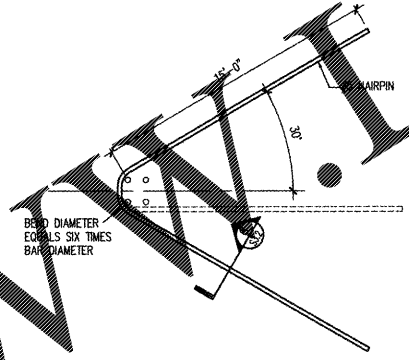
4 DETAIL
S3.2 SCALE: 3/4" = 1'-0"



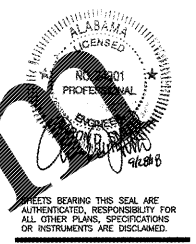
5 DETAIL
S3.2 SCALE: 3/4" = 1'-0"



6 DETAIL
S3.2 SCALE: 3/4" = 1'-0"



7 TYPICAL HAIRPIN DETAIL
S3.2 SCALE: NONE



O'Reilly AUTO PARTS
CORPORATE OFFICES
233 SOUTH PATTERSON
SPRINGFIELD, MISSOURI 65802
(417) 862-2674 TELEPHONE

PROJECT: BUILDING ADDITION
O'REILLY AUTO PARTS STORE
1040 SOUTH MCKENZIE STREET
FOLEY, ALABAMA
FOUNDATION DETAILS

JS Smith Consulting Engineers
Alabama State Certificate of Authorization CA-2328-E
Aron D. Smith P.E., 2601
P.O. Box 117524
PHONE: 477-624-0444 FAX: 477-624-0400



DRAWN BY: BTJ CHECKED BY: AS
DATE: 9/28/18
REVISION:
PROJECT NUMBER: FOL
SHEET NUMBER

S3.2

REPRODUCTION PROHIBITED WITHOUT THE EXPRESSED WRITTEN CONSENT OF THE DESIGN PROFESSIONAL. COPYRIGHT 2018 BY JS SMITH CONSULTING ENGINEERS. ALL RIGHTS RESERVED.