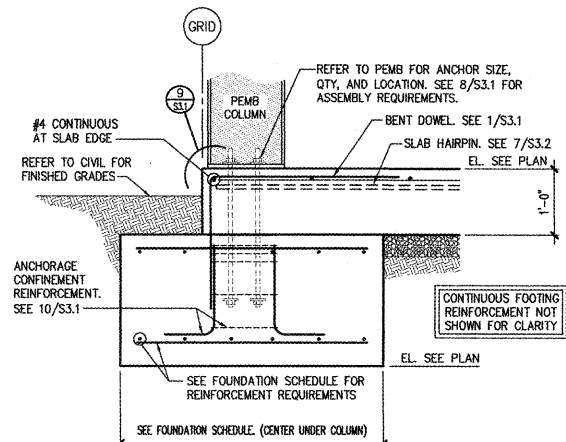
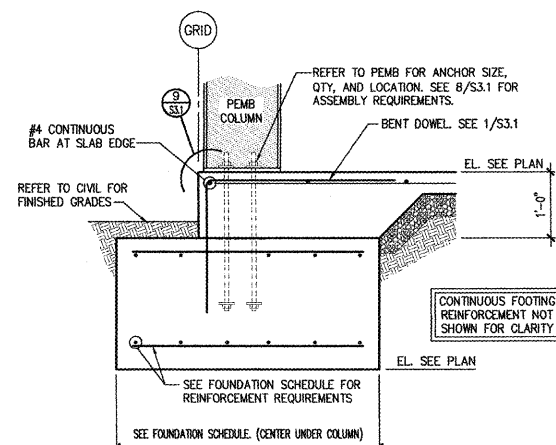


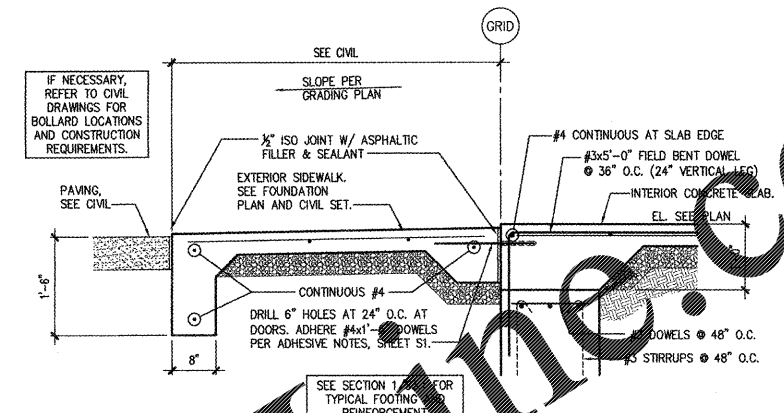
**1 SECTION**  
S3.1 SCALE: 3/4" = 1'-0"



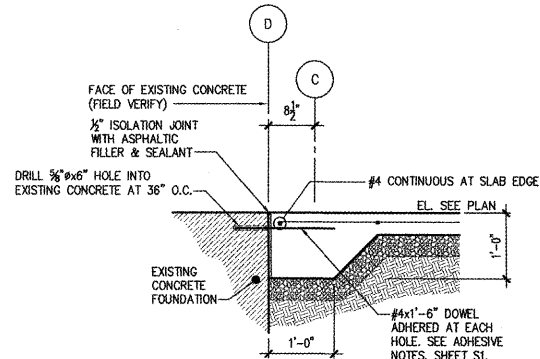
**2 SECTION**  
S3.1 SCALE: 3/4" = 1'-0"



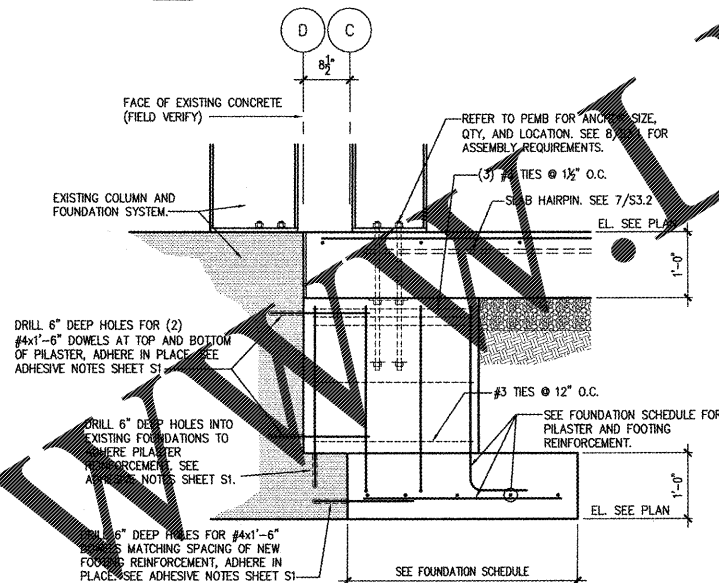
**3 SECTION**  
S3.1 SCALE: 3/4" = 1'-0"



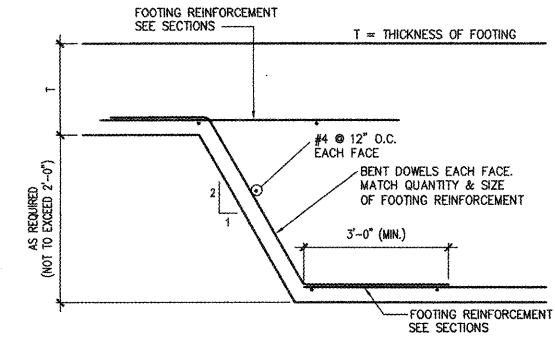
**4 SECTION**  
S3.1 SCALE: 3/4" = 1'-0"



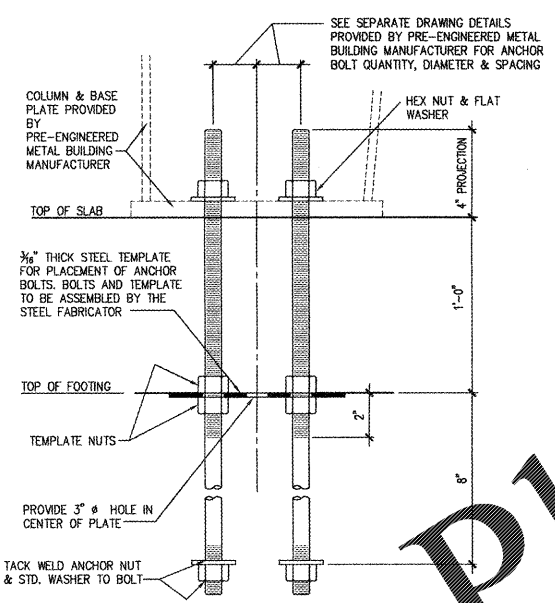
**5 SECTION**  
S3.1 SCALE: 3/4" = 1'-0"



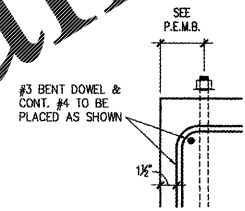
**6 SECTION**  
S3.1 SCALE: 3/4" = 1'-0"



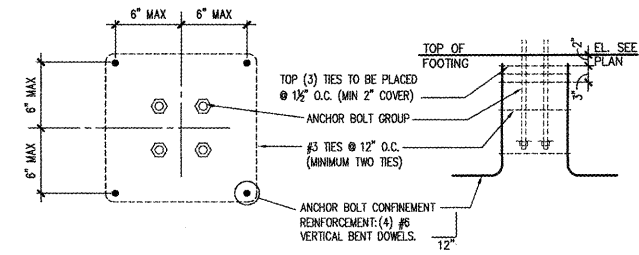
**7 TYPICAL STEPPED FOOTING**  
S3.1 SCALE: 3/4" = 1'-0"



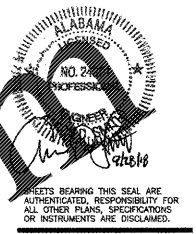
**8 SHOP FABRICATED ANCHOR ASSEMBLY**  
S3.1 SCALE: NONE (DO NOT SHIP UNASSEMBLED TO FIELD)



**9 DETAIL**  
S3.1 SCALE: 3/4" = 1'-0"



**10 SECTION**  
S3.1 SCALE: VARIES



**O'Reilly AUTO PARTS**  
CORPORATE OFFICES  
233 SOUTH PATTERSON  
SPRINGFIELD, MISSOURI 65802  
(417) 862-2674 TELEPHONE

PROJECT: BUILDING ADDITION  
**O'REILLY AUTO PARTS STORE**  
1040 SOUTH MCKENZIE STREET  
FOLEY, ALABAMA  
**FOUNDATION DETAILS**

**JS Smith Consulting Engineers**  
Alabama State Certificate of Authorization CA-2285-LE  
1000 South Patterson  
Springfield, Missouri 65802  
PHONE: 417-862-0444 FAX: 417-862-0450



DRAWN BY: BTJ CHECKED BY: AS  
DATE: 9/28/18  
REVISION:  
PROJECT NUMBER:  
**FOL**  
SHEET NUMBER

**S3.1**

REPRODUCTION PROHIBITED WITHOUT THE EXPRESSED WRITTEN CONSENT OF THE DESIGN PROFESSIONAL. DESIGNS, DRAWINGS AND SPECIFICATIONS ARE INSTRUMENTS OF SERVICE AND ARE THE PROPERTY OF THE DESIGN PROFESSIONAL.