

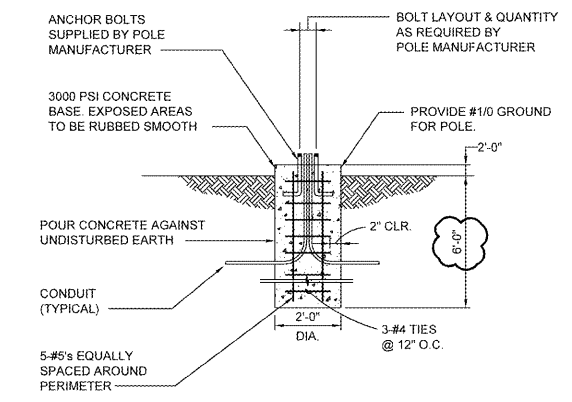
ELECTRICAL SITE PLAN KEYED NOTES:

- ① #8 AWG ENTIRE CIRCUIT. PROVIDE PHOTOCELL AND TIME CLOCK TO CONTROL THIS CIRCUIT.
- ② COORDINATE EXACT PLACEMENT WITH FLAG POLE HEIGHT. FIXTURES SHALL BE APPROXIMATELY 1/5 OF THE POLE HEIGHT FROM POLE. FIXTURES SHALL BE PLACED AT APPROXIMATELY 120 DEGREES AROUND POLE.
- ③ GRINDER PUMP. PROVIDE NEMA 3R DISCONNECT. COORDINATE EXACT DISCONNECT / CONTROLLER REQUIREMENTS, WIRE SIZE AND BREAKER WITH PUMP MANUFACTURER.

OLD U.S. HIGHWAY 1
R/W VARIES

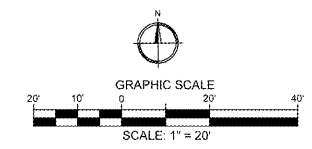
WINDERMERE DRIVE
50' R/W

BUILDING PAD
FF.EL. = 335.50
PROPOSED BUILDING
FF.EL. = 335.50



② POLE BASE - METAL POLE DETAIL
NO SCALE

① ELECTRICAL SITE PLAN
SCALE: 1" = 20'



UTILITY WARNING:
The underground utilities shown have been located from field survey information and existing drawings. The engineer makes no guarantee that the underground utilities shown comprise all such utilities in the area, either in service or abandoned. The engineer further does not warrant that the underground utilities shown are in the exact location indicated although he does certify that they are located as accurately as possible from information available. The engineer has not physically located the underground utilities.

UTILITIES PROTECTION CENTER
GEORGIA 811
Call before you dig.
THREE WORKING DAYS BEFORE YOU DIG
(GEORGIA - 1-800-282-7411)

JLA
1980
JOHNSON, LACHOBER & ASSOCIATES, P.C.
2820 OLD HIGHWAY 1, HEPHIZIBAH, SC
TEL (706) 724-5736 • TEL (843) 619-4656
FAX (706) 724-3935
WWW.THEJLAGROUP.COM

CLIENT: AUGUSTA, GA
535 TELFAIR STREET, AUGUSTA, GA 30901

PROJECT NAME: FIRE STATION #20

PROJECT LOCATION: 2820 OLD HIGHWAY 1, HEPHIZIBAH, GEORGIA 30815

REV	DATE	BY	ISSUED FOR	DESCRIPTION
0	12/21/18	FAK	ISSUED FOR BID	

PROJECT NO: 3042.1604
DRAWN BY: JAP/JFP
CHECKED BY: FAK
DATE: 8/10/18

SHEET TITLE:
ELECTRICAL SITE PLAN

SCALE: 1" = 20'
DRAWING NO: **ES101**
REV: 0

Order Plans

WWW.LDILine.com