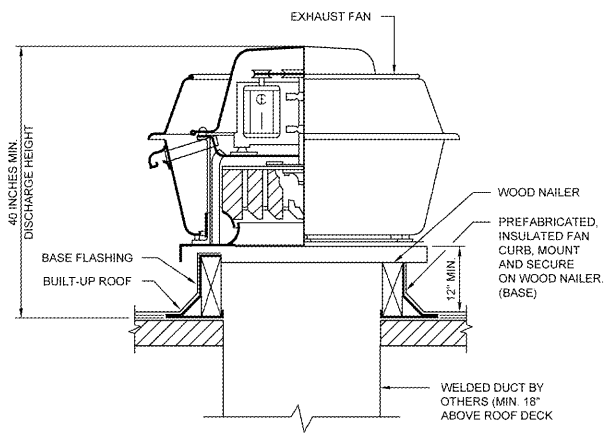


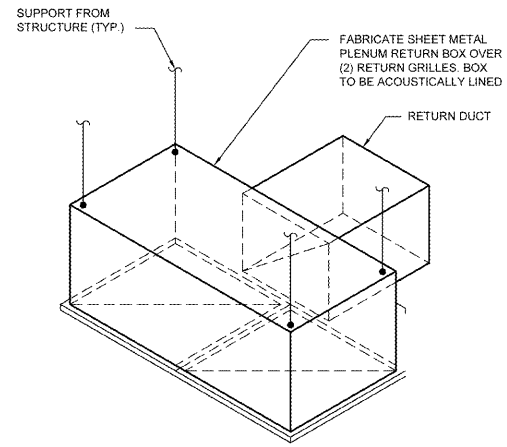
DETAIL - KITCHEN HOOD
NO SCALE

1
M-203



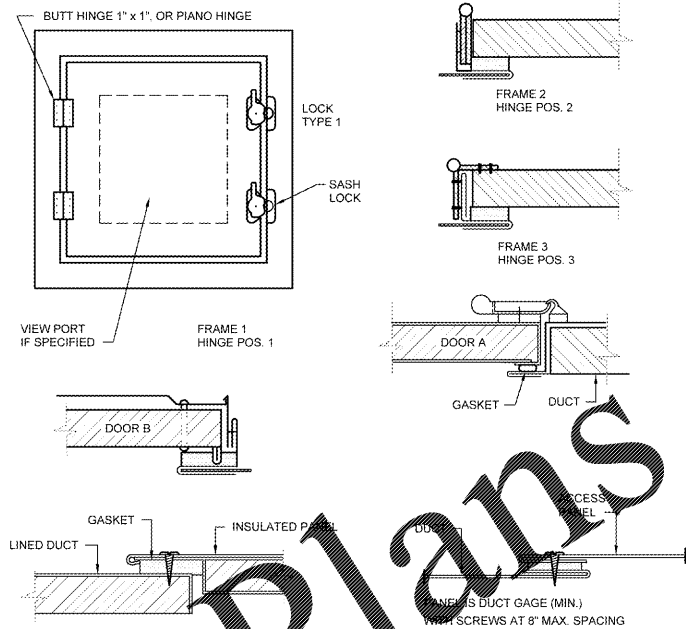
ROOF MOUNTED KITCHEN EXHAUST FAN DETAIL
NO SCALE

2
M-203



DETAIL - TWO GRILLE RETURN PLENUM BOX
NO SCALE

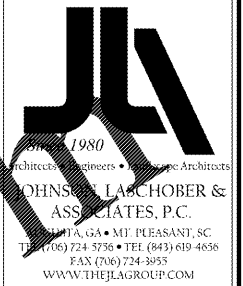
3
M-203



DUCT CLASS	DOOR SIZE	NO. HINGES	NO. LOCKS	METAL GAGE		
				FRAME	DOOR	BACK
2" W.G.	12" x 12"	2	1-S	24	26	26
STAT.	16" x 16"	2	2-S	22	24	26
AND LESS	24" x 24"	3	2-S	22	22	26

DETAIL - DUCT ACCESS DOOR
NO SCALE

9
M-203



1980
Johnson, Lachober & Associates, P.C.
Architects, Engineers & Planners
101 W. Peachtree Street, N.E., Suite 1200
Atlanta, GA 30309
Tel: (404) 724-5736 • Tel: (843) 619-4656
Fax: (706) 724-3935
www.thejlagroup.com

CLIENT: AUGUSTA, GA
535 TELFAIR STREET, AUGUSTA, GA 30901

PROJECT NAME: **FIRE STATION #20**

PROJECT LOCATION: 2820 OLD HIGHWAY 1, HEPHIZIBAH, GEORGIA 30815

REV	DATE	BY	DESCRIPTION
0	12/21/18	MNB	ISSUED FOR BID

PROJECT NO:	3042.1604
DRAWN BY:	MNB
CHECKED BY:	CVW
DATE:	8/10/18
SHEET TITLE:	HVAC DETAILS

SCALE:	AS NOTED
DRAWING NO:	M-203
REV:	0

WWW.LDILine.com

@

Order Plans

K:\BATCH\BATCH\Station No. 20\M_DRAWING\Station No. 20.dwg Plot: 12/21/2018 3:20 PM By: Rich Booker