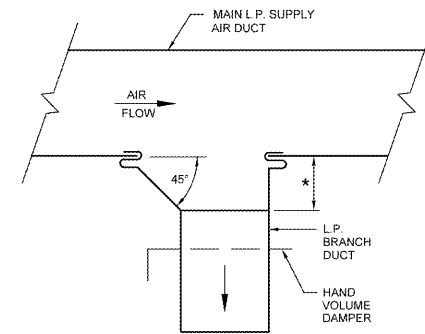


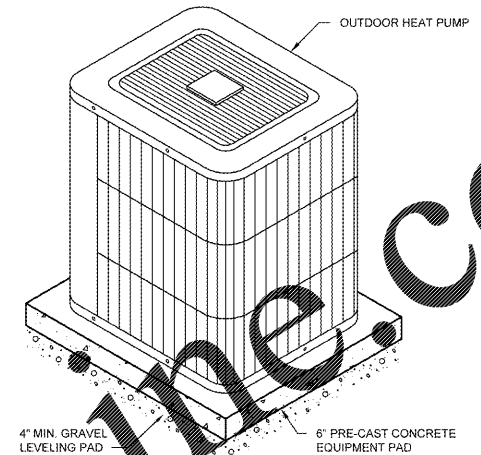
DETAIL - HORIZONTAL AIR HANDLING UNIT MOUNTING

NO SCALE



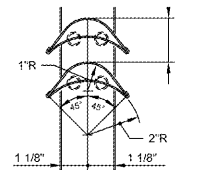
DETAIL - TYPICAL LOW PRESSURE BRANCH DUCT TAKE OFF

NO SCALE



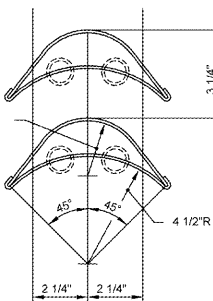
DETAIL - OUTDOOR HEAT PUMP ELEVATION

NO SCALE



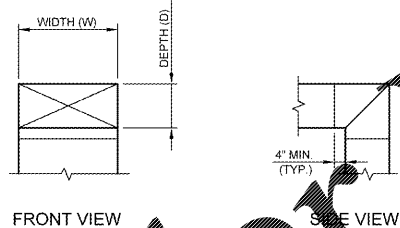
SMALL DOUBLE VANE ELBOW

USE FOR ELBOWS UP TO 36\"/>



LARGE DOUBLE VANE ELBOW

USE FOR ELBOWS 36\"/>



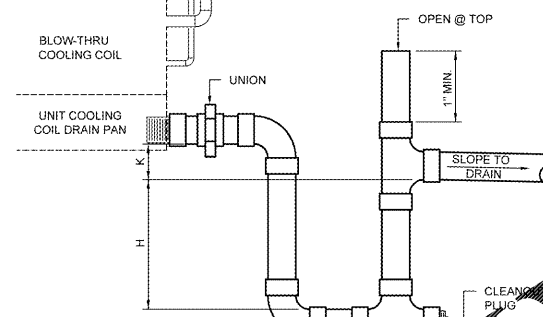
FRONT VIEW

SIDE VIEW

- NOTES:
1. ALL SQUARE OR RECTANGULAR ELBOWS SHALL HAVE ONE OF THE TWO TYPES OF DOUBLE VANE ELBOWS SHOWN ABOVE. SINGLE VANE ELBOWS WILL NOT BE PERMITTED UNLESS SPECIFICALLY INDICATED ON PLANS.
  2. VANE SHALL BE CONSTRUCTED, SUPPORTED AND FASTENED AS RECOMMENDED BY MANUFACTURER'S STANDARDS.
  3. ALL SQUARE OR RECTANGULAR ELBOWS SHOWN ON PLANS FOR RETURN AIR DUCT MAY BE MADE RADIUS ELBOWS IF WIDENING PERMITS RADIUS INSTALLATION.
  4. ALL SQUARE OR RECTANGULAR ELBOWS SHOWN ON PLANS FOR SUPPLY AIR DUCT MAY BE MADE RADIUS ELBOWS PROVIDED SLOPE PERMITS RADIUS INSTALLATION AND/OR THERE ISN'T AN OUTLET OR TAKE-OFF WITHIN 5D ON THE DOWNSTREAM SIDE OF THE ELBOW.

DETAIL - TYPICAL ELBOW

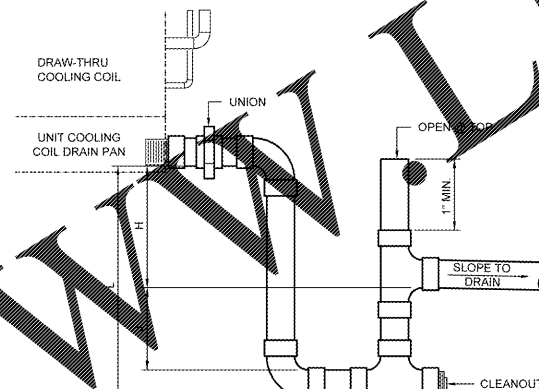
NO SCALE



- NOTES:
1. DRAIN LINE CONNECTION SIZE SAME AS UNIT DRAIN SIZE.
  2. EXTEND DRAIN PIPING TO SPECIFIED LOCATION ON HVAC PLAN.
  3. DRAIN LINE TO BE SUPPORTED EVERY 4\"/>

DETAIL - CONDENSATE DRAIN TRAP

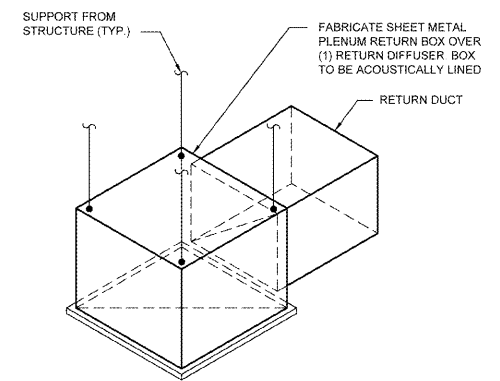
NO SCALE POSITIVE PRESSURE TRAP



- NOTES:
1. DRAIN LINE CONNECTION SIZE SAME AS UNIT DRAIN SIZE.
  2. EXTEND DRAIN PIPING TO SPECIFIED LOCATION ON HVAC PLAN.
  3. DRAIN LINE TO BE SUPPORTED EVERY 4\"/>

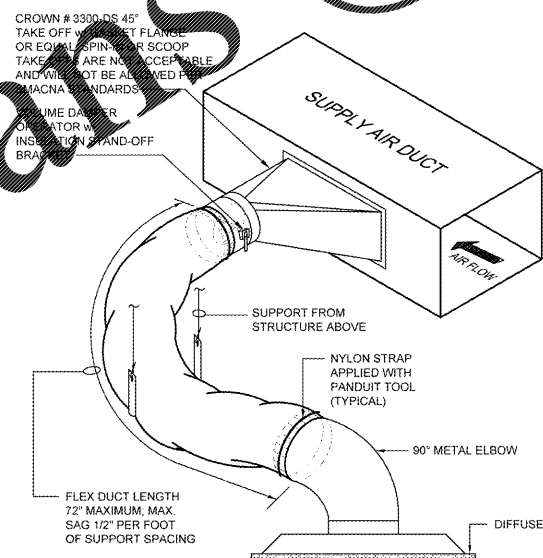
DETAIL - CONDENSATE DRAIN TRAP

NO SCALE NEGATIVE PRESSURE TRAP



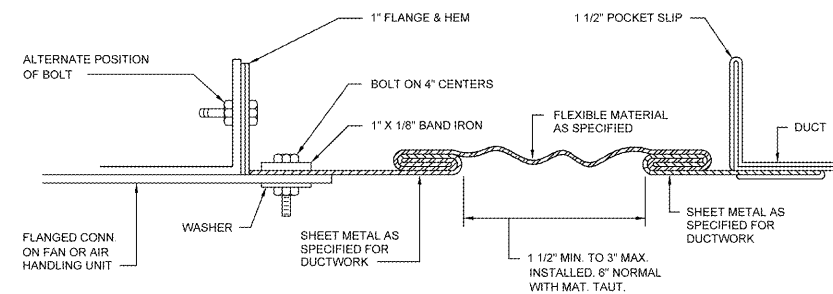
DETAIL - ONE GRILLE RETURN PLENUM BOX

NO SCALE



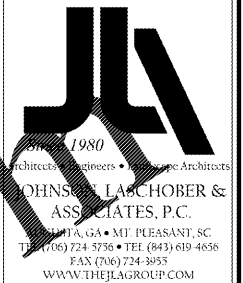
FLEX DUCT TAKE-OFF DETAIL

NO SCALE



RECTANGULAR FLEXIBLE CONNECTION DETAIL

NO SCALE



1980  
Johnson, Labchober & Associates, P.C.  
1000 W. GA. 404 • MT. PLEASANT, SC  
TEL: (706) 724-5736 • TEL: (843) 619-4656  
FAX: (706) 724-3935  
WWW.THEJLAGROUP.COM

CLIENT: AUGUSTA, GA  
535 TELFAIR STREET, AUGUSTA, GA 30901

PROJECT NAME: FIRE STATION #20

PROJECT LOCATION: 2820 OLD HIGHWAY 1, HEPHIZBAH, GEORGIA 30815

PROJECT NAME: AUGUSTA, GA  
535 TELFAIR STREET, AUGUSTA, GA 30901

PROJECT LOCATION: 2820 OLD HIGHWAY 1, HEPHIZBAH, GEORGIA 30815

NO.	DATE	BY	DESCRIPTION
0	12/21/18	MNB	ISSUED FOR BID

NO.	DATE	BY	DESCRIPTION
0	12/21/18	MNB	ISSUED FOR BID

PROJECT NO: 3042.1604  
DRAWN BY: MNB  
CHECKED BY: CVW  
DATE: 8/10/18

SHEET TITLE: HVAC DETAILS

SCALE:	AS NOTED
DRAWING NO:	M-202
REV:	0

SCALE: AS NOTED  
DRAWING NO: M-202  
REV: 0

JOHNSON, LABCHOWER & ASSOCIATES, P.C. 12/21/18

This document is the property of Johnson, Labchober & Associates, P.C. The unauthorized reproduction, copying or otherwise use of this document is strictly prohibited and any infringement thereupon may be subject to legal action.