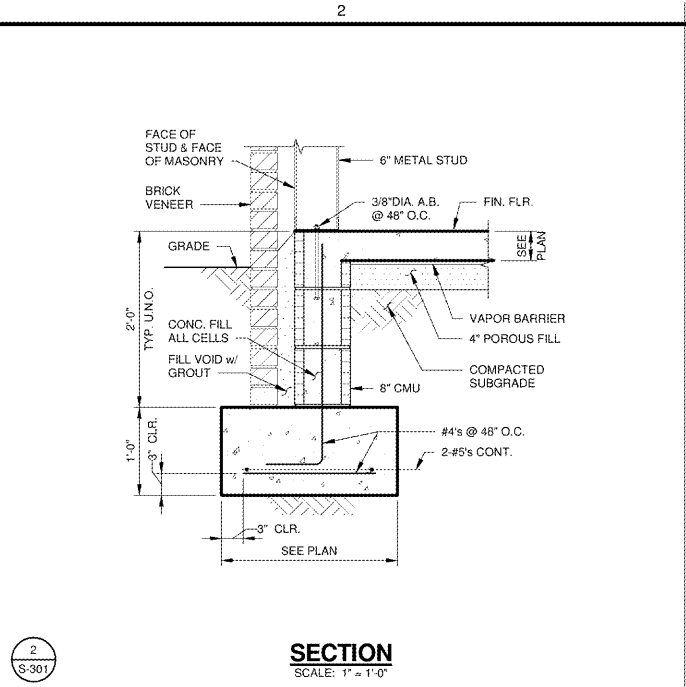
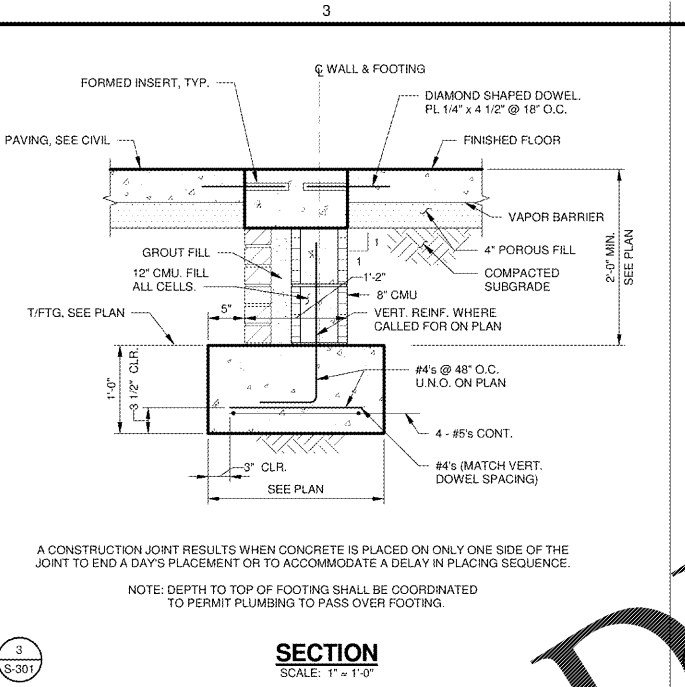


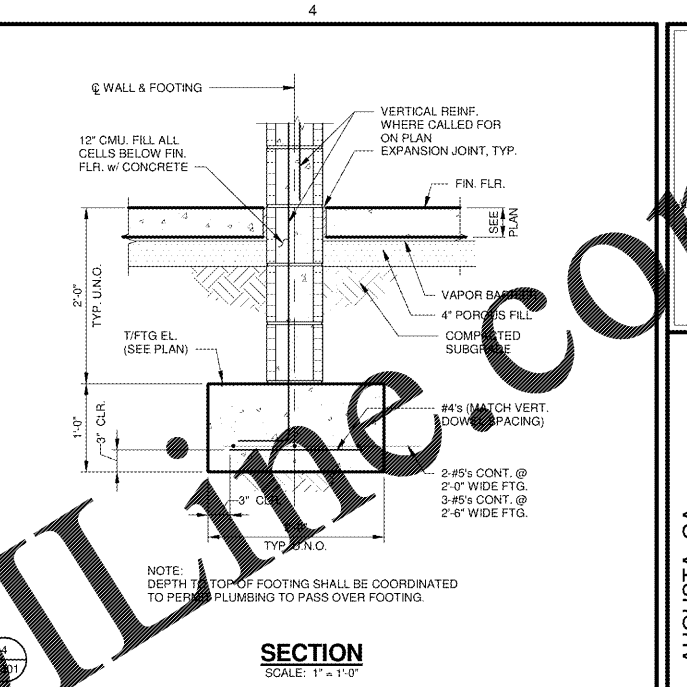
SECTION
SCALE: 1" = 1'-0"



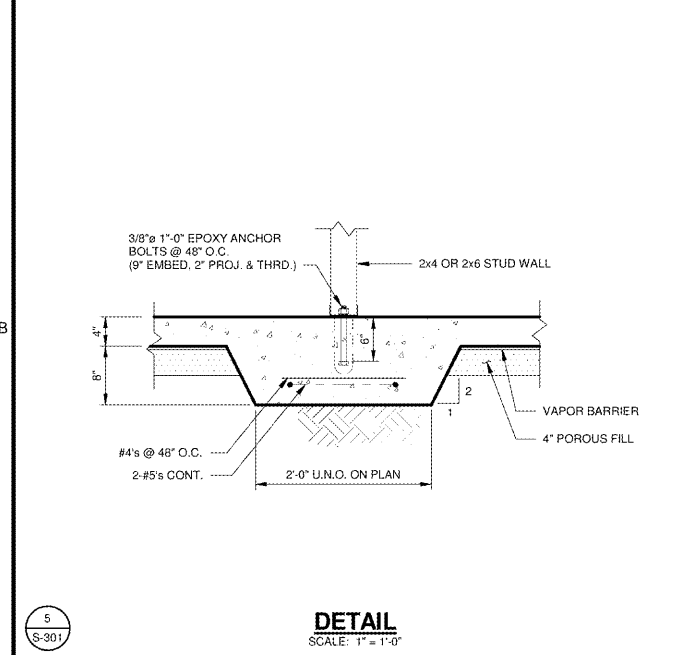
SECTION
SCALE: 1" = 1'-0"



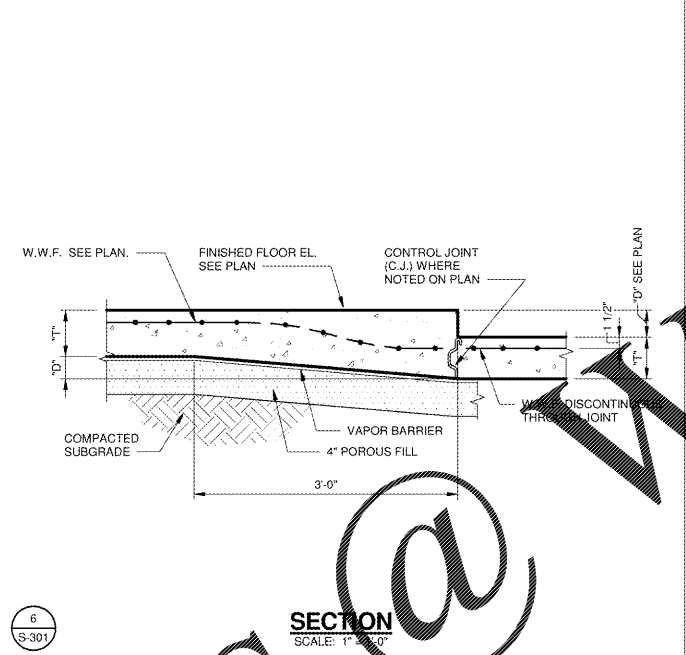
SECTION
SCALE: 1" = 1'-0"



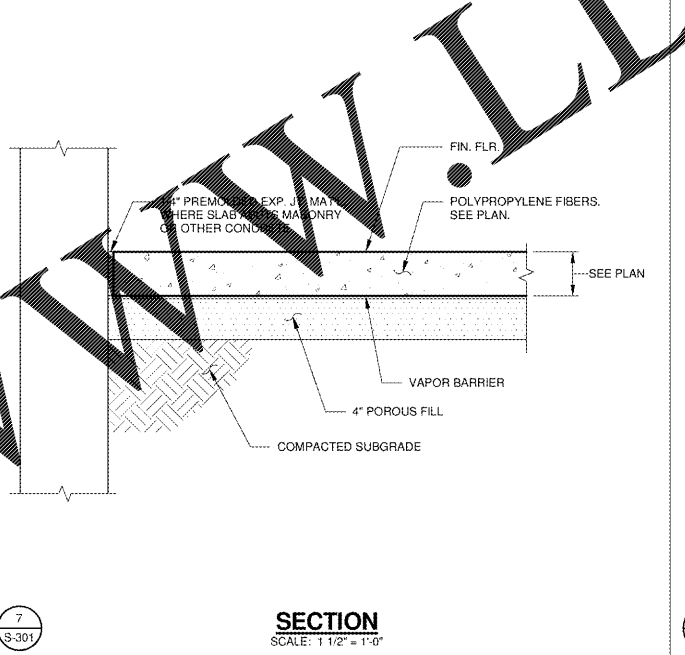
SECTION
SCALE: 1" = 1'-0"



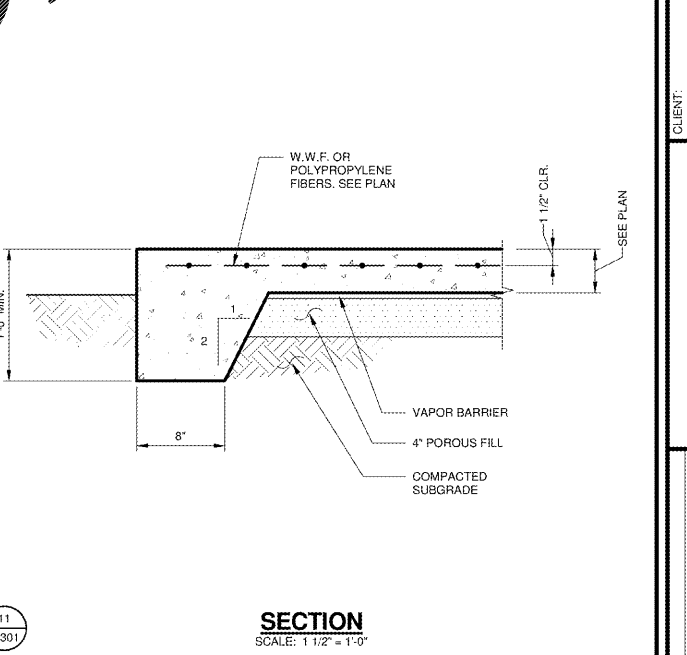
DETAIL
SCALE: 1" = 1'-0"



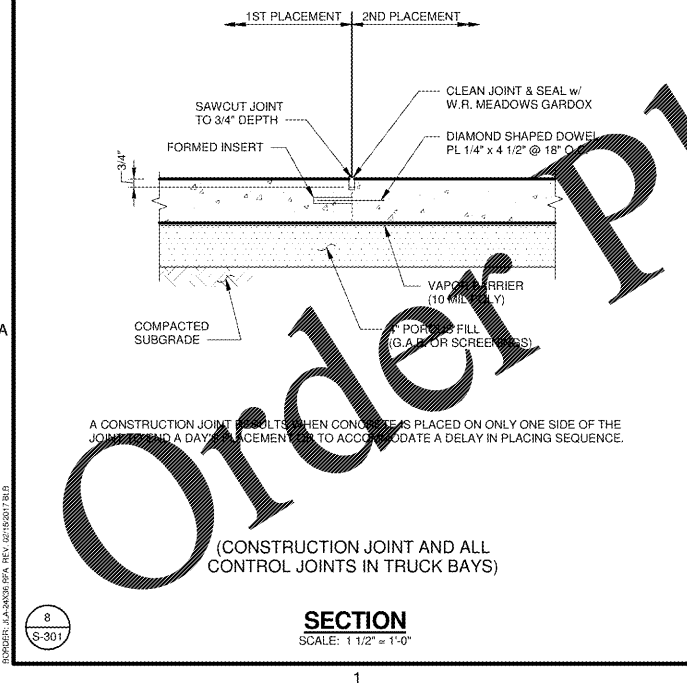
SECTION
SCALE: 1" = 1'-0"



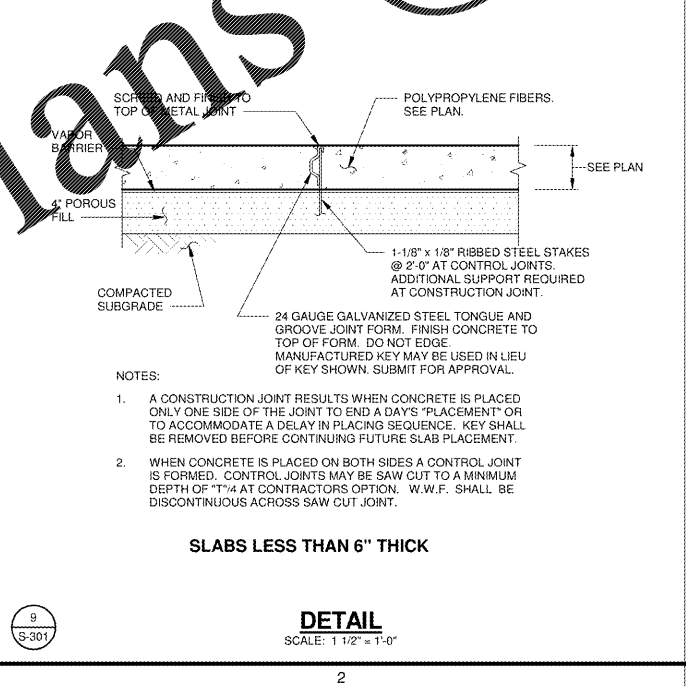
SECTION
SCALE: 1 1/2" = 1'-0"



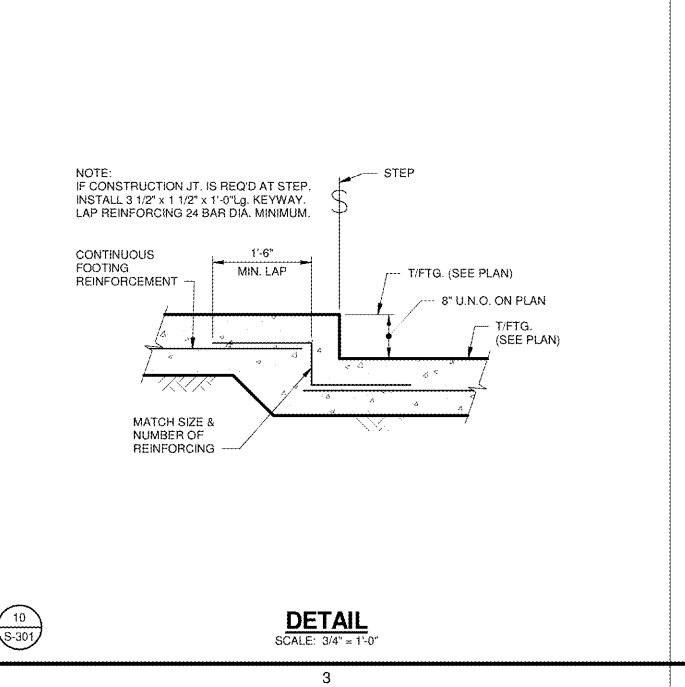
SECTION
SCALE: 1 1/2" = 1'-0"



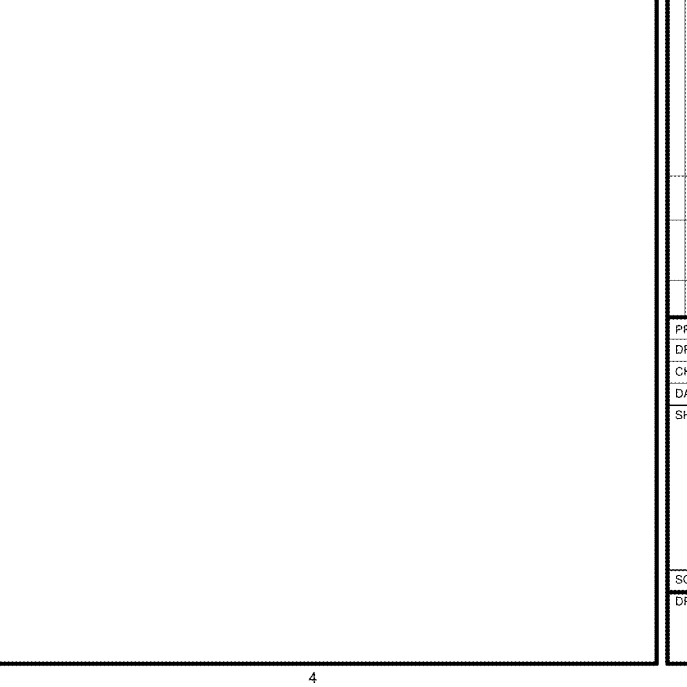
SECTION
SCALE: 1 1/2" = 1'-0"



DETAIL
SCALE: 1 1/2" = 1'-0"



DETAIL
SCALE: 3/4" = 1'-0"



SECTION
SCALE: 1 1/2" = 1'-0"

Order Plans
(CONSTRUCTION JOINT AND ALL CONTROL JOINTS IN TRUCK BAYS)

NOTES:
1. A CONSTRUCTION JOINT RESULTS WHEN CONCRETE IS PLACED ONLY ONE SIDE OF THE JOINT TO END A DAY'S PLACEMENT OR TO ACCOMMODATE A DELAY IN PLACING SEQUENCE. KEY SHALL BE REMOVED BEFORE CONTINUING FUTURE SLAB PLACEMENT.
2. WHEN CONCRETE IS PLACED ON BOTH SIDES A CONTROL JOINT IS FORMED. CONTROL JOINTS MAY BE SAW CUT TO A MINIMUM DEPTH OF 1 1/4" AT CONTRACTORS OPTION. W.W.F. SHALL BE DISCONTINUOUS ACROSS SAW CUT JOINT.

SLABS LESS THAN 6" THICK

NOTE:
IF CONSTRUCTION JT. IS REQ'D AT STEP. INSTALL 3 1/2" x 1 1/2" x 1'-0" KEYWAY. LAP REINFORCING 24 BAR DIA. MINIMUM.

1980
Johnson, Laschober & Associates, P.C.
1111 W. GA. MT. PLEASANT, SC
TEL: (803) 724-3736 • TEL: (843) 619-4656
FAX: (706) 724-3935
WWW.THEJLAGROUP.COM

CLIENT: AUGUSTA, GA
535 TELFAIR STREET, AUGUSTA, GA 30901

PROJECT NAME: **FIRESTATION #20**

PROJECT LOCATION: 2820 OLD HIGHWAY 1, HEPHIZBAH, GEORGIA 30815

REV.	DATE	ISSUED FOR	DESCRIPTION
0	12/21/18	MWL	ISSUED FOR BID

PROJECT NO. 3042.1604
DRAWN BY: CB
CHECKED BY: MWL
DATE: 8/10/18
SHEET TITLE: **CONCRETE SECTIONS AND DETAILS**

SCALE: AS NOTED
DRAWING NO. **S-301** REV. **0**