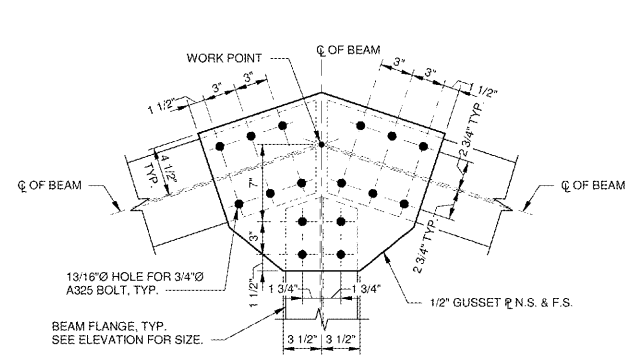
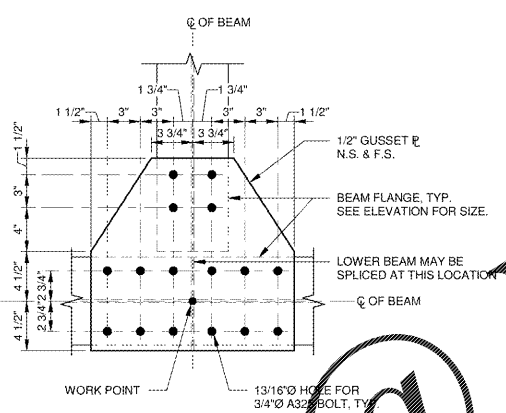


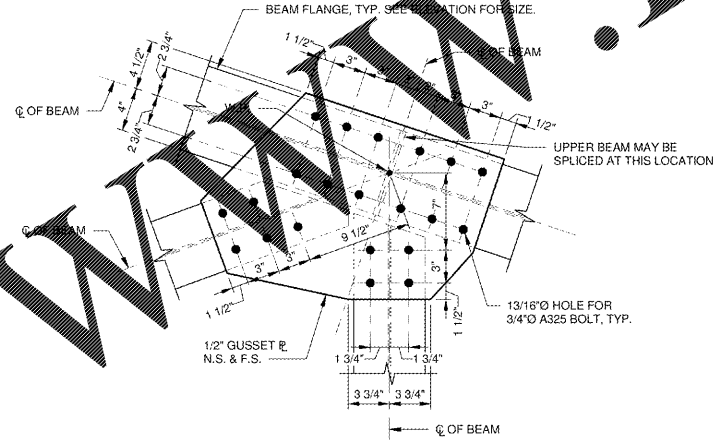
1 TRUSS ELEVATION
 S-202 SCALE: 3/8" = 1'-0"



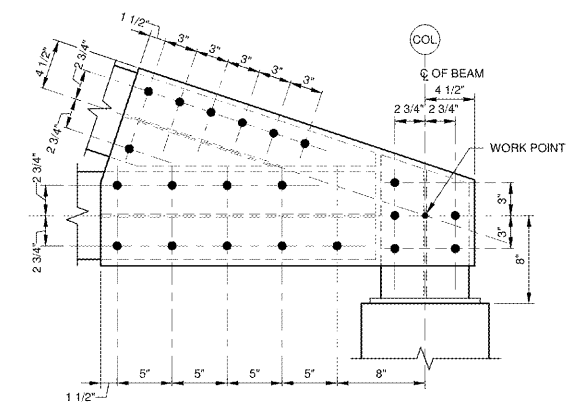
2 DETAIL
 S-202 SCALE: 1 1/2" = 1'-0"



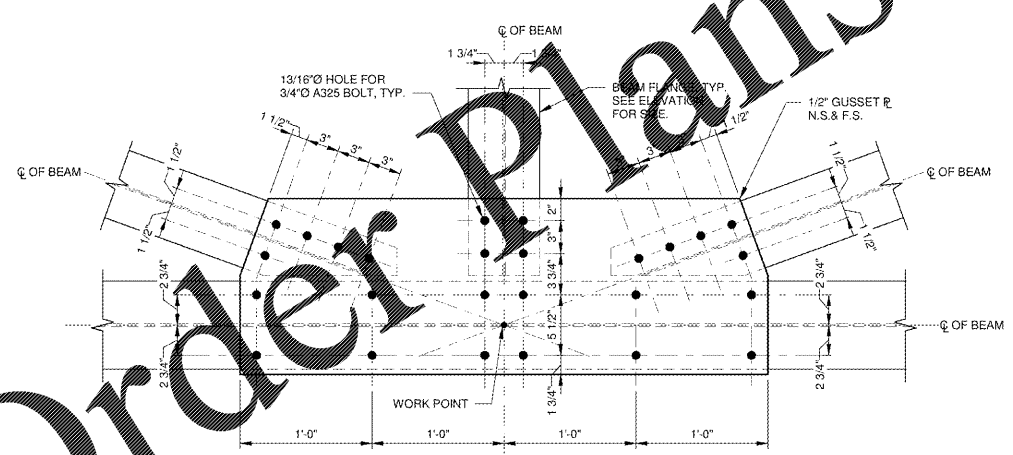
3 DETAIL
 S-202 SCALE: 1 1/2" = 1'-0"



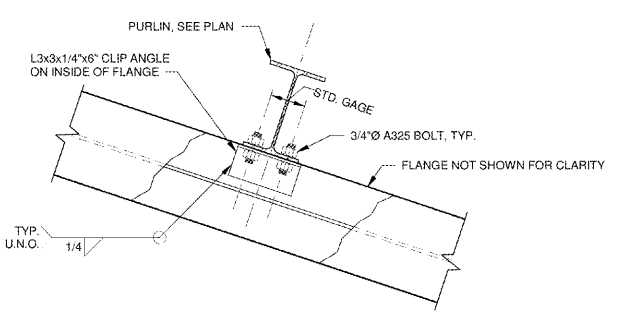
4 DETAIL
 S-202 SCALE: 1 1/2" = 1'-0"



5 DETAIL
 S-202 SCALE: 1 1/2" = 1'-0"



6 DETAIL
 S-202 SCALE: 1 1/2" = 1'-0"



7 DETAIL
 S-202 SCALE: 1 1/2" = 1'-0"

Order Plans @

WWW.LDILINE.COM

1980
 Architects • Engineers • Planners • Architects
JOHNSON, LASCHOBER & ASSOCIATES, P.C.
 ATLANTA, GA • MT. PLEASANT, SC
 TEL: (404) 724-9756 • TEL: (843) 619-4656
 FAX: (706) 724-3995
 WWW.THEJLAGROUP.COM

CLIENT: AUGUSTA, GA
 535 TELFAIR STREET, AUGUSTA, GA 30901
 PROJECT NAME: **FIRESTATION #20**
 PROJECT LOCATION: 2820 OLD HIGHWAY 1, HEPHIZBAH, GEORGIA 30815

REV.	DATE	BY	DESCRIPTION
0	12/21/18	MWL	ISSUED FOR BID

PROJECT NO. 3042.1604
 DRAWN BY: CB
 CHECKED BY: MWL
 DATE: 8/10/18
 SHEET TITLE: **TRUSS ELEVATION AND DETAILS**
 SCALE: AS NOTED
 DRAWING NO. **S-202** REV. **0**

This document is the property of Johnson, Laschober & Associates, P.C. The unauthorized reproduction, copying or otherwise use of this document is strictly prohibited and any infringement thereupon may be subject to legal action.