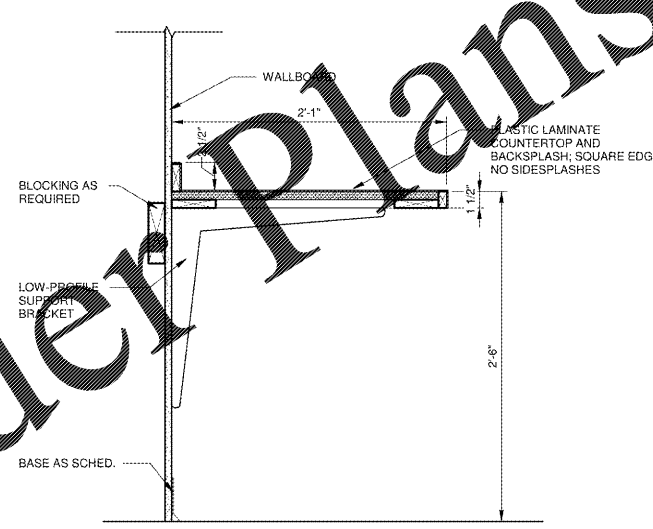
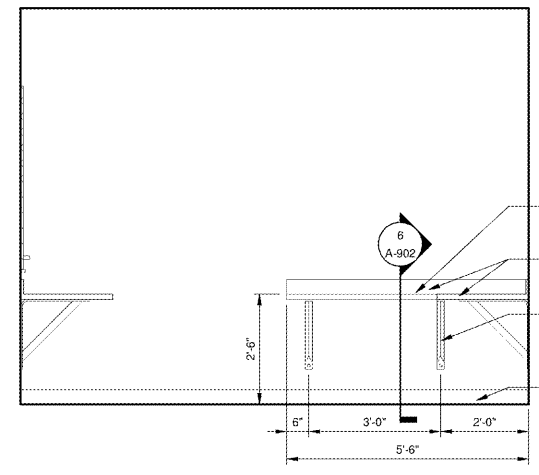


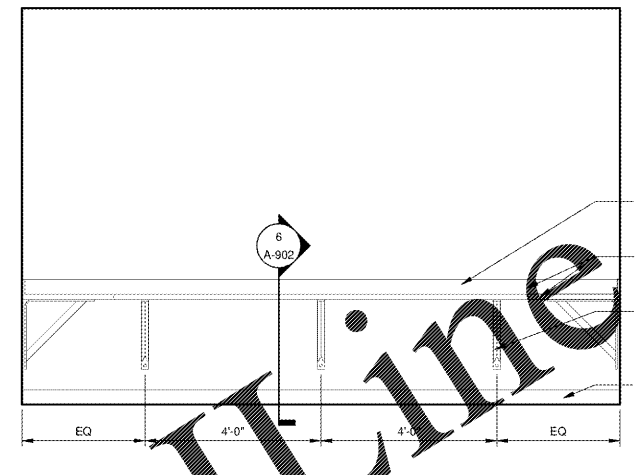
1 CASEWORK DETAIL - TALL CABINET  
SCALE: 1 1/2" = 1'-0"



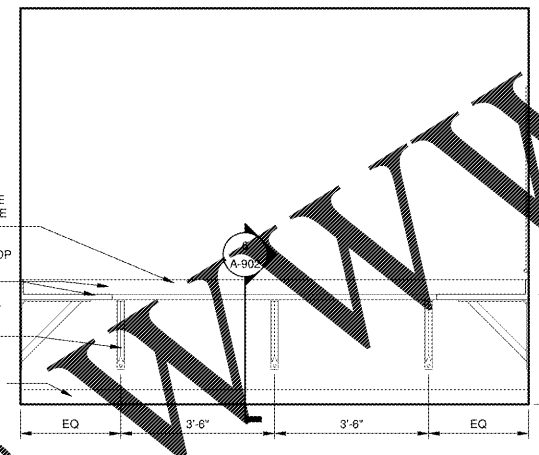
6 CASEWORK DETAIL - DESKTOP  
SCALE: 1 1/2" = 1'-0"



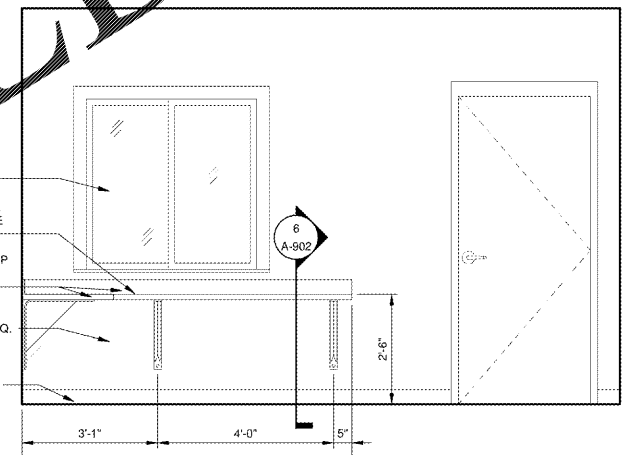
2 ELEVATION  
SCALE: 1/2" = 1'-0"



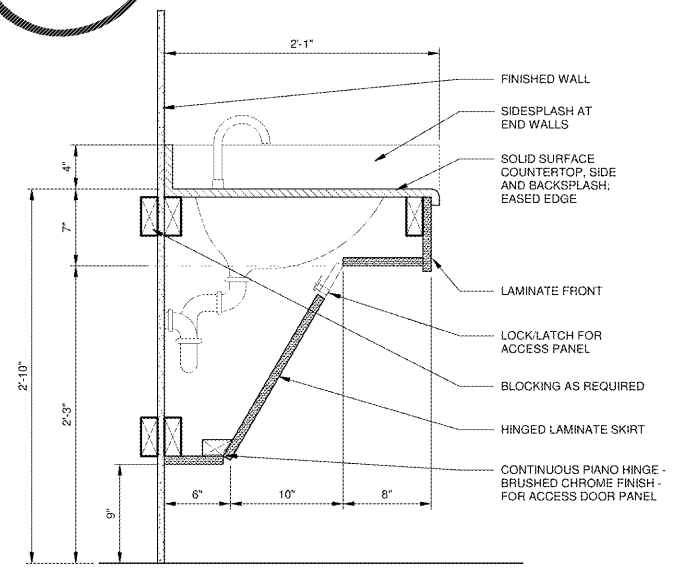
3 ELEVATION  
SCALE: 1/2" = 1'-0"



4 ELEVATION  
SCALE: 1/2" = 1'-0"



5 ELEVATION  
SCALE: 1/2" = 1'-0"



7 SINK SECTION  
SCALE: 1 1/2" = 1'-0"

1980  
Architects • Engineers • Interiors • Architects  
**JOHNSON, LASCHOBER & ASSOCIATES, P.C.**  
1001 W. GA • MT. PLEASANT, SC  
TEL: (706) 724-5756 • TEL: (843) 619-4656  
FAX: (706) 724-3935  
WWW.THEJLAGROUP.COM

CLIENT: AUGUSTA, GA  
535 TELFAIR STREET, AUGUSTA, GA 30901  
PROJECT NAME: **FIRE STATION #20**  
PROJECT LOCATION: 2820 OLD HIGHWAY 1, HEPHZIBAH, GA 30815

REV	DATE	BY	DESCRIPTION
0	12/21/18	JAP	ISSUED FOR BID

PROJECT NO.	3042.1604
DRAWN BY:	JAP
CHECKED BY:	WLD
DATE:	8/10/18
SHEET TITLE:	
<b>INTERIOR ELEVATIONS, CASEWORK / CABINET DETAILS</b>	
SCALE	AS NOTED
DRAWING NO.	A-902
REV.	0

C:\REVIT - Local Projects\3042\Bldg\_20\_ARCHITECTURAL\LOCAL\_IP\BASIS\N/A  
12/21/2018 4:25:42 PM

Order Plans

WWW.LDILINE.COM