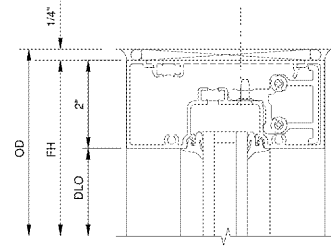
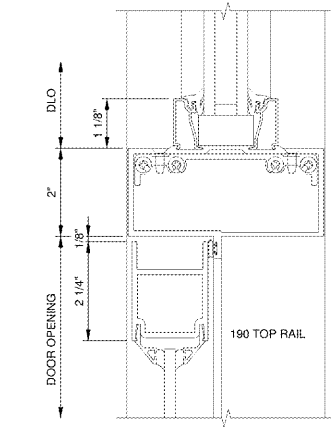


**ENTRANCE DETAIL 6
TRANSOM HEAD**



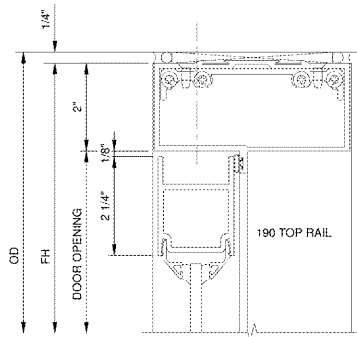
451T126 SHIM SUPPORT
451CG525 SHEAR BLOCK PKG
451TG3001 HEAD

**ENTRANCE DETAIL 7
TRANSOM BAR**
SINGLE ACTING
FOR SURFACE CLOSER



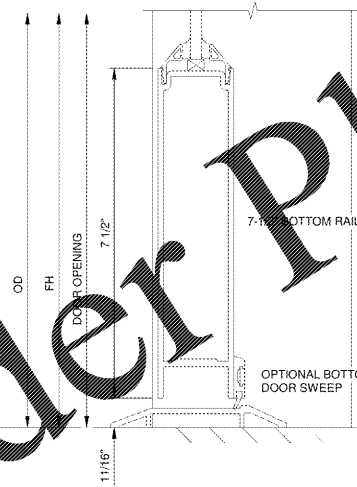
450506 S/A T-BAR CLIP PACKAGE
451502 S/A T-BAR WITH WEATHERING
450022 GLASS STOP

**ENTRANCE DETAIL 7A
HEADER**
SINGLE ACTING
FOR SURFACE CLOSER



450506 S/A HEADER CLIP PACKAGE
451502 S/A HEADER WITH WEATHERING

**ENTRANCE DETAIL 8
STD. BOTTOM RAIL**
SINGLE ACTING



7-1/2\"/>

OPTIONAL BOTTOM
DOOR SWEEP

1 STOREFRONT ENTRANCE ELEVATION

A-703 SCALE: 6" = 1'-0"

DETAIL 9A

DETAIL 6

DETAIL 11A

DETAIL 7

DETAIL 7A

DETAIL 10

DETAIL 9

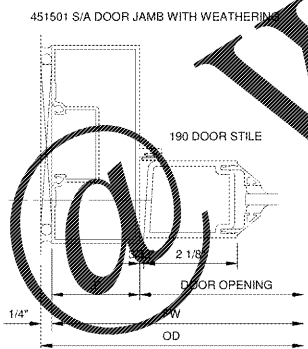
DETAIL 11

DETAIL 8

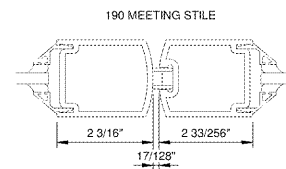
DETAIL 9

DETAIL 9
(OPP.)

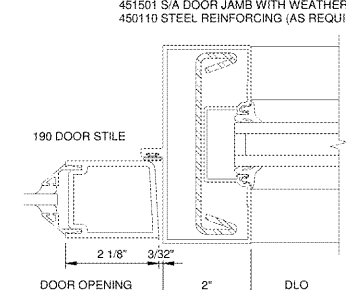
DETAIL 8



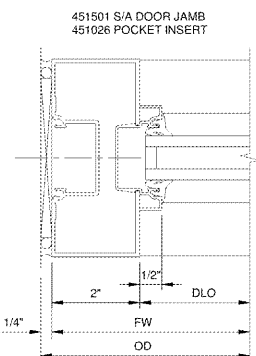
**ENTRANCE DETAIL 9
DOOR JAMB**
SINGLE ACTING



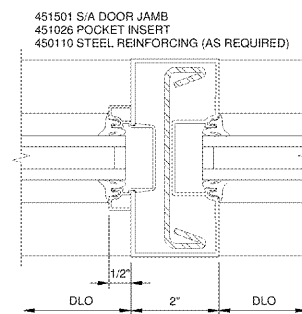
**ENTRANCE DETAIL 10
MEETING STILES**



**ENTRANCE DETAIL 11
DOOR JAMB**
SINGLE ACTING
WITH SIDELITE



**ENTRANCE DETAIL 9A
DOOR JAMB
AT TRANSOM AREA**



**ENTRANCE DETAIL 11A
DOOR JAMB
AT TRANSOM AREA**

KAWNEER TRIFAB 451T (THERMAL) FRAMING SYSTEM CENTER SET - ENTRANCE DETAILS OFFSET PIVOT/BUTT HUNG WITH SURFACE CLOSER 1\"/>



CLIENT: AUGUSTA, GA
535 TELFAIR STREET, AUGUSTA, GA 30901

PROJECT NAME:

FIRE STATION #20

PROJECT LOCATION:
2820 OLD HIGHWAY 1, HEPHZIBAH, GA 30815

REV	DATE	BY	DESCRIPTION
0	12/21/18		ISSUED FOR BID

PROJECT NO. 3042.1604
DRAWN BY: CTH
CHECKED BY: WLD
DATE: 8/10/18

SHEET TITLE:
**STOREFRONT
ENTRANCE
DETAILS**

SCALE AS NOTED

DRAWING NO. **A-703** REV: **0**