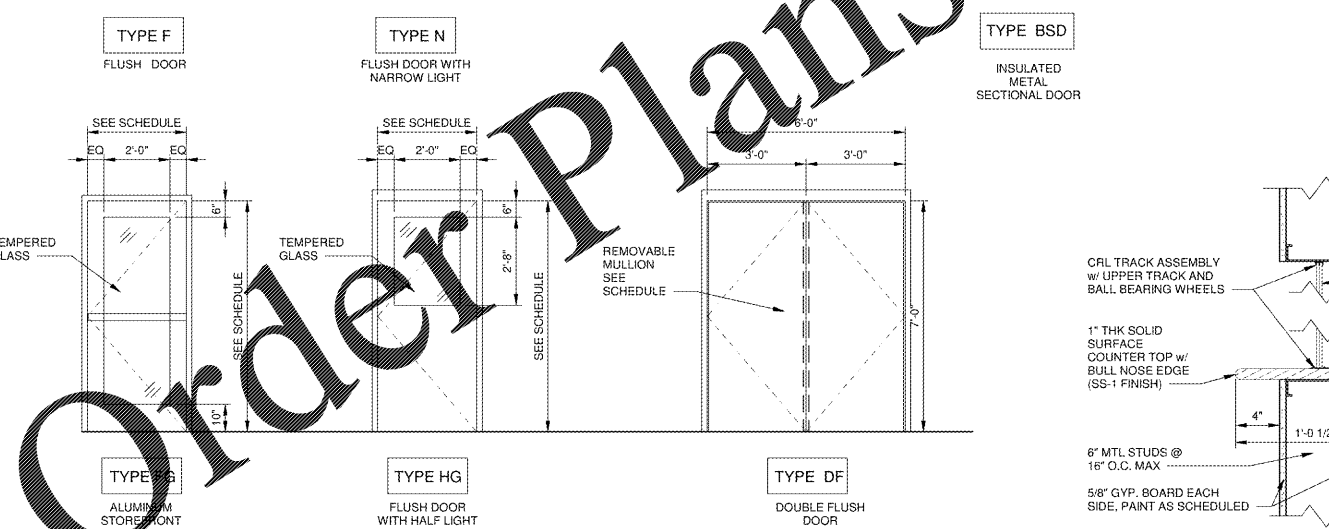
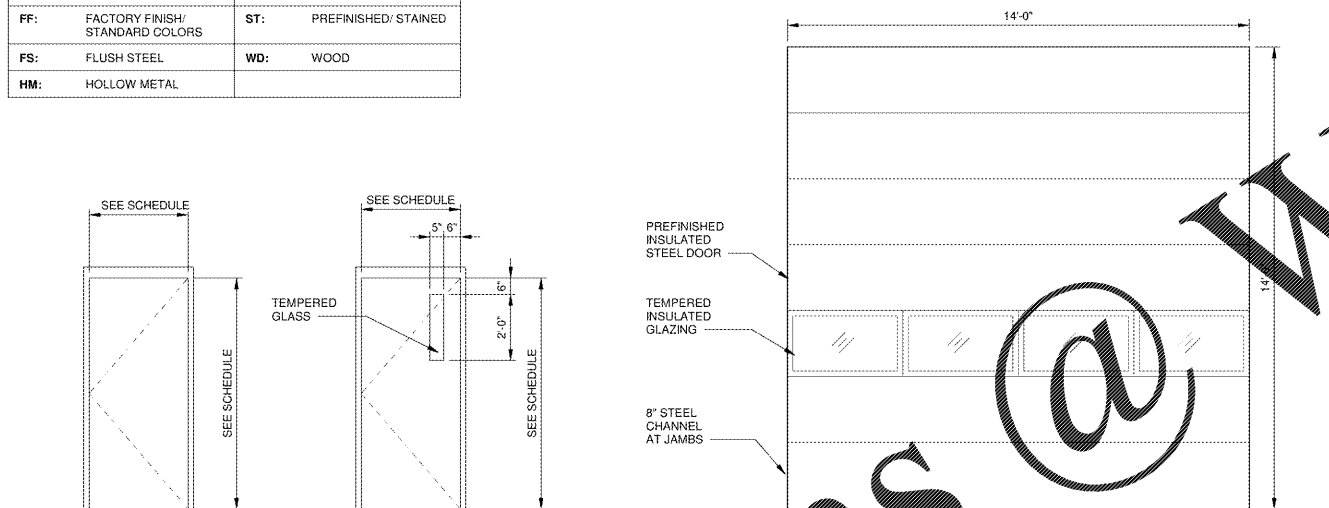


# DOOR SCHEDULE

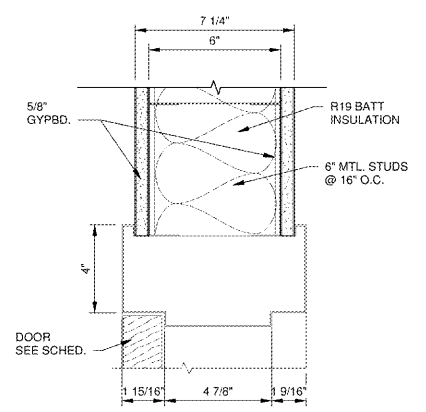
DOOR NO.	TYPE	WIDTH	HEIGHT	THICKNESS	DOOR			FRAME							COMMENTS
					MATERIAL	FINISH	FIRE RATING	HARDWARE	TYPE	MATERIAL	FINISH	JAMB	HEAD		
100.1	F	3'-0"	7'-0"	0'-1 3/4"	FS	PT			STEEL	PT				INSULATED	
100.2	N	3'-0"	7'-0"	0'-1 3/4"	FS	PT			STEEL	PT				INSULATED	
100.3	F	3'-0"	7'-0"	0'-1 3/4"	FS	PT			STEEL	PT				INSULATED	
100.4	N	3'-0"	7'-0"	0'-1 3/4"	FS	PT			STEEL	PT				INSULATED	
101.1	FG	3'-0"	7'-0"	0'-1 3/4"	ALUM	FF			STEEL	PT				ALUMINUM STOREFRONT	
101.2	N	3'-0"	7'-0"	0'-1 3/4"	SCW	ST			STEEL	PT					
102.1	N	3'-0"	7'-0"	0'-1 3/4"	SCW	ST			STEEL	PT					
102.2	N	3'-0"	7'-0"	0'-1 3/4"	SCW	ST			STEEL	PT					
102A	F	3'-0"	7'-0"	0'-1 3/4"	SCW	ST			STEEL	PT					
103	F	3'-0"	7'-0"	0'-1 3/4"	SCW	ST			STEEL	PT					
104	F	3'-0"	7'-0"	0'-1 3/4"	SCW	ST	1 HR		STEEL	PT					
105	F	3'-0"	7'-0"	0'-1 3/4"	SCW	ST			STEEL	PT					
106	HG	3'-6"	7'-0"	0'-1 3/4"	SCW	ST			STEEL	PT					
107	N	3'-0"	7'-0"	0'-1 3/4"	SCW	ST			STEEL	PT					
109	F	3'-6"	7'-0"	0'-1 3/4"	FS	PT	1 1/2 HR		STEEL	PT				INSULATED ALUMINUM STOREFRONT	
110	FG	3'-0"	7'-0"	0'-1 3/4"	ALUM	FF			STEEL	PT					
111	F	3'-6"	7'-0"	0'-1 3/4"	SCW	PT			STEEL	PT					
112	F	3'-0"	7'-0"	0'-1 3/4"	SCW	PT	1 HR		STEEL	PT					
113	F	3'-6"	7'-0"	0'-1 3/4"	SCW	PT			STEEL	PT					
114	F	3'-0"	7'-0"	0'-1 3/4"	SCW	PT	1 HR		STEEL	PT					
115	F	3'-0"	7'-0"	0'-1 3/4"	SCW	PT			STEEL	PT					
116	F	3'-0"	7'-0"	0'-1 3/4"	SCW	PT	1 HR		STEEL	PT					
117	F	3'-0"	7'-0"	0'-1 3/4"	SCW	PT			STEEL	PT					
118	F	3'-0"	7'-0"	0'-1 3/4"	SCW	PT	1 HR		STEEL	PT					
119	F	3'-0"	7'-0"	0'-1 3/4"	SCW	PT			STEEL	PT					
120	F	3'-0"	7'-0"	0'-1 3/4"	SCW	PT	1 HR		STEEL	PT					
121	F	3'-0"	7'-0"	0'-1 3/4"	SCW	PT			STEEL	PT					
122	FG	3'-0"	7'-0"	0'-1 3/4"	ALUM	FF			STEEL	PT				ALUMINUM STOREFRONT	
122.1	N	3'-0"	7'-0"	0'-1 3/4"	SCW	PT			STEEL	PT					
123.1	N	3'-6"	7'-0"	0'-1 3/4"	SCW	PT	1 1/2 HR		STEEL	PT				INSULATED, D-H-90 GLAZING	
123.2	HG	3'-6"	7'-0"	0'-1 3/4"	SCW	PT			STEEL	PT					
124	N	3'-6"	7'-0"	0'-1 3/4"	SCW	PT	1 1/2 HR		STEEL	PT				INSULATED, D-H-90 GLAZING	
201	DF	6'-0"	7'-0"	0'-1 3/4"	FS	PT	1 1/2 HR		STEEL	PT					
B1.1	BSD	14'-0"	14'-0"	0'-2"	ALUM	FF			STEEL	PT				INSULATED	
B1.2	BSD	14'-0"	14'-0"	0'-2"	ALUM	FF			STEEL	PT				INSULATED	
B2.1	BSD	14'-0"	14'-0"	0'-2"	ALUM	FF			STEEL	PT				INSULATED	
B2.2	BSD	14'-0"	14'-0"	0'-2"	ALUM	FF			STEEL	PT				INSULATED	
B3.1	BSD	14'-0"	14'-0"	0'-2"	ALUM	FF			STEEL	PT				INSULATED	
B3.2	BSD	14'-0"	14'-0"	0'-2"	ALUM	FF			STEEL	PT				INSULATED	

ALUM:	ALUMINUM	ID:	INSULATED
CO:	CASED OPENING	PT:	PAINT
EXIST/EX:	EXISTING	SCW:	SOLID CORE WOOD
FF:	FACTORY FINISH/ STANDARD COLORS	ST:	PREFINISHED/ STAINED
FS:	FLUSH STEEL	WD:	WOOD
HM:	HOLLOW METAL		

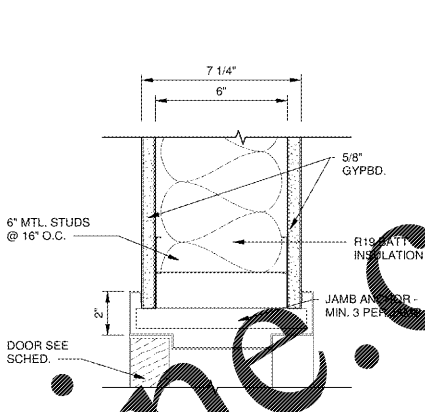


**DOOR TYPES**  
SCALE: 3/8" = 1'-0"

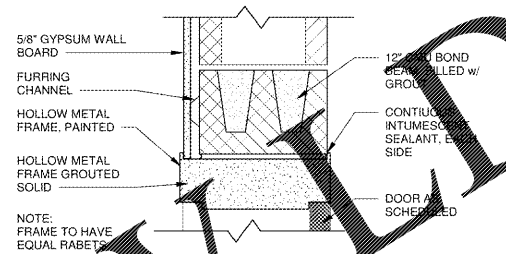
**SLIDING WINDOW SILL**  
SCALE: 1 1/2" = 1'-0"



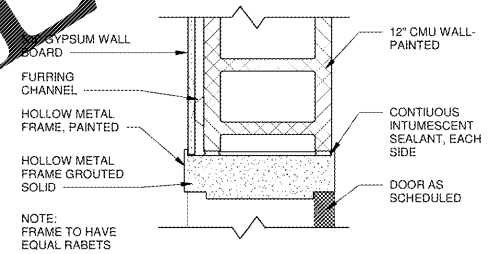
**1 HEAD DETAIL - 6" STUD**  
SCALE: 3" = 1'-0"



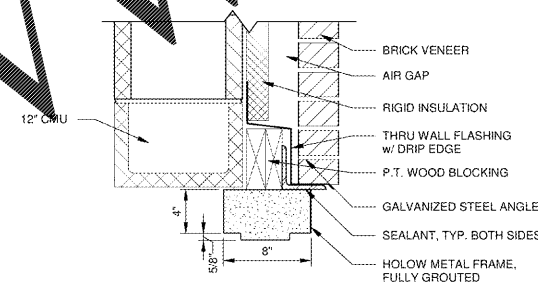
**2 JAMB DETAIL - 6" STUD**  
SCALE: 1" = 1'-0"



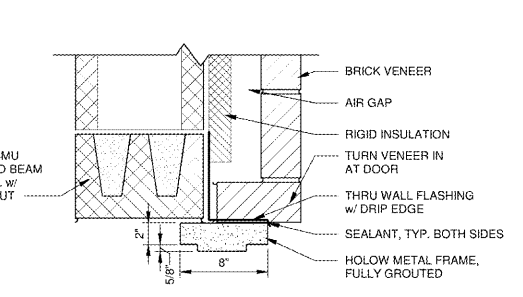
**3 HEAD DETAIL - CMU**  
SCALE: 1 1/2" = 1'-0"



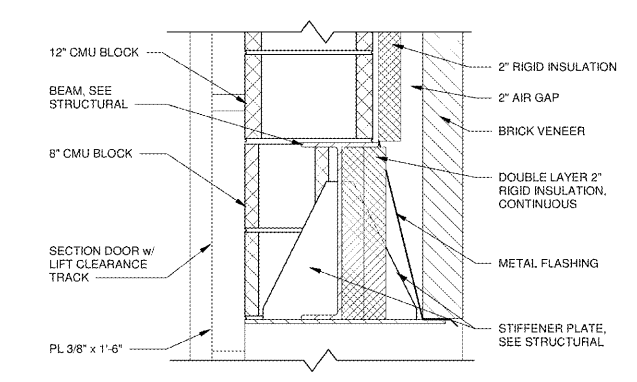
**4 JAMB DETAIL - CMU**  
SCALE: 1 1/2" = 1'-0"



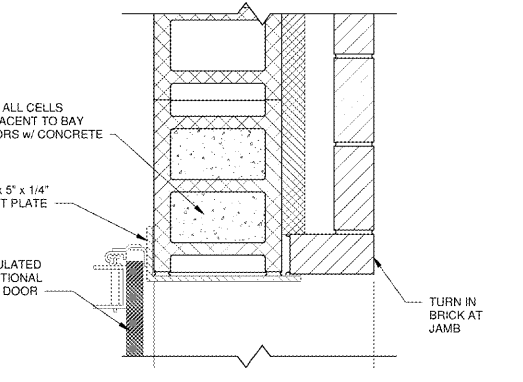
**5 JAMB DETAIL - CMU & BRICK**  
SCALE: 1 1/2" = 1'-0"



**6 HEAD DETAIL - CMU & BRICK**  
SCALE: 1 1/2" = 1'-0"



**7 HEAD DETAIL - OVERHEAD DOOR**  
SCALE: 1 1/2" = 1'-0"



**8 JAMB DETAIL - OVERHEAD DOOR**  
SCALE: 1 1/2" = 1'-0"

**JOHNSON LASCHNER & ASSOCIATES, P.C.**  
 ARCHITECTS  
 1980  
 1111 W. GA. AVE. • M.T. PLEASANT, SC  
 TEL: (803) 724-5756 • TEL: (843) 619-4656  
 FAX: (706) 724-3935  
 WWW.THEJLAGROUP.COM

CLIENT: AUGUSTA, GA  
 535 TELFAIR STREET, AUGUSTA, GA 30901  
 PROJECT NAME: **FIRE STATION #20**  
 PROJECT LOCATION: 2820 OLD HIGHWAY 1, HEPHIZBAH, GA 30815

NO.	DATE	BY	DESCRIPTION
0	12/21/18		ISSUED FOR BID

PROJECT NO. 3042.1604  
 DRAWN BY: JAP/CBW  
 CHECKED BY: WLD  
 DATE: 8/10/18  
 SHEET TITLE:  
**DOOR & WINDOW SCHEDULES, DETAILS**  
 SCALE: AS NOTED  
 DRAWING NO. **A-701** REV: 0

Order Plans @

WWW.DIline.com

This document is the property of Johnson, Laschner & Associates, P.C. The unauthorized reproduction, copying or otherwise use of this document is strictly prohibited and any infringement thereupon may be subject to legal action.