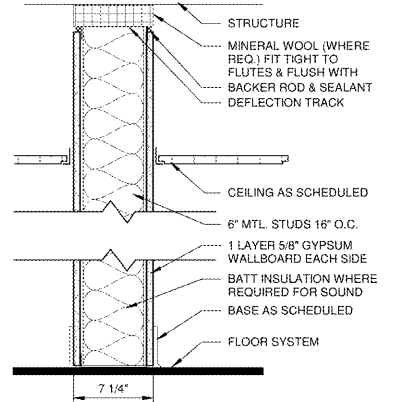
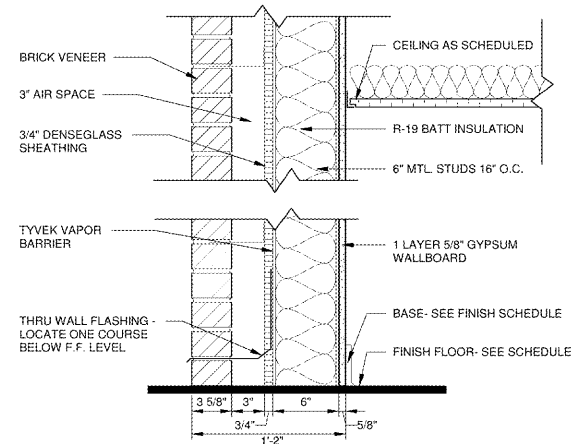


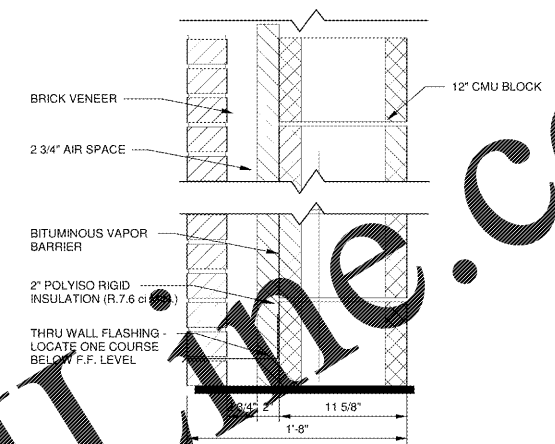
FIRE RATING	UL TEST NO.	STC RATING - N/A
N/A	N/A	N/A



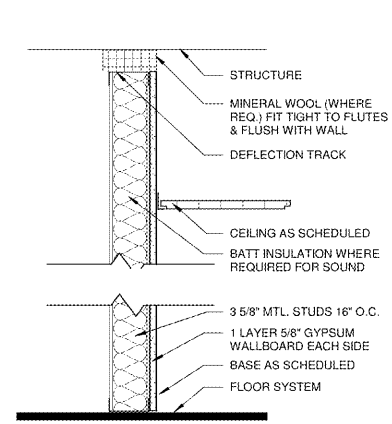
FIRE RATING	UL TEST NO.	STC RATING - N/A
N/A	N/A	N/A



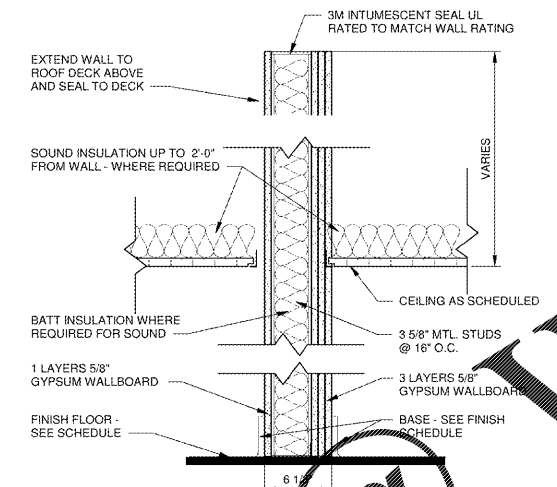
FIRE RATING	UL TEST NO.	STC RATING - N/A
N/A	N/A	N/A



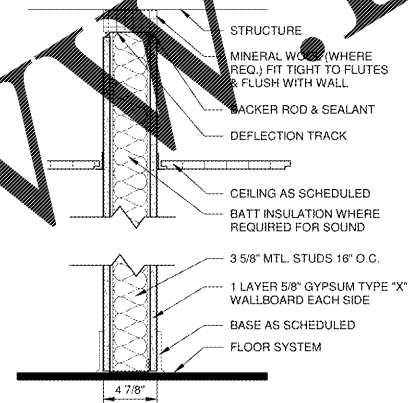
FIRE RATING	UL TEST NO.	STC RATING - N/A
N/A	N/A	N/A



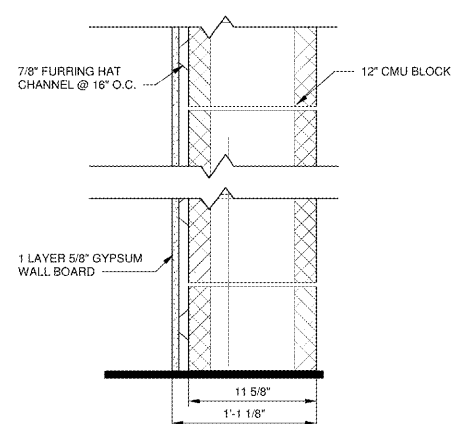
FIRE RATING	UL TEST NO.	STC RATING - N/A
N/A	N/A	N/A



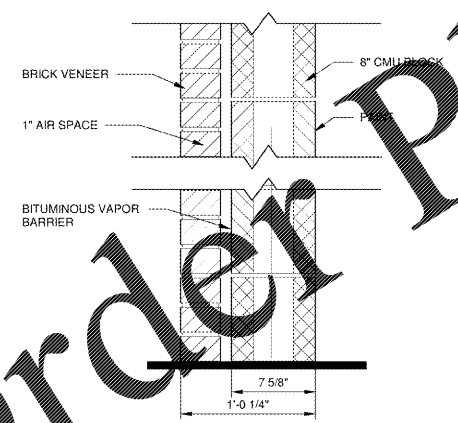
FIRE RATING	UL TEST NO.	STC RATING - N/A
2 HR	U42	N/A



FIRE RATING	UL TEST NO.	STC RATING - N/A
1 HR	U465	N/A



FIRE RATING	UL TEST NO.	STC RATING - N/A
2 HR	U805	N/A



FIRE RATING	UL TEST NO.	STC RATING - N/A
N/A	N/A	N/A

**ALTERNATE # 6**  
 ALL METAL STUDS SHALL BE REPLACED w/ NOMINAL CUT 2x WOOD LUMBER THAT MATCH THE ACTUAL WIDTH OF SPECIFIED METAL STUDS.  
 (3 5/8" MTL STUD WILL BE REPLACED w/ 2x4 STUD & 6" MTL STUD WILL BE REPLACED w/ 2x6 STUD)

1980  
 Architects • Engineers • Interiors • Architects  
**JOHNSON, LASCHOBER & ASSOCIATES, P.C.**  
 1111 GA • MT. PLEASANT, SC  
 TEL: (803) 724-5756 • TEL: (843) 619-4656  
 FAX: (706) 724-3935  
 WWW.THEJLAGROUP.COM

CLIENT: AUGUSTA, GA  
 535 TELFAIR STREET, AUGUSTA, GA 30901  
 PROJECT NAME: FIRE STATION #20  
 PROJECT LOCATION: 2820 OLD HIGHWAY 1, HEPHZIBAH, GA 30815

ISSUED FOR BID	BY
0	12/21/18

REV	DATE	DESCRIPTION

PROJECT NO. 3042.1604  
 DRAWN BY: CBW  
 CHECKED BY: WLD  
 DATE: 8/10/18  
 SHEET TITLE: WALL TYPES  
 SCALE: AS NOTED  
 DRAWING NO. A-103  
 REV: 0

Order Plans

12/21/2018 4:20:46 PM C:\REVIT - Local Projects\3042\Bldg\_20\_ARCHITECTURAL\LOCAL\_IPERSON\A

This document is the property of Johnson, Laschober & Associates, P.C. The unauthorized reproduction, copying or otherwise use of this document is strictly prohibited and any infringement thereupon may be subject to legal action.