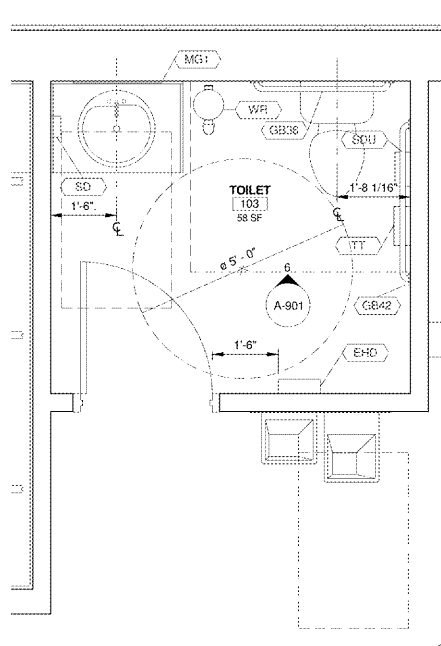


1 ENLARGED TLT/SHOWER 115, 117
SCALE: 1/2" = 1'-0"



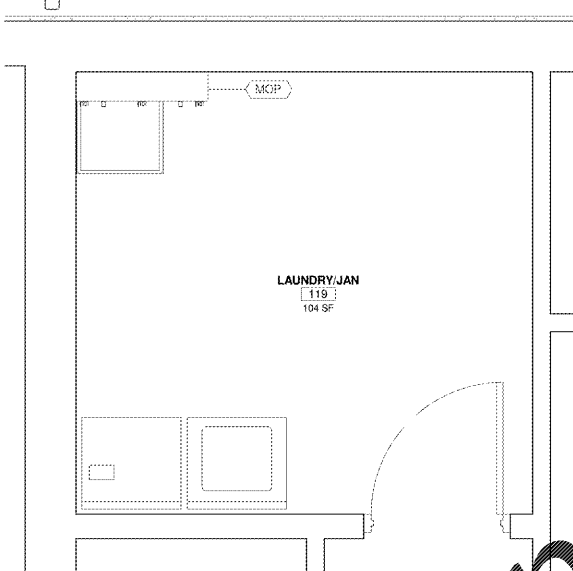
2 ENLARGED TOILET 103
SCALE: 1/2" = 1'-0"

ACCESSORY SCHEDULE

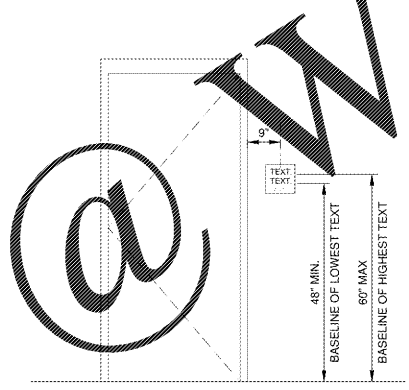
NOTE: ALL ACCESSORIES TO HAVE MAX PROJECTION OF 4"

KEY	ACCESSORY DESCRIPTION	BOBRICK NO. / ASI NO. *	MOUNTING HEIGHT
(EHD)	ELECTRIC HAND DRYER - SURFACE MOUNTED, BRIGHT STAINLESS FINISH	ASI 0185-92	BOTTOM OF UNIT - 40"
(TT)	SURFACE-MOUNTED JUMBO ROLL TISSUE DISPENSER	ASI 0042	BOTTOM OF UNIT - 1'-6"
(SDU)	SURFACE-MOUNTED SANITARY NAPKIN DISPOSAL	ASI 0852	TOP OF UNIT - 2'-5"
(MG1)	GLASS MIRROR WITH STAINLESS STEEL ANGLE FRAME, 24" x 36"H	ASI 0600-2436	BOTTOM OF UNIT - 3'-4"
(MG2)	GLASS MIRROR WITH STAINLESS STEEL ANGLE FRAME, 36" x 36"H	ASI 0600-3636	BOTTOM OF UNIT - 3'-4"
(SD)	SURFACE-MOUNTED FOAM SOAP DISPENSER	B-26627	BOTTOM OF UNIT - 3'-0"
(FSS)	SOLID PHENOLIC FOLDING SHOWER SEAT	B-5191	TOP OF SEAT - 6"
(GB36)	1 1/2" DIAMETER STAINLESS STEEL GRAB BARS WITH SNAP FLANGE	B-6806-36	TOP OF UNIT - 3'-0"
(GB42)	1 1/2" DIAMETER STAINLESS STEEL GRAB BARS WITH SNAP FLANGE	B-6806-42	TOP OF UNIT - 3'-0"
(CH)	STAINLESS STEEL CLOTHES HOOK	B-204-1	CENTER OF UNIT - 3'-2" - 4'-0"
(SCU)	STAINLESS STEEL SHOWER CURTAIN ROD WITH 72" CURTAIN HOOKS AND 72" CURTAIN HOOKS	B-204-3	TOP OF UNIT - 6'-0"
(WR)	WATER RECYCLING TOILET	ASI 7317	-
(SN)	PRE-FABRICATED SHOWER NICHE BY SHOWER SYSTEMS: 12" x 12" x 3.5"D	KB 12 SN 305 305 A	BOTTOM OF UNIT - 4'-0"
(MOP)	UTILITY SHELF WITH MOP / BROOM HOLDERS AND RAG HOOKS	B-224	TOP OF UNIT - 5'-0"

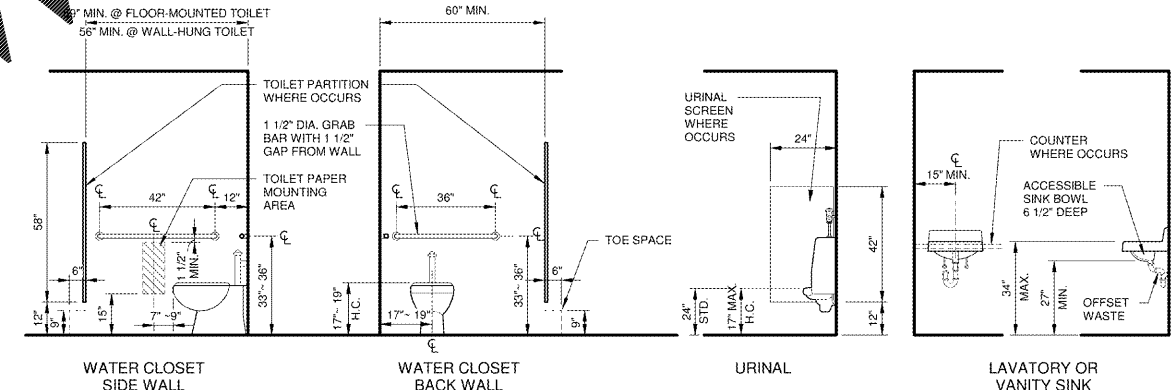
* CONTACT FACTOR TO PROVIDE BOBRICK, OR ASI ACCESSORY AS NOTED OR APPROVED EQUAL



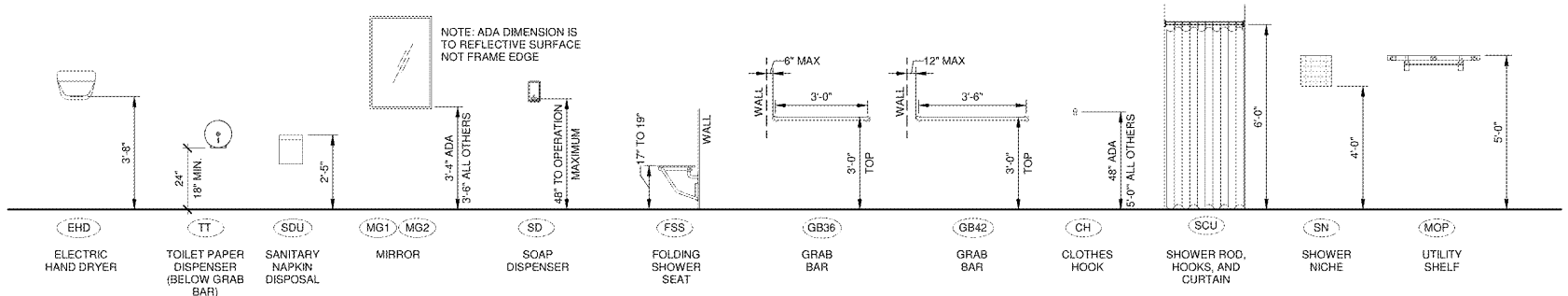
3 ENLARGED LAUNDRY/JAN 119
SCALE: 1/2" = 1'-0"



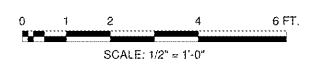
4 SIGN LOCATION DETAIL
SCALE: 1/2" = 1'-0"



5 TYPICAL PLUMBING FIXTURES AND ACCESSORIES MOUNTING HEIGHTS
SCALE: 3/8" = 1'-0"

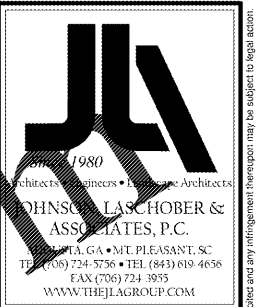


TOILET ACCESSORIES - MOUNTING HEIGHTS
SCALE: 3/8" = 1'-0"



Order Plans

WWW.LDLINE.COM



CLIENT: AUGUSTA, GA
535 TELFAIR STREET, AUGUSTA, GA 30901

PROJECT NAME: FIRE STATION #20

PROJECT LOCATION: 2820 OLD HIGHWAY 1, HEPHIZBAH, GA 30815

ISSUED FOR BID	BY	DATE	DESCRIPTION
0		12/21/18	

PROJECT NO. 3042.1604
DRAWN BY: CBW
CHECKED BY: WLD
DATE: 8/10/18

SHEET TITLE:
**ENLARGED PLANS,
TLT ACCESSORIES
& MOUNTING
HEIGHTS**

SCALE AS NOTED
DRAWING NO. **A-102** REV: 0