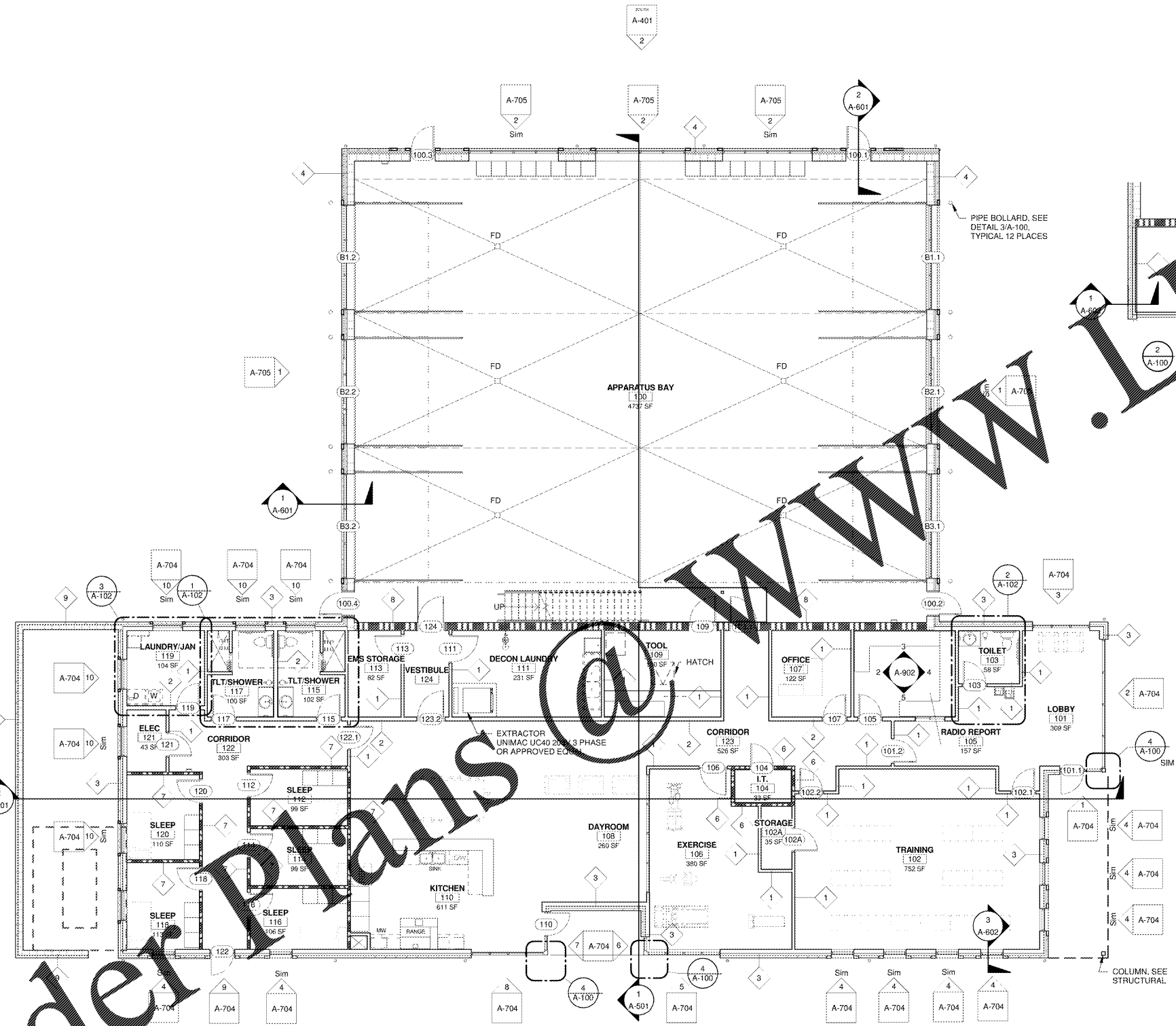


WALL LEGEND

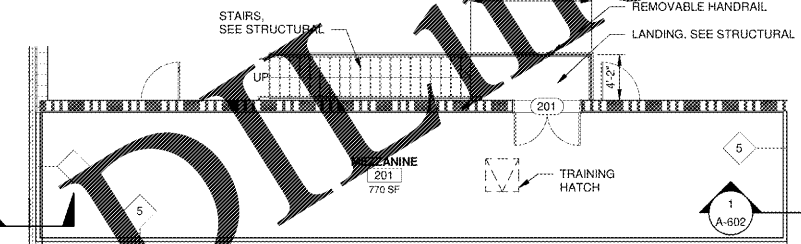
SCALE: 1/8" = 1'-0"

- 1 HR RATED WALL
UL U465 - METAL STUD
- 2 HR RATED WALL
UL U421 - METAL STUD
- 2 HR RATED WALL CMU WALL
UL U805



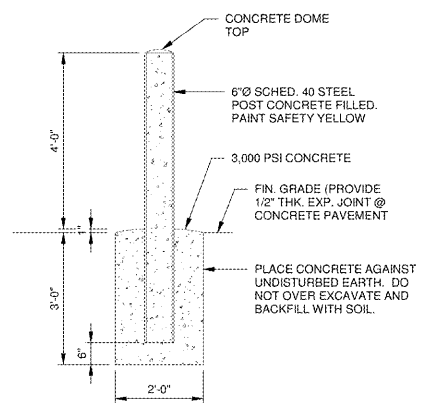
FLOOR PLAN

SCALE: 1/8" = 1'-0"



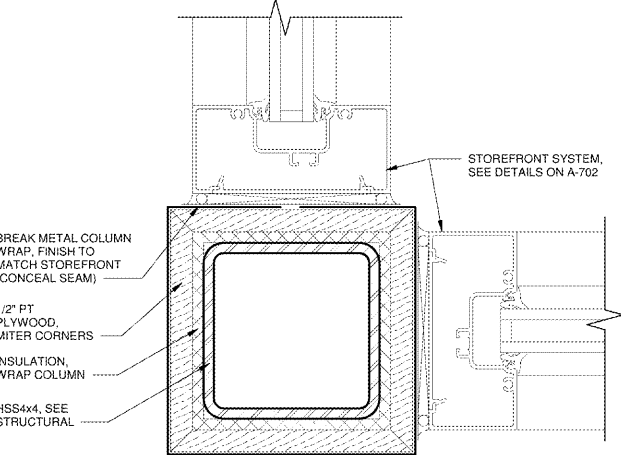
MEZZANINE PLAN

SCALE: 1/8" = 1'-0"



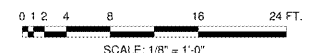
PIPE BOLLARD DETAIL

SCALE: 1/2" = 1'-0"



DETAIL

SCALE: 6" = 1'-0"



1980
Architects • Engineers • Interiors • Architects
JOHNSON, LASCHOBER & ASSOCIATES, P.C.
1001 W. GA. • MT. PLEASANT, SC
TEL: (706) 724-5756 • TEL: (843) 619-4656
FAX: (706) 724-3935
WWW.THEJLAGROUP.COM

CLIENT: AUGUSTA, GA
535 TELFAIR STREET, AUGUSTA, GA 30901

PROJECT NAME:
FIRE STATION #20

PROJECT LOCATION:
2820 OLD HIGHWAY 1, HEPHZIBAH, GA 30815

REV	DATE	BY	DESCRIPTION
0	12/21/18		ISSUED FOR BID

PROJECT NO. 3042.1604
DRAWN BY: JAP
CHECKED BY: WLD
DATE: 8/10/18

SHEET TITLE:
FLOOR PLAN

SCALE AS NOTED

DRAWING NO. **A-100** REV: 0

Order Plans @ www.wldonline.com

This document is the property of Johnson, Laschober & Associates, P.C. The unauthorized reproduction, copying or otherwise use of this document is strictly prohibited and any infringement thereupon may be subject to legal action.