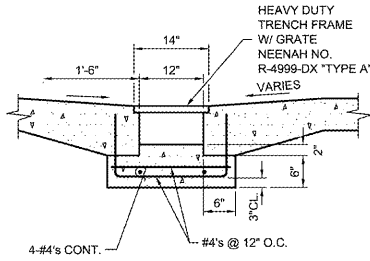


SECTION THRU TRENCH DRAIN AT DRIVEWAY

NOTES:

1. ALL CONCRETE IN TRENCH SHALL BE 3,000PSI W/ NO. 4 REBARS @ 12" O.C. B.W.
2. TRENCH FRAMES & GRATES SHALL BE CAT. NO. R-4999-DX "TYPE A" AS MANUFACTURED BY NEENAH FOUNDRY COMPANY OR EQUAL (MUST BE APPROVED BY THE ENGINEER).

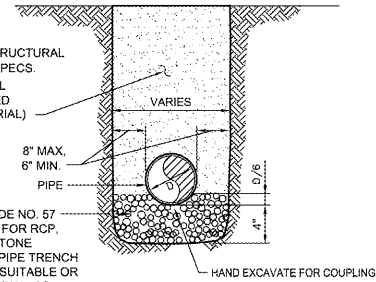
TRENCH DRAIN DETAIL
NO SCALE



SECTION "A-A"

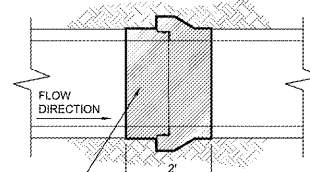
- NOTE:
1. PROVIDE GREEN WARNING TAPE OVER STORM PIPES.
 2. THERMOPLASTIC PIPE SHALL BE INSTALLED PER THIS DETAIL & PER ASTM D-2321 "STANDARD PRACTICE FOR UNDERGROUND INSTALLATION OF THERMOPLASTIC PIPE FOR SEWERS & OTHER GRAVITY FLOW APPLICATIONS."
 3. REINFORCED CONCRETE PIPE (RCP) SHALL BE INSTALLED PER THIS DETAIL & PER ASTM C1479-01 "STANDARD PRACTICE FOR INSTALLATION OF PRECAST CONCRETE SEWER, STORM DRAIN, AND CULVERT PIPING USING STANDARD INSTALLATIONS."

COMPACTED STRUCTURAL BACKFILL PER SPECS. (BACKFILL SHALL BE AN APPROVED BORROW MATERIAL)



FOR HDPE, PROVIDE NO. 57 STONE BEDDING. FOR RCP, PROVIDE NO. 57 STONE BEDDING WHERE PIPE TRENCH IS LOCATED IN UNSUITABLE OR WET VIRGIN MATERIAL, AS DETERMINED BY THIRD PARTY SOILS TESTING LABORATORY

TYPICAL TRENCH SECTION FOR GRAVITY STORM SEWER INSTALLATION
NO SCALE

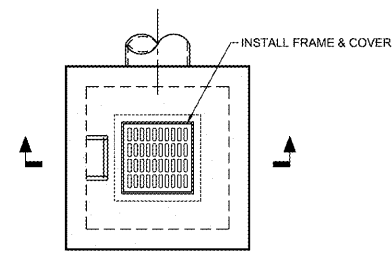


TYPICAL JOINT FOR RCP GRAVITY STORM SEWER INSTALLATION
NO SCALE

C1
C-603

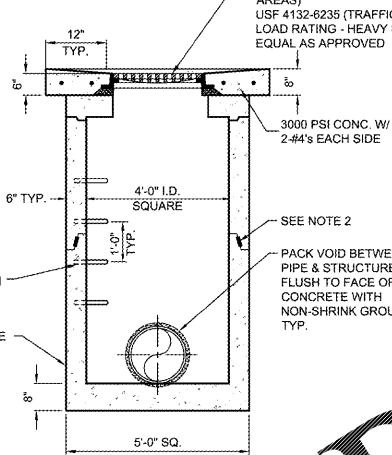
C3
C-603

C4
C-603



TOP VIEW

GRATE AND FRAME:
USF 4132-6155 (NON-TRAFFIC AREAS)
USF 4132-6235 (TRAFFIC AREAS)
LOAD RATING - HEAVY DUTY OR EQUAL AS APPROVED



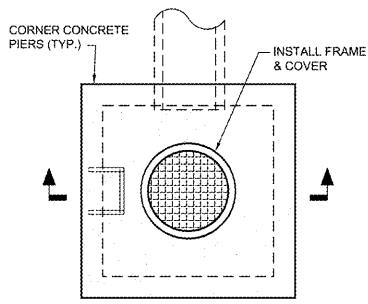
SECTION

NOTES:

1. STRUCTURES LESS THAN 5 FT. IN HEIGHT (MEASURED FROM THROAT ELEVATION TO STRUCTURE BOTTOM) DO NOT REQUIRE STEPS.
2. SEE SPECIFICATIONS FOR INFORMATION ON THE STEPS.
3. IF HEIGHT OF STRUCTURE REQUIRES THAT IT BE CAST IN PIECES, SEAL JOINTS W/ CUT-OFF RAMNECK FLUSH W/ INSIDE OF WALLS & GROUT SECTIONS OF MANHOLE INSIDE & OUTSIDE. WIPE SMOOTH, TYP.
4. FOR STRUCTURES WITH 36" & SMALLER PIPES, THE PIPE DIMENSION SHALL BE 4" MIN. U.N.O. FOR STRUCTURES WITH LARGER THAN 36" THE INSIDE DIMENSION SHALL BE OUTSIDE DIAMETER OF PIPE PLUS 6" CLEARANCE EACH SIDE & ROUNDED UP TO THE NEAREST FOOT, U.N.O.
5. STRUCTURES WITH HDPE PIPE SHALL BE ROUND AND SHALL HAVE A FLEXIBLE BOOT WITH STAINLESS STEEL CLAMP FOR THE PIPE-STRUCTURE JOINT CONNECTION.
6. STRUCTURES SHALL HAVE A 12" SLUMP CONCRETE APRON NOT REQUIRED FOR STRUCTURES LOCATED IN UNDESIRABLE (NON-TRAFFIC) AREAS.
7. STRUCTURES WITH RCP PIPE SHALL BE CAST W/ BLOCKOUTS. KNOCK-OUT PANELS ARE NOT ACCEPTABLE.

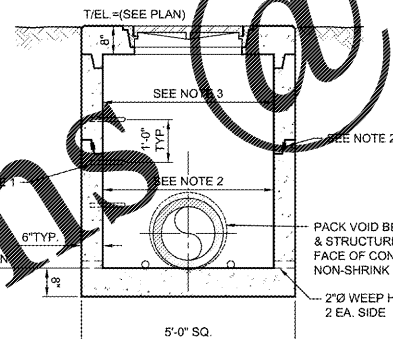
GRATE INLET DETAIL
NO SCALE

A1
C-603



TOP VIEW

MANHOLE RING & COVER:
USF 1110-N SLAB TYPE RING AND COVER SERIES
LOAD RATING - HEAVY DUTY OR EQUAL AS APPROVED



SECTION

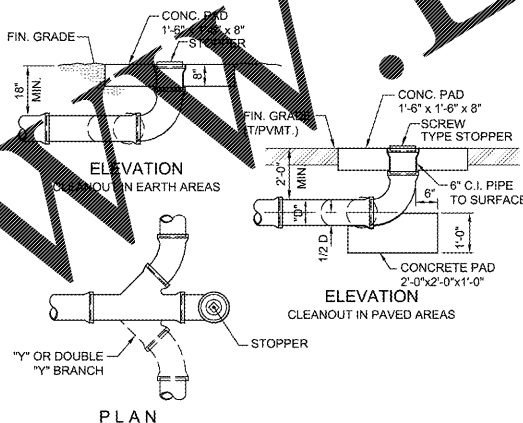
NOTES:

1. STRUCTURES LESS THAN 5 FT. IN HEIGHT (MEASURED FROM THROAT ELEVATION TO STRUCTURE BOTTOM) DO NOT REQUIRE STEPS.
2. SEE SPECIFICATIONS FOR INFORMATION ON THE STEPS.
3. IF HEIGHT OF STRUCTURE REQUIRES THAT IT BE CAST IN PIECES, SEAL JOINTS W/ CUT-OFF RAMNECK FLUSH W/ INSIDE OF WALLS & GROUT SECTIONS OF MANHOLE INSIDE & OUTSIDE. WIPE SMOOTH, TYP.
4. FOR STRUCTURES WITH 36" & SMALLER PIPES, THE INSIDE DIMENSION SHALL BE 4" MIN. U.N.O. FOR STRUCTURES WITH LARGER THAN 36" THE INSIDE DIMENSION SHALL BE OUTSIDE DIAMETER OF PIPE PLUS 6" CLEARANCE EACH SIDE & ROUNDED UP TO THE NEAREST FOOT, U.N.O.
5. STRUCTURES WITH HDPE PIPE SHALL BE ROUND AND SHALL HAVE A FLEXIBLE BOOT WITH STAINLESS STEEL CLAMP FOR THE PIPE-STRUCTURE JOINT CONNECTION.
6. STRUCTURES SHALL HAVE A 12" SLUMP CONCRETE APRON NOT REQUIRED FOR STRUCTURES LOCATED IN UNDESIRABLE (NON-TRAFFIC) AREAS.
7. STRUCTURES WITH RCP PIPE SHALL BE CAST W/ BLOCKOUTS. KNOCK-OUT PANELS ARE NOT ACCEPTABLE.

PRECAST JUNCTION BOX DETAIL
NO SCALE

A2
C-603

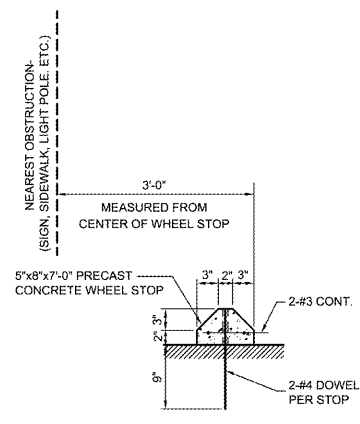
A3
C-603



CLEANOUT DETAILS
NO SCALE

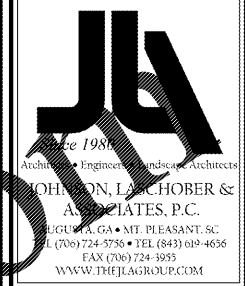
B3
C-603

B4
C-603



CONC. WHEEL STOP DETAIL
NO SCALE

B4
C-603



JOHNSON, LACROBER & ASSOCIATES, P.C.
ARCHITECTS, ENGINEERS AND PLANNERS

CLIENT: AUGUSTA, GA
355 TELFAIR STREET, AUGUSTA, GA 30901
PROJECT NAME: FIRE STATION #20
PROJECT LOCATION: 2820 OLD HIGHWAY 1, HEPHIZIBAH, GEORGIA 30815

REV.	DATE	BY	DESCRIPTION
0	12/21/18	WTE	ISSUED FOR BID

PROJECT NO.	3042.1604
DRAWN BY	DRWN
CHECKED BY	CHK
DATE	8/10/18
SHEET TITLE	CONSTRUCTION DETAILS 3 OF 7

SCALE:	1" = 20'
DRAWING NO.	C-603
REV.	0

This document is the property of Johnson, Lacrober & Associates, P.C. The unauthorized reproduction, copying or otherwise use of this document is strictly prohibited and any infringement thereupon may be subject to legal action.