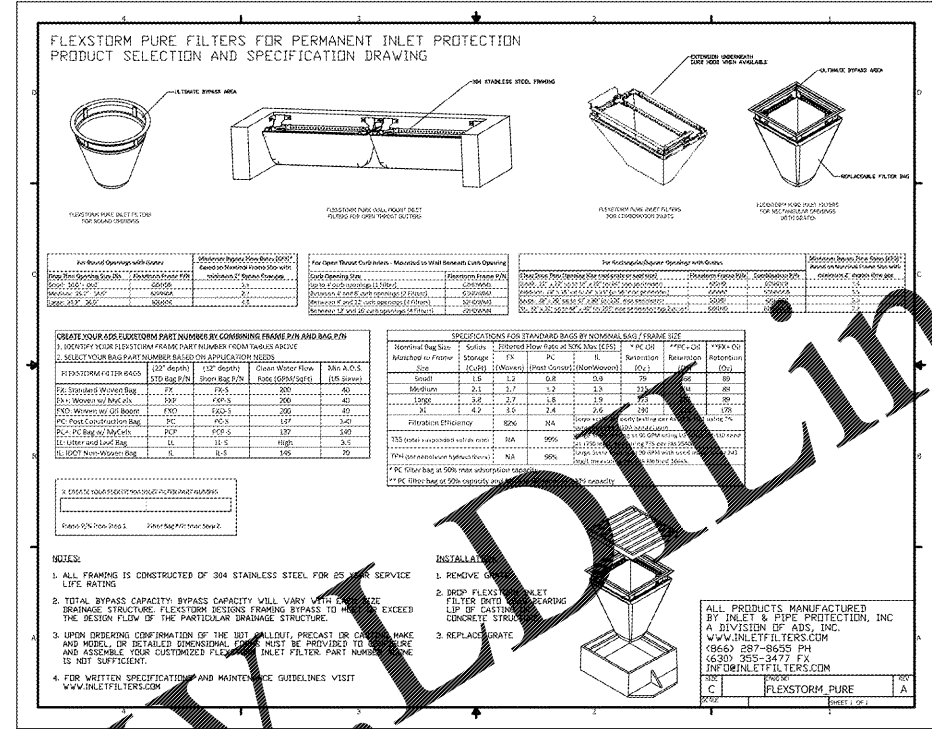


Sd2-F FLEX FILTER INLET SEDIMENT TRAP (TEMPORARY)
NO SCALE



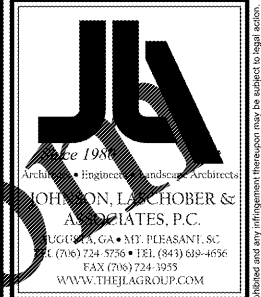
Sd2-F FLEX FILTER INLET SEDIMENT TRAP (PERMANENT)
NO SCALE

CONSTRUCTION SCHEDULE

ITEM	DESCRIPTION	MONTHS OF CONSTRUCTION ACTIVITY											
		1	2	3	4	5	6	7	8	9	10	11	12
PHASE 1 - INITIAL PERIMETER CONTROL													
1	INSTITUTE AND MAINTAIN INSPECTION, MONITORING AND REPORTING PER NPDES REQUIREMENTS												
2	INSTALL INITIAL SEDIMENT CONTROL STRUCTURES												
3	CLEARING & GRUBBING												
PHASE 2 - INTERMEDIATE PHASE													
6	TOPSOIL STRIPPING & STOCKPILING												
7	INSTALL SEDIMENT & POLLUTION CONTROL STRUCTURES												
10	CONSTRUCTION ROAD STABILIZATION												
11	STORM DRAINAGE												
12	MULCHING, TEMPORARY & PERMANENT GRASSING												
13	BUILDINGS												
14	CURB & GUTTER INSTALLATION												
15	BASE AND INITIAL PAVING												
PHASE 3 - FINAL STABILIZATION													
16	SIDEWALKS												
17	PAVING & STRIPING												
18	TOPSOILING, SLOPE STABILIZATION & MATTING												
19	PERMANENT VEGETATION												
20	REMOVAL OF TEMP. SEDIMENT CONTROL STRUCTURES												

- NOTES:**
- OWNERS OR OPERATORS OR BOTH SHALL SUBMIT A NOTICE OF INTENT (NOI) IN ACCORDANCE WITH NPDES REQUIREMENTS AT LEAST 14 DAYS PRIOR TO THE COMMENCEMENT OF CONSTRUCTION ACTIVITIES.
 - CONSTRUCTION SCHEDULE FOR CURB & GUTTER AND BASE & PAVEMENT MAY VARY. BUILDING CONSTRUCTION NOT ALLOWED UNTIL ALL SOIL EROSION & SEDIMENT CONTROL MEASURES ARE PROPERLY IN PLACE.
 - THE ESCAPE OF SEDIMENT FROM THE SITE SHALL BE PREVENTED BY THE INSTALLATION OF EROSION CONTROL MEASURES PRACTICES PRIOR TO, OR CONCURRENT WITH LAND-DISTURBING ACTIVITIES.
 - ACQUIRE NECESSARY PERMIT FOR ANY STATE WATERS & WETLANDS ENCROACHMENTS.
 - DURING CONSTRUCTION, CONTRACTOR SHALL CLEAN AND MAINTAIN SEDIMENT TRAPS PERIODICALLY. ALL STORM DRAIN STRUCTURES SHALL BE FREE OF SEDIMENTS AND OTHER DELETERIOUS MATERIALS BEFORE SECURING TOPS & COVERS FOR FINAL GRADING.

Order Plans



CLIENT: AUGUSTA, GA
535 TELFAIR STREET, AUGUSTA, GA 30901

PROJECT NAME: FIRE STATION #20

PROJECT LOCATION: 2820 OLD HIGHWAY 1, HEPHIZIBAH, GEORGIA 30815

REV	DATE	BY	DESCRIPTION
0	12/21/18	WTB	ISSUED FOR BID

PROJECT NO. 3042.1604
DRAWN BY: DRWN
CHECKED BY: CHK
DATE: 8/10/18

SHEET TITLE: E.S.P.C. NOTES & DETAILS - 3 OF 5

GSWCC GEORGIA SOLID WASTE CONSTRUCTION COMMISSION

WILLIAM T. BUCHANAN
Level II Certified Design Professional

CERTIFICATION NUMBER: 0900065516
ISSUED: 1/25/2018 EXPIRES: 1/25/2021

SCALE: AS NOTED

DRAWING NO: C-506
REV: 0

This document is the property of Johnson, L. L. Hober & Associates, P.C. The unauthorized reproduction, copying or otherwise use of this document is strictly prohibited and any infringement thereon may be subject to legal action.