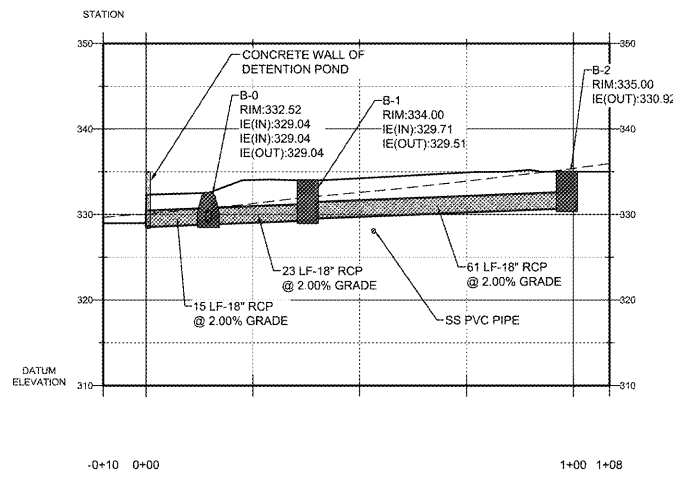


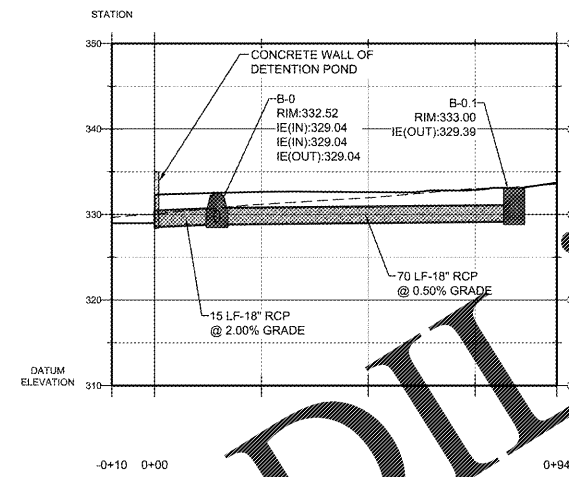
C/L SD-A PROFILE

SCALE: HOR: 1" = 20'
VER: 1" = 10'



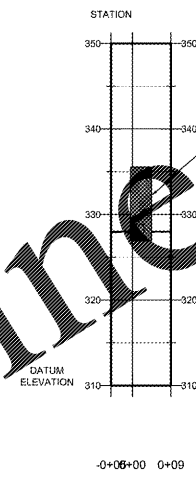
C/L SD-B PROFILE

SCALE: HOR: 1" = 20'
VER: 1" = 10'



C/L SD-B (B-0.1) PROFILE

SCALE: HOR: 1" = 20'
VER: 1" = 10'



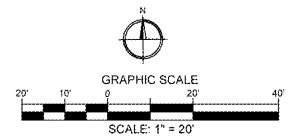
C/L SD-C PROFILE

SCALE: HOR: 1" = 20'
VER: 1" = 10'

STORM SEWER STRUCTURES					
STRUCTURE NO.	TYPE	RIM/GRATE ELEV.	INV.(IN). ELEV.	INV.(OUT) ELEV.	REMARKS
A-0	GRATE INLET	331.34	328.17(SW)	328.17	Reinforced Concrete
B-0	JUNCTION MANHOLE	332.52	329.04(S) 329.04(SE)	329.04	Reinforced Concrete
B-0.1	HOODED BACK TRAP	333.00		329.39	Reinforced Concrete
B-1	GRATE INLET (TRAFFIC)	334.00	329.71(SW)	329.51	Reinforced Concrete
B-2	GRATE INLET (TRAFFIC)	335.00		330.92	Reinforced Concrete
OCS-1	OUTLET CONTROL STRUCTURE	335.49		327.50	Reinforced Concrete

SANITARY SEWER STRUCTURES					
STRUCTURE NO.	TYPE	GRATE ELEV.	INV.(OUT) ELEV.	INV.(IN). ELEV.	REMARKS
SS MH-1	MANHOLE	331.00	328.00	331.99(NW) 328.20(SW)	
SS CO-1	CLEAN OUT	335.21	331.09		
SS CO-1	CLEAN OUT (TRAFFIC)	335.21	332.43	332.43(NW)	
SS CO-2	CLEAN OUT (TRAFFIC)	335.46	332.73		

A1 PROFILE SHEET
C-401



Order Plans @ www.LDILine.com

UTILITIES PROTECTION CENTER
GEORGIA
www.GeorgiaProtect.com
Keep it below. Call it right.
THIRTEEN DAYS BEFORE YOU DIG
(GEORGIA - 1-800-282-7411)

UTILITY WARNING:
The underground utilities shown have been located from field survey information and existing drawings. The engineer makes no guarantee that the underground utilities shown comprise all such utilities in the area, either in service or abandoned. The engineer further does not warrant that the underground utilities shown are in the exact location indicated although he does certify that they are located as accurately as possible from information available. The engineer has not physically located the underground utilities.

JL
JOHN L. LACHOBER & ASSOCIATES, P.C.
ARCHITECTS, ENGINEERS AND LANDSCAPE ARCHITECTS
AUGUSTA, GA • MT. PLEASANT, SC
TEL (706) 724-5755 • TEL (843) 619-4656
FAX (706) 724-5935
WWW.THEJLGROUP.COM

CLIENT: AUGUSTA, GA
555 TELFAIR STREET, AUGUSTA, GA 30901
PROJECT NAME: FIRE STATION #20
PROJECT LOCATION: 2820 OLD HIGHWAY 1, HEPHIZIBAH, GEORGIA 30815

REV.	DATE	BY	DESCRIPTION
0	12/21/18	WTE	ISSUED FOR BID

PROJECT NO.	3042.1604
DRAWN BY	DRWN
CHECKED BY	CHK
DATE	8/10/18
SHEET TITLE	
PROFILE SHEET	
SCALE:	1" = 20'
DRAWING NO.	REV.
C-401	0

This document is the property of Johnson, Lachober & Associates, P.C. The unauthorized reproduction, copying or otherwise use of this document is strictly prohibited and any infringement thereupon may be subject to legal action.