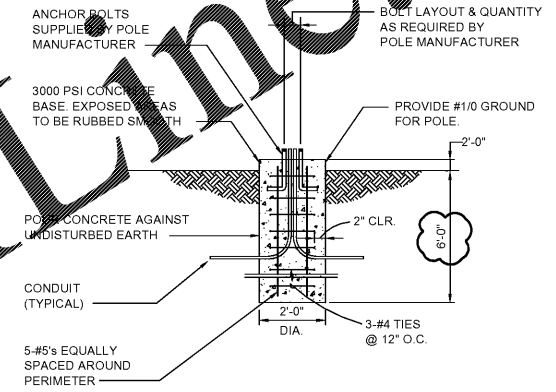
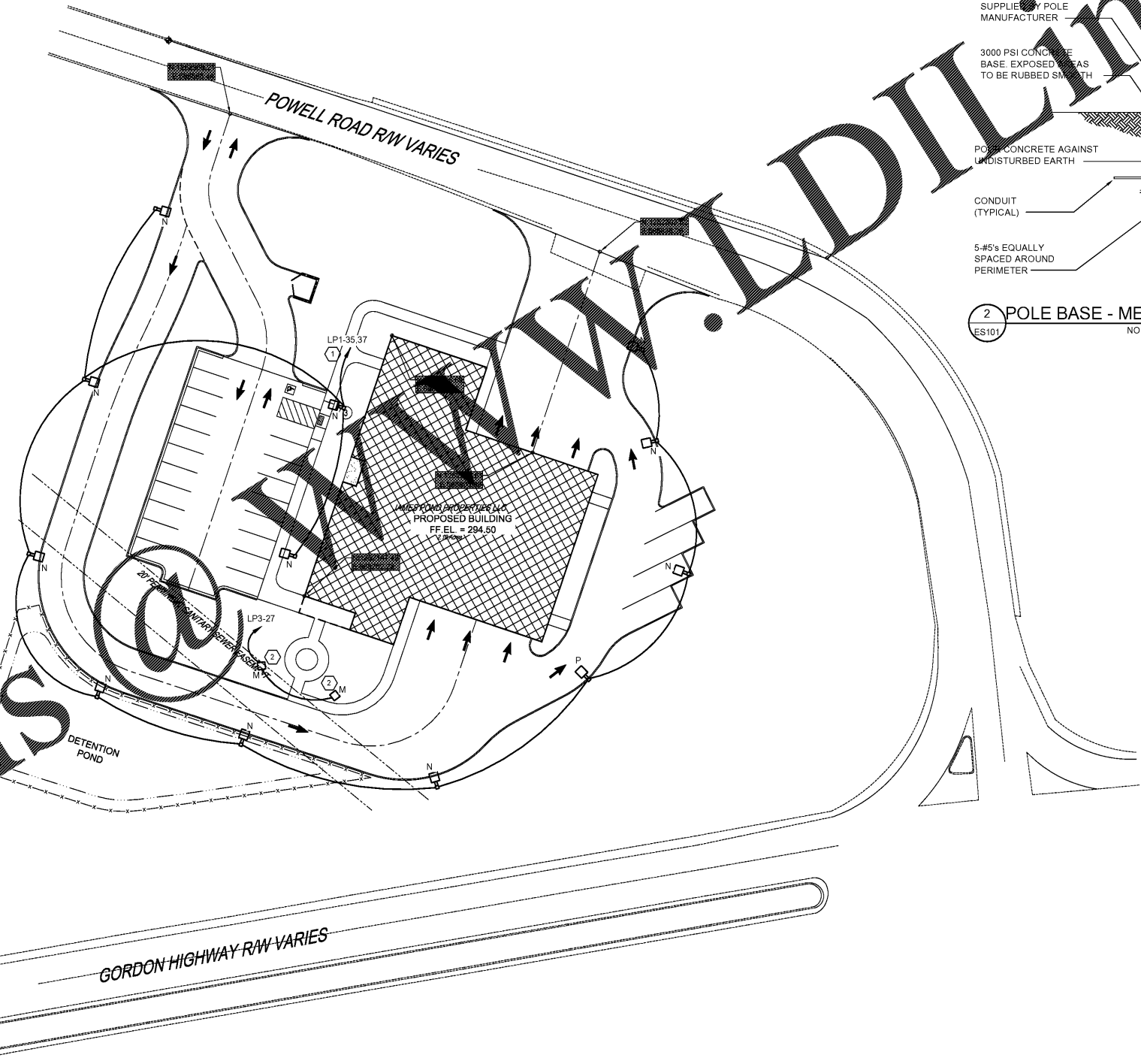


ELECTRICAL SITE PLAN KEYED NOTES:

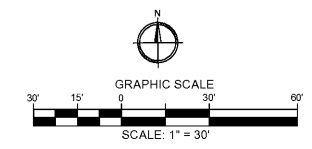
- ① #6 AWG ENTIRE CIRCUIT. PROVIDE PHOTOCELL AND TIME CLOCK TO CONTROL THIS CIRCUIT.
- ② COORDINATE EXACT PLACEMENT WITH FLAG POLE HEIGHT. FIXTURES SHALL BE APPROXIMATELY 1/5 OF THE POLE HEIGHT FROM POLE. FIXTURES SHALL BE PLACED AT APPROXIMATELY 1 DEGREES AROUND POLE.



② POLE BASE - METAL POLE DETAIL
ES101 NO SCALE



① ELECTRICAL SITE PLAN
ES101 SCALE: 1" = 30'



UTILITIES PROTECTION CENTER
FORGIST
Call before you dig.
THREE WORKING DAYS BEFORE YOU DIG
(GEORGIA - 1-800-282-7411)

UTILITY WARNING:
The underground utilities shown have been located from field survey information and existing drawings. The engineer makes no guarantee that the underground utilities shown comprise all such utilities in the area, either in service or abandoned. The engineer further does not warrant that the underground utilities shown are in the exact location indicated although he does certify that they are located as accurately as possible from information available. The engineer has not physically located the underground utilities.

JOHNSON, LASCHOBER & ASSOCIATES, P.C.
1980
ARCHITECTS ENGINEERS PLANNERS ARCHITECTS
AUGUSTA, GA • MT. PLEASANT, SC
TEL (706) 724-5756 • TEL (843) 619-4656
FAX (706) 724-3935
WWW.THEJLAGROUP.COM

CLIENT: AUGUSTA, GA
535 TELFAIR STREET, AUGUSTA, GA 30601

PROJECT NAME: **FIRE STATION #3**

PROJECT LOCATION: 2649 GORDON HWY., AUGUSTA, GA 30609

REV	DATE	BY	DESCRIPTION
0	12/27/18	FAK	ISSUED FOR BID

PROJECT NO. 3042.1604
DRAWN BY: JAP/JFP
CHECKED BY: FAK
DATE: 10/18/17

SHEET TITLE:
ELECTRICAL SITE PLAN

SCALE: 1" = 30'

DRAWING NO. **ES101** REV. **0**

This document is the property of Johnson, Laschober & Associates, P.C. The unauthorized reproduction, copying or otherwise use of this document is strictly prohibited and any infringement thereupon may be subject to legal action.