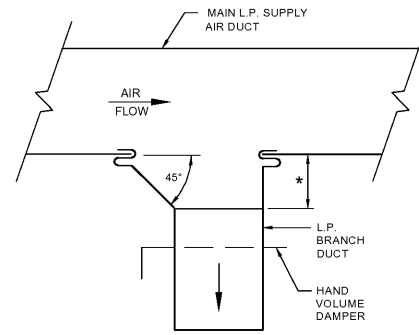


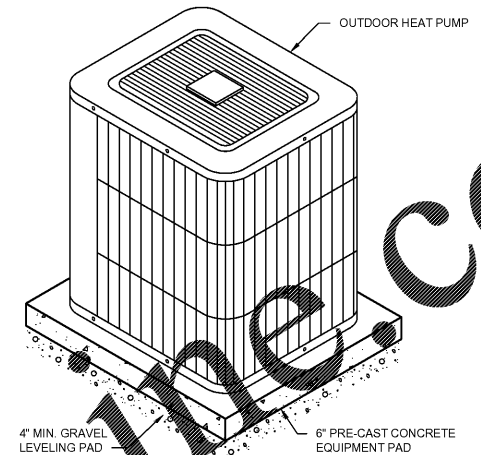
DETAIL - HORIZONTAL AIR HANDLING UNIT MOUNTING

NO SCALE



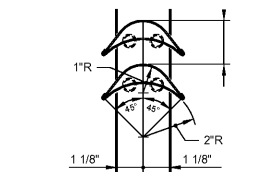
DETAIL - TYPICAL LOW PRESSURE BRANCH DUCT TAKE OFF

NO SCALE

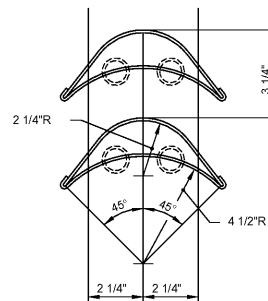


DETAIL - OUTDOOR HEAT PUMP ELEVATION

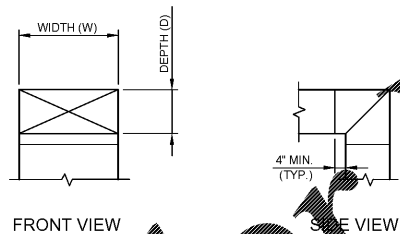
NO SCALE



SMALL DOUBLE VANE ELBOW  
USE FOR ELBOWS UP TO 36" IN WIDTH AND/OR DEPTH



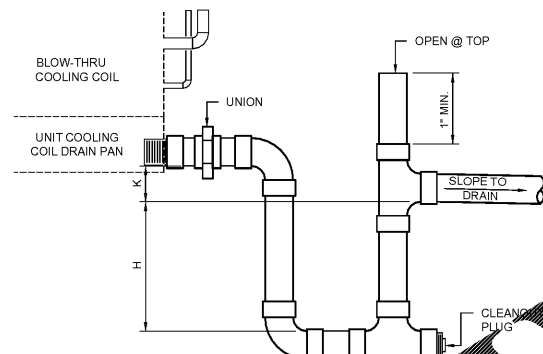
LARGE DOUBLE VANE ELBOW  
USE FOR ELBOWS 36" OR WIDER AND ANY DEPTH



NOTES:  
1. ALL SQUARE OR RECTANGULAR ELBOWS SHALL HAVE ONE OF THE TWO TYPES OF TURN VANES SHOWN ABOVE. SINGLE VANE ELBOWS WILL NOT BE PERMITTED UNLESS SPECIFICALLY INDICATED.  
2. VANES SHALL BE CONSTRUCTED, SUPPORTED AND FASTENED AS PER RECOMMENDATIONS OF SMACNA.  
3. ALL SQUARE OR RECTANGULAR ELBOWS SHOWN ON PLANS FOR CHAUSSURE RETURN DUCTWORK MAY BE MADE RADIUS ELBOWS UNLESS SPACE PERMITS RADIUS INSTALLATION.  
4. ALL SQUARE OR RECTANGULAR ELBOWS SHOWN ON PLANS FOR SUPPLY DUCTWORK MAY BE MADE RADIUS ELBOWS PROVIDED SPACE PERMITS RADIUS INSTALLATION AND/OR THERE ISN'T AN OUTLET OR TAKE-OFF WITHIN 5D ON THE DOWNSTREAM SIDE OF THE ELBOW.

DETAIL - TYPICAL ELBOW

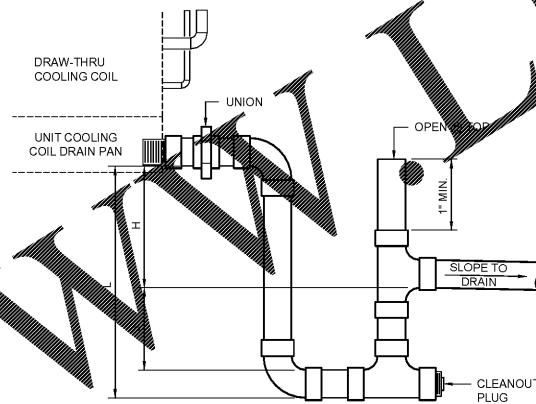
NO SCALE



NOTES:  
1. DRAIN LINE CONNECTION SIZE SAME AS UNIT DRAIN SIZE.  
2. EXTEND DRAIN PIPING TO SPECIFIED LOCATION ON HVAC PLAN.  
3. DRAIN LINE TO BE SUPPORTED EVERY 4' WITH 3/8" ROD AND LIGHT-DUTY CLEVIS HANGER.  
4. K = MIN. 1/2"  
5. H = 1/2" + MAXIMUM TOTAL STATIC PRESSURE

DETAIL - CONDENSATE DRAIN TRAP

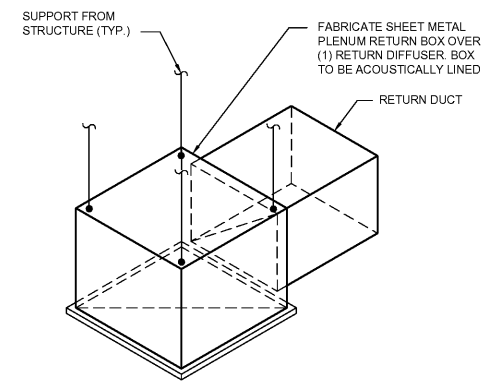
NO SCALE POSITIVE PRESSURE TRAP



NOTES:  
1. DRAIN LINE CONNECTION SIZE SAME AS UNIT DRAIN SIZE.  
2. EXTEND DRAIN PIPING TO SPECIFIED LOCATION ON HVAC PLAN.  
3. DRAIN LINE TO BE SUPPORTED EVERY 4' WITH 3/8" ROD AND LIGHT-DUTY CLEVIS HANGER.  
4. H = (1" FOR EACH 1" OF MAXIMUM NEGATIVE STATIC PRESSURE) + 1"  
5. J = 1/2 OF H  
6. L = H + J + PIPE DIA.

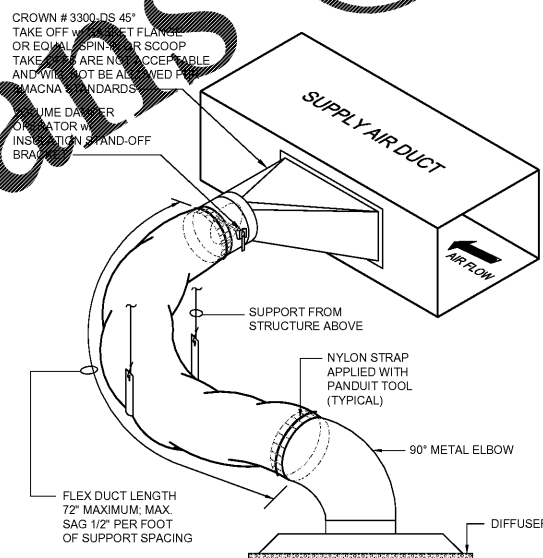
DETAIL - CONDENSATE DRAIN TRAP

NO SCALE NEGATIVE PRESSURE TRAP



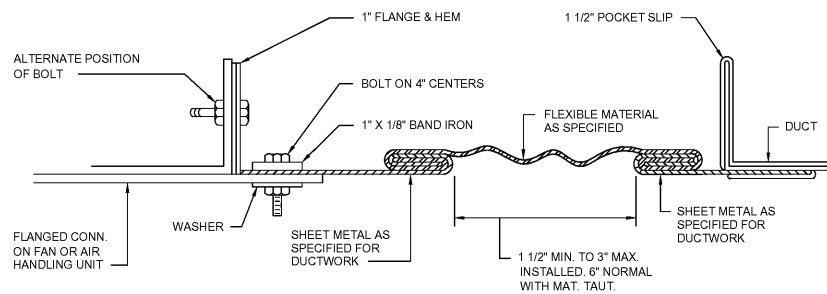
DETAIL - ONE GRILLE RETURN PLENUM BOX

NO SCALE



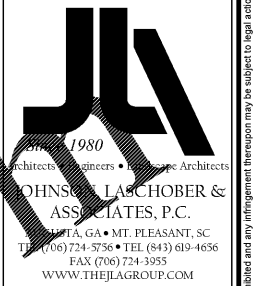
FLEX DUCT TAKE-OFF DETAIL

NO SCALE



RECTANGULAR FLEXIBLE CONNECTION DETAIL

NO SCALE



CLIENT: AUGUSTA, GA  
535 TELFAIR STREET, AUGUSTA, GA 30601

PROJECT NAME: FIRE STATION #3

PROJECT LOCATION: 2649 GORDON HWY., AUGUSTA, GA 30609

REV	DATE	BY	DESCRIPTION
0	12/27/18	MNB	ISSUED FOR BID

PROJECT NO. 3042.1604  
DRAWN BY: MNB  
CHECKED BY: CVW  
DATE: 10/18/17

SHEET TITLE: HVAC DETAILS

SCALE: AS NOTED

DRAWING NO. M-202 REV. 0