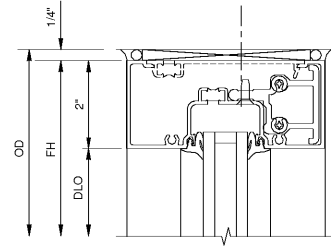
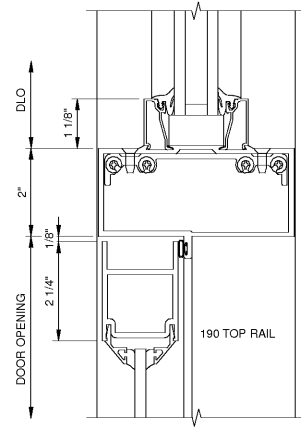


**ENTRANCE DETAIL 6  
TRANSOM HEAD**



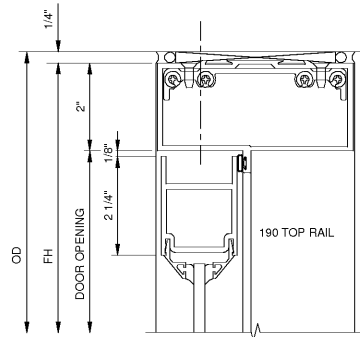
451T126 SHIM SUPPORT  
451CG525 SHEAR BLOCK PKG  
451TCG001 HEAD

**ENTRANCE DETAIL 7  
TRANSOM BAR**  
SINGLE ACTING  
FOR SURFACE CLOSER



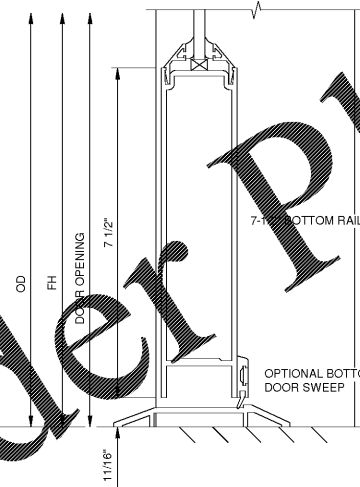
450506 S/A T-BAR CLIP PACKAGE  
451502 S/A T-BAR WITH WEATHERING  
450022 GLASS STOP

**ENTRANCE DETAIL 7A  
HEADER**  
SINGLE ACTING  
FOR SURFACE CLOSER

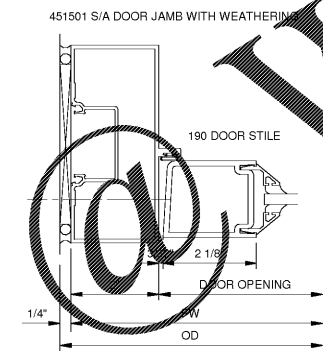
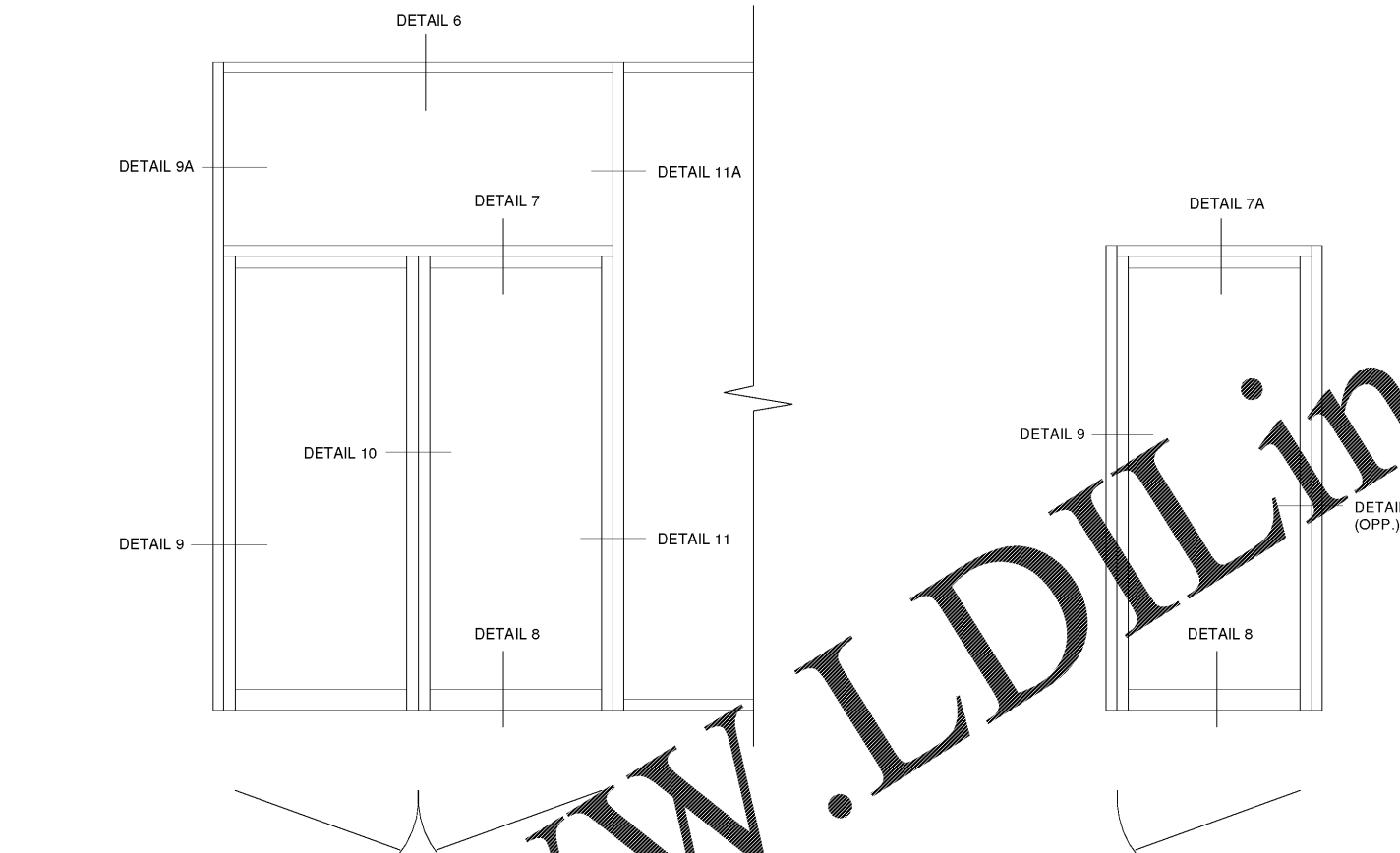


450506 S/A HEADER CLIP PACKAGE  
451502 S/A HEADER WITH WEATHERING

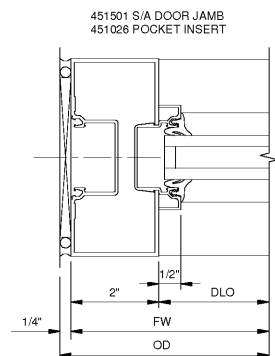
**ENTRANCE DETAIL 8  
STD. BOTTOM RAIL**  
SINGLE ACTING



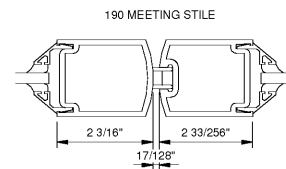
**1 STOREFRONT ENTRANCE ELEVATION**  
SCALE: 6" = 1'-0"



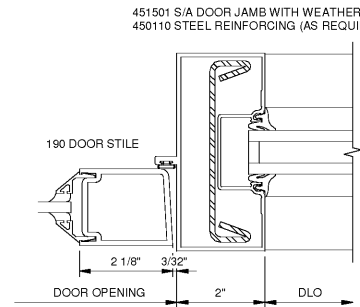
**ENTRANCE DETAIL 9  
DOOR JAMB**  
SINGLE ACTING



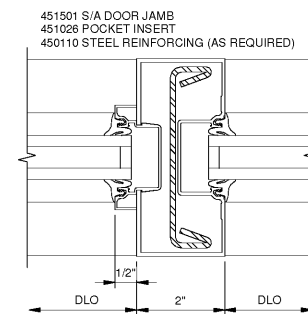
**ENTRANCE DETAIL 9A  
DOOR JAMB  
AT TRANSOM AREA**



**ENTRANCE DETAIL 10  
MEETING STILES**



**ENTRANCE DETAIL 11  
DOOR JAMB**  
SINGLE ACTING  
WITH SIDELITE



**ENTRANCE DETAIL 11A  
DOOR JAMB  
AT TRANSOM AREA**

KAWNEER TRIFAB 451T (THERMAL) FRAMING SYSTEM CENTER SET - ENTRANCE DETAILS  
OFFSET PIVOT/BUTT HUNG WITH SURFACE CLOSER  
1" INFILL FOR EXTERIOR AND 1/4" INFILL FOR INTERIOR (NON-THERMAL) OR APPROVED EQUAL. INSTALL PER MANUFACTURERS SPECIFICATIONS

1980  
Architects • Engineers • Landscape Architects  
**JOHNSON, LASCHOBER & ASSOCIATES, P.C.**  
1000 W. GA. AVE. • MT. PLEASANT, SC  
TEL: (706) 724-5756 • TEL: (843) 619-4656  
FAX: (706) 724-3995  
WWW.THEJLAGROUP.COM

CLIENT: **AUGUSTA, GA**  
535 TELFAIR STREET, AUGUSTA, GA 30901

PROJECT NAME: **FIRE STATION #3**

PROJECT LOCATION: **2649 GORDON HWY., AUGUSTA, GA 30909**

REV	DATE	ISSUED FOR BID	DESCRIPTION
0	12/21/18		

PROJECT NO. 3042.1604  
DRAWN BY: CTH  
CHECKED BY: WLD  
DATE: 8/10/18

SHEET TITLE:  
**STOREFRONT  
ENTRANCE  
DETAILS**

SCALE: AS NOTED  
DRAWING NO. **A-703** REV: **0**

**Order Plans**

KAWNEER "1" NARROW STILE DOOR SHOWN ON THESE DETAILS. OTHER KAWNEER DOORS MAY BE USED

This document is the property of Johnson, Laschober & Associates, P.C. The unauthorized reproduction, copying or otherwise use of this document is strictly prohibited and any infringement thereon may be subject to legal action.