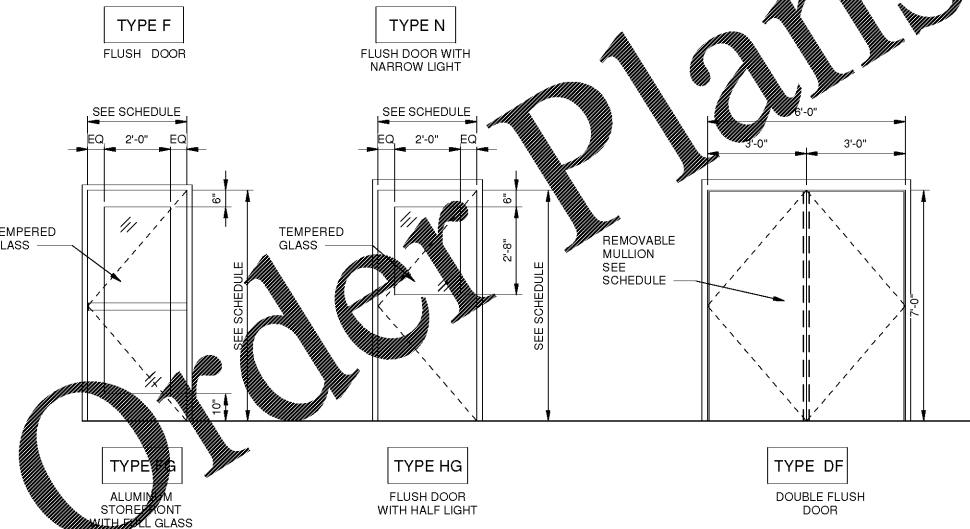
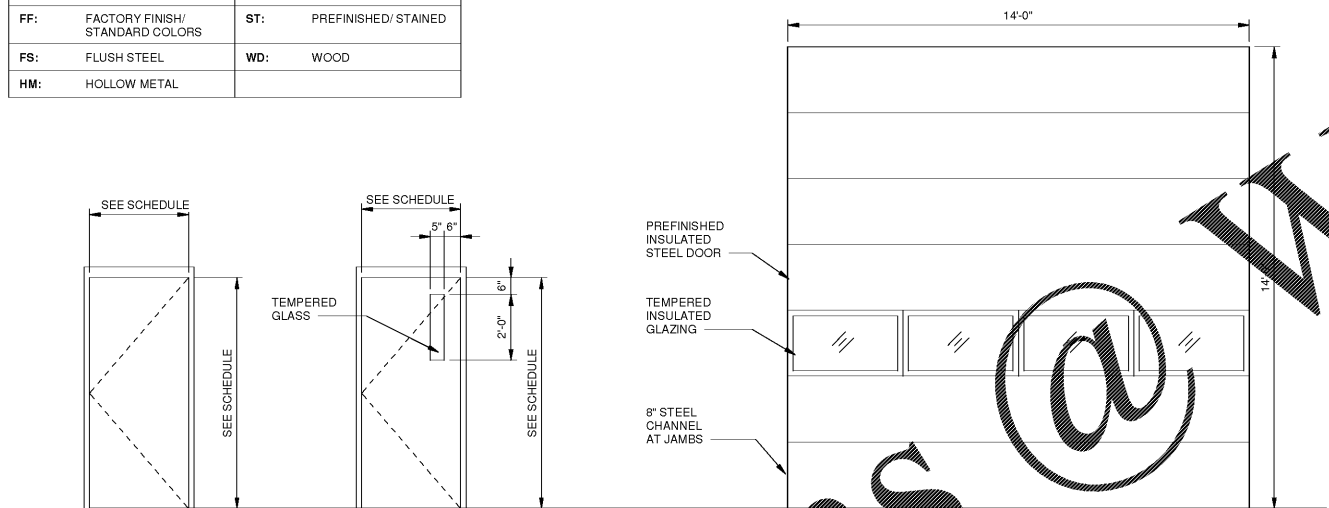


DOOR SCHEDULE

DOOR NO.	TYPE	WIDTH	HEIGHT	THICKNESS	DOOR				FRAME				COMMENTS
					MATERIAL	FINISH	FIRE RATING	HARDWARE	TYPE	MATERIAL	FINISH	JAMB	
100.1	F	3'-0"	7'-0"	0'-1 3/4"	FS	PT			STEEL	PT			INSULATED
100.2	N	3'-0"	7'-0"	0'-1 3/4"	FS	PT			STEEL	PT			INSULATED
100.3	F	3'-0"	7'-0"	0'-1 3/4"	FS	PT			STEEL	PT			INSULATED
100.4	N	3'-0"	7'-0"	0'-1 3/4"	FS	PT			STEEL	PT			INSULATED
101.1	FG	3'-0"	7'-0"	0'-1 3/4"	ALUM	FF			STEEL	PT			ALUMINUM STOREFRONT
101.2	N	3'-0"	7'-0"	0'-1 3/4"	SCW	ST			STEEL	PT			
102.1	N	3'-0"	7'-0"	0'-1 3/4"	SCW	ST			STEEL	PT			
102.2	N	3'-0"	7'-0"	0'-1 3/4"	SCW	ST			STEEL	PT			
102A	F	3'-0"	7'-0"	0'-1 3/4"	SCW	ST			STEEL	PT			
103	F	3'-0"	7'-0"	0'-1 3/4"	SCW	ST			STEEL	PT			
104	F	3'-0"	7'-0"	0'-1 3/4"	SCW	ST	1 HR		STEEL	PT			
105	F	3'-0"	7'-0"	0'-1 3/4"	SCW	ST			STEEL	PT			
106	HG	3'-6"	7'-0"	0'-1 3/4"	SCW	ST			STEEL	PT			
107	N	3'-0"	7'-0"	0'-1 3/4"	SCW	ST			STEEL	PT			
109	F	3'-6"	7'-0"	0'-1 3/4"	FS	PT	1 1/2 HR		STEEL	PT			INSULATED
110	FG	3'-0"	7'-0"	0'-1 3/4"	ALUM	FF			STEEL	PT			ALUMINUM STOREFRONT
111	F	3'-6"	7'-0"	0'-1 3/4"	SCW	PT			STEEL	PT			
112	F	3'-0"	7'-0"	0'-1 3/4"	SCW	PT	1 HR		STEEL	PT			
113	F	3'-6"	7'-0"	0'-1 3/4"	SCW	PT			STEEL	PT			
114	F	3'-0"	7'-0"	0'-1 3/4"	SCW	PT	1 HR		STEEL	PT			
115	F	3'-0"	7'-0"	0'-1 3/4"	SCW	PT			STEEL	PT			
116	F	3'-0"	7'-0"	0'-1 3/4"	SCW	PT	1 HR		STEEL	PT			
117	F	3'-0"	7'-0"	0'-1 3/4"	SCW	PT			STEEL	PT			
118	F	3'-0"	7'-0"	0'-1 3/4"	SCW	PT	1 HR		STEEL	PT			
119	F	3'-0"	7'-0"	0'-1 3/4"	SCW	PT			STEEL	PT			
120	F	3'-0"	7'-0"	0'-1 3/4"	SCW	PT	1 HR		STEEL	PT			
121	F	3'-0"	7'-0"	0'-1 3/4"	SCW	PT			STEEL	PT			
122	FG	3'-0"	7'-0"	0'-1 3/4"	ALUM	FF			STEEL	PT			ALUMINUM STOREFRONT
122.1	N	3'-0"	7'-0"	0'-1 3/4"	SCW	PT			STEEL	PT			
123.1	N	3'-6"	7'-0"	0'-1 3/4"	SCW	PT	1 1/2 HR		STEEL	PT			INSULATED, D-H-90 GLAZING
123.2	HG	3'-6"	7'-0"	0'-1 3/4"	SCW	PT			STEEL	PT			
124	N	3'-6"	7'-0"	0'-1 3/4"	SCW	PT	1 1/2 HR		STEEL	PT			INSULATED, D-H-90 GLAZING
201	DF	6'-0"	7'-0"	0'-1 3/4"	FS	PT	1 1/2 HR		STEEL	PT			
B1.1	BSD	14'-0"	14'-0"	0'-2"	ALUM	FF			STEEL	PT			INSULATED
B1.2	BSD	14'-0"	14'-0"	0'-2"	ALUM	FF			STEEL	PT			INSULATED
B2.1	BSD	14'-0"	14'-0"	0'-2"	ALUM	FF			STEEL	PT			INSULATED
B2.2	BSD	14'-0"	14'-0"	0'-2"	ALUM	FF			STEEL	PT			INSULATED
B3.1	BSD	14'-0"	14'-0"	0'-2"	ALUM	FF			STEEL	PT			INSULATED
B3.2	BSD	14'-0"	14'-0"	0'-2"	ALUM	FF			STEEL	PT			INSULATED

DOOR LEGEND

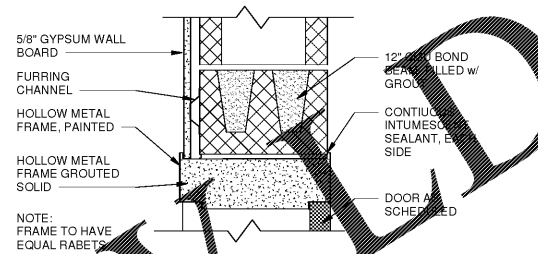
ALUM:	ALUMINUM	ID:	INSULATED
CO:	CASED OPENING	PT:	PAINT
EXIST/EX:	EXISTING	SCW:	SOLID CORE WOOD
FF:	FACTORY FINISH/ STANDARD COLORS	ST:	PREFINISHED/ STAINED
FS:	FLUSH STEEL	WD:	WOOD
HM:	HOLLOW METAL		



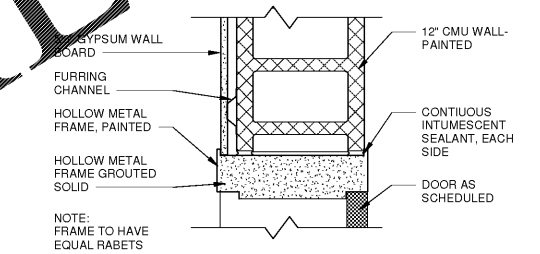
DOOR TYPES
SCALE: 3/8" = 1'-0"

SLIDING WINDOW SILL
SCALE: 1 1/2" = 1'-0"

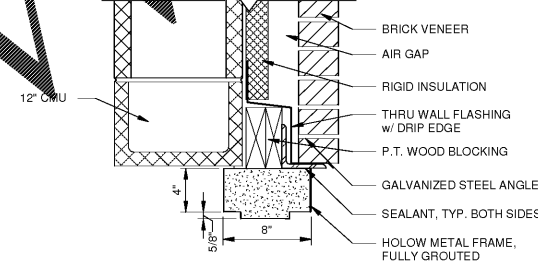
1 HEAD DETAIL- 6" STUD
SCALE: 3" = 1'-0"



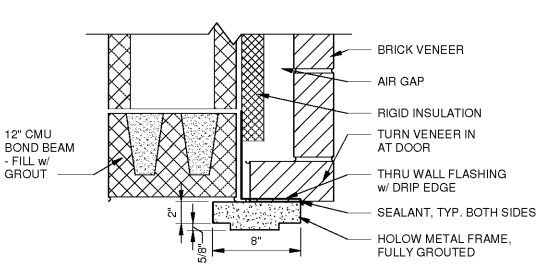
2 JAMB DETAIL- 6" STUD
SCALE: 3" = 1'-0"



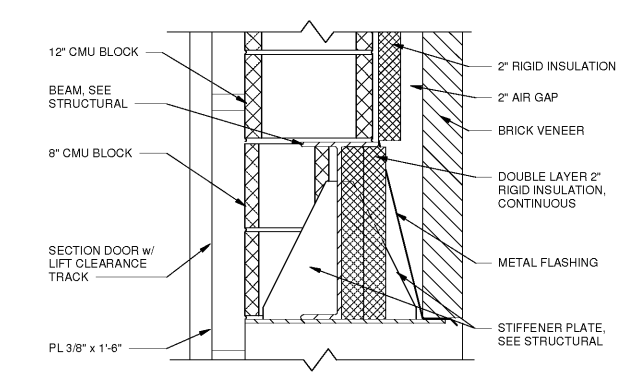
3 HEAD DETAIL- CMU
SCALE: 1 1/2" = 1'-0"



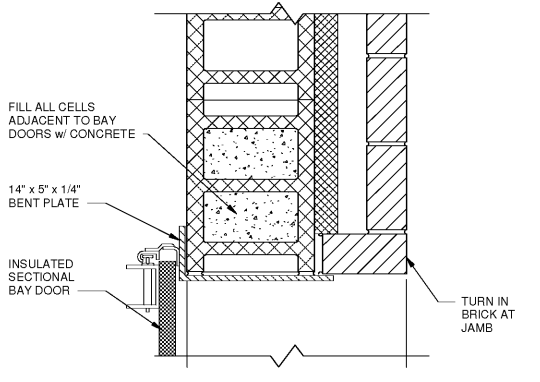
4 JAMB DETAIL- CMU
SCALE: 1 1/2" = 1'-0"



5 JAMB DETAIL- CMU & BRICK
SCALE: 1 1/2" = 1'-0"



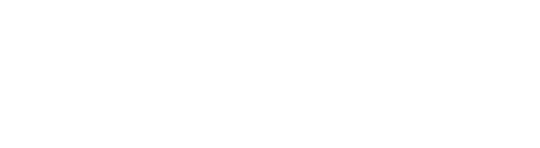
6 HEAD DETAIL- CMU & BRICK
SCALE: 1 1/2" = 1'-0"



7 HEAD DETAIL- OVERHEAD DOOR
SCALE: 1 1/2" = 1'-0"



8 JAMB DETAIL- OVERHEAD DOOR
SCALE: 1 1/2" = 1'-0"



THE JAG GROUP
Architects • Engineers • Planners • Architects
JOHNSON, LASCHNER & ASSOCIATES, P.C.
1000 W. GA. HWY. • MT. PLEASANT, SC
TEL: (706) 724-5736 • TEL: (843) 619-4656
FAX: (706) 724-3935
WWW.THEJAGROUP.COM

CLIENT: AUGUSTA, GA
535 TELFAIR STREET, AUGUSTA, GA 30901
PROJECT NAME: **FIRE STATION #3**
PROJECT LOCATION: 2649 GORDON HWY., AUGUSTA, GA 30909

NO.	DATE	BY	DESCRIPTION
0	12/21/18		ISSUED FOR BID
1			
2			
3			
4			
5			
6			
7			
8			
9			

PROJECT NO: 3042.1604
DRAWN BY: JAP/CBW
CHECKED BY: WLD
DATE: 8/10/18
SHEET TITLE: **DOOR & WINDOW SCHEDULES, DETAILS**
SCALE: AS NOTED
DRAWING NO: **A-701**
REV: 0

12/21/2018 4:53:30 PM C:\REVIT - Local Projects\3042.1604-August Fire Station\30421604_05_ARCHITECTURAL\LOCAL_CWALIER.rvt