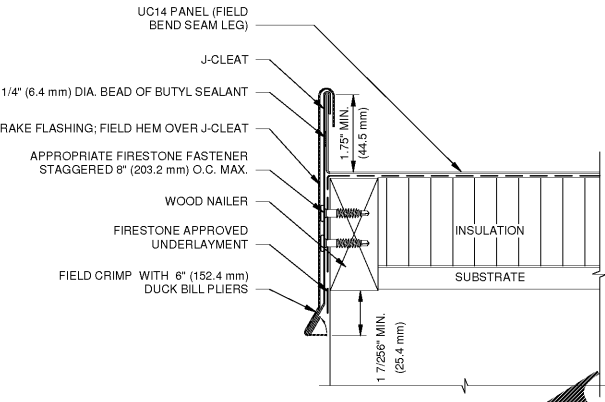


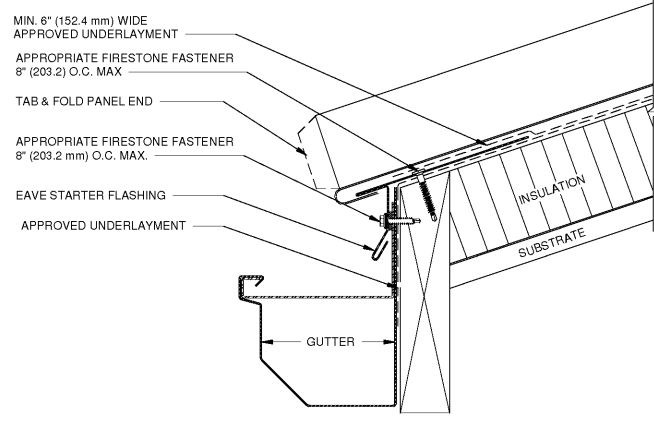
1 RAKE WITH HEMMED EDGE
NO SCALE

- NOTES:
1. REFER TO FIRESTONE WEBSITE FOR MOST CURRENT INFORMATION.
 2. REFER TO TECHNICAL INFORMATION SHEETS FOR FASCIA SIZES, ACCESSORIES, AND FINISHES AVAILABLE.
 3. WOOD NAILER MUST BE INSTALLED TO MEET APPLICABLE BUILDING CODES OR 200 LBS PER LINEAR FOOT MINIMUM IN ANY GIVEN DIRECTION.
 4. REFER TO THE FIRESTONE TECHNICAL DATABASE FOR FASTENER/METAL COMPATIBILITY.
 5. APPLICATION DETAILS ARE FOR ILLUSTRATION PURPOSES ONLY AND MAY NOT BE APPROPRIATE FOR ALL BUILDING DESIGNS AND CONDITIONS.



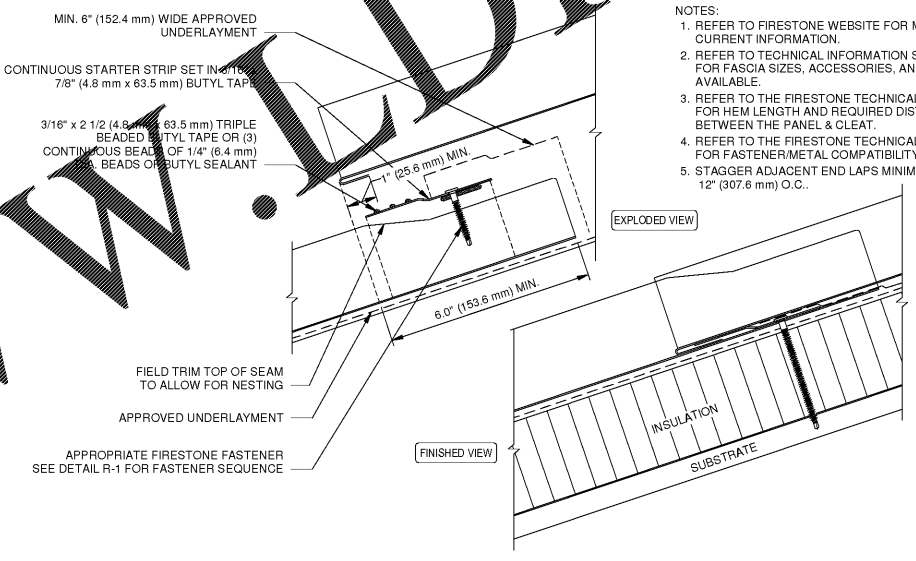
2 RAKE DETAIL WITH J-CLEAT
NO SCALE

- NOTES:
1. REFER TO FIRESTONE WEBSITE FOR MOST CURRENT INFORMATION.
 2. REFER TO TECHNICAL INFORMATION SHEETS FOR FASCIA SIZES, ACCESSORIES, AND FINISHES AVAILABLE.
 3. WOOD NAILER MUST BE INSTALLED TO MEET APPLICABLE BUILDING CODES OR 200 LBS PER LINEAR FOOT MINIMUM IN ANY GIVEN DIRECTION.
 4. REFER TO THE FIRESTONE TECHNICAL DATABASE FOR FASTENER/METAL COMPATIBILITY.
 5. APPLICATION DETAILS ARE FOR ILLUSTRATION PURPOSES ONLY AND MAY NOT BE APPROPRIATE FOR ALL BUILDING DESIGNS AND CONDITIONS.



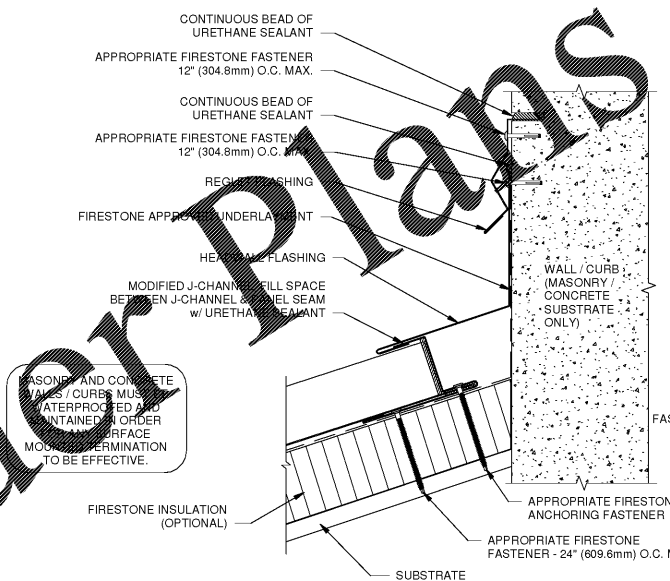
3 SLIDING VIEW AT GUTTER
NO SCALE

- NOTES:
1. REFER TO FIRESTONE WEBSITE FOR MOST CURRENT INFORMATION.
 2. REFER TO TECHNICAL INFORMATION SHEETS FOR FASCIA SIZES, ACCESSORIES, AND FINISHES AVAILABLE.
 3. WOOD NAILER MUST BE INSTALLED TO MEET APPLICABLE BUILDING CODES OR 200 LBS PER LINEAR FOOT MINIMUM IN ANY GIVEN DIRECTION.
 4. ROUND ALL METAL CORNERS AND PLACE BACK OF GUTTER STRAP 1/4" (6.4 mm) BELOW TOP OF WOOD NAILER.
 5. REFER TO THE FIRESTONE TECHNICAL DATABASE FOR FASTENER COMPATIBILITY WITH METAL.
 6. REFER TO THE FIRESTONE TECHNICAL DATABASE FOR HEM LENGTH AND REQUIRED DISTANCE BETWEEN THE PANEL AND CLEAT.
 7. APPLICATION DETAILS ARE FOR ILLUSTRATION PURPOSES ONLY AND MAY NOT BE APPROPRIATE FOR ALL BUILDING DESIGNS AND CONDITIONS.



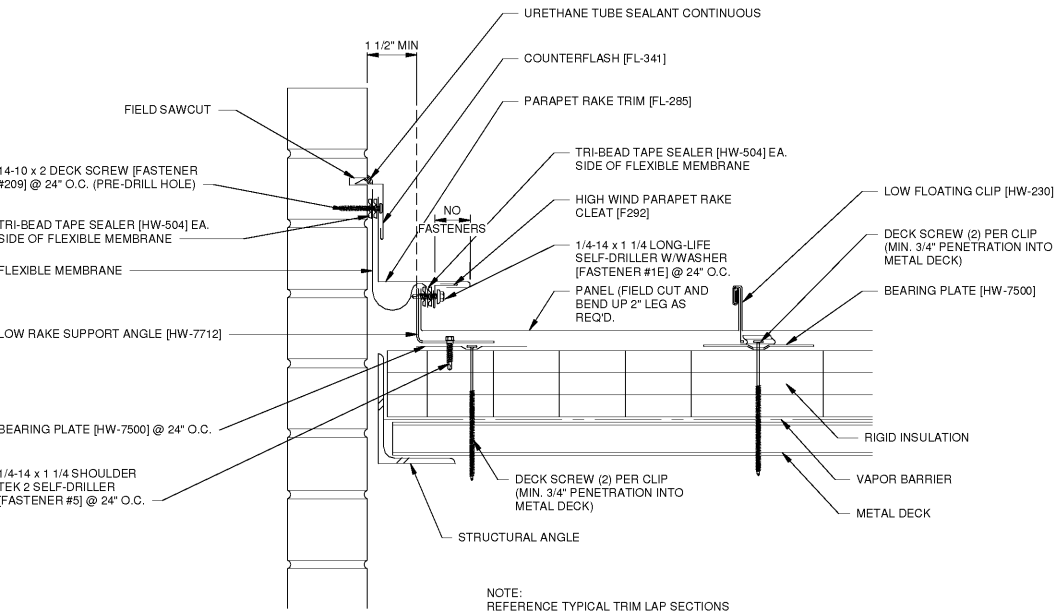
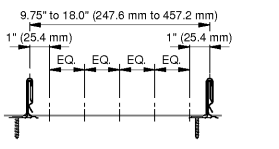
4 END LAP
NO SCALE

- NOTES:
1. REFER TO FIRESTONE WEBSITE FOR MOST CURRENT INFORMATION.
 2. REFER TO TECHNICAL INFORMATION SHEETS FOR FASCIA SIZES, ACCESSORIES, AND FINISHES AVAILABLE.
 3. REFER TO THE FIRESTONE TECHNICAL DATABASE FOR HEM LENGTH AND REQUIRED DISTANCE BETWEEN THE PANEL & CLEAT.
 4. REFER TO THE FIRESTONE TECHNICAL DATABASE FOR FASTENER/METAL COMPATIBILITY.
 5. STAGGER ADJACENT END LAPS MINIMUM 12" (307.8 mm) O.C..



5 FIRESTONE HEADWALL WITH MODIFIED J-CHANNEL AT REGLET
NO SCALE

- NOTES:
1. REFER TO FIRESTONE WEBSITE FOR MOST CURRENT INFORMATION.
 2. REFER TO TECHNICAL INFORMATION SHEETS FOR FASCIA SIZES, ACCESSORIES, AND FINISHES AVAILABLE.
 3. REFER TO THE FIRESTONE TECHNICAL DATABASE FOR FASTENER/METAL COMPATIBILITY.
 4. APPLICATION DETAILS ARE FOR ILLUSTRATION PURPOSES ONLY AND MAY NOT BE APPROPRIATE FOR ALL BUILDING DESIGNS AND CONDITIONS.



6 PARAPET WALL - MASONRY
NO SCALE

NOTE: REFERENCE TYPICAL TRIM LAP SECTIONS

WWW.LDILINE.COM

Order Plans @

1980
Architects • Engineers • Architects
JOHNSON, LASHCOBER &
ASSOCIATES, P.C.
1001 W. GA. HWY. MTL. PLEASANT, SC
TEL: (706) 724-5756 • TEL: (843) 619-4656
FAX: (706) 724-3995
WWW.THEJLAGROUP.COM

CLIENT: AUGUSTA, GA
535 TELFAIR STREET, AUGUSTA, GA 30901

PROJECT NAME: FIRE STATION #3

PROJECT LOCATION: 2649 GORDON HWY., AUGUSTA, GA 30909

REV	DATE	BY	ISSUED FOR	DESCRIPTION
0	12/21/18			

PROJECT NO.	3042.1604
DRAWN BY:	CTH
CHECKED BY:	WLD
DATE:	8/10/18
SHEET TITLE:	METAL ROOF DETAILS

SCALE AS NOTED

DRAWING NO. **A-302**

REV. **0**