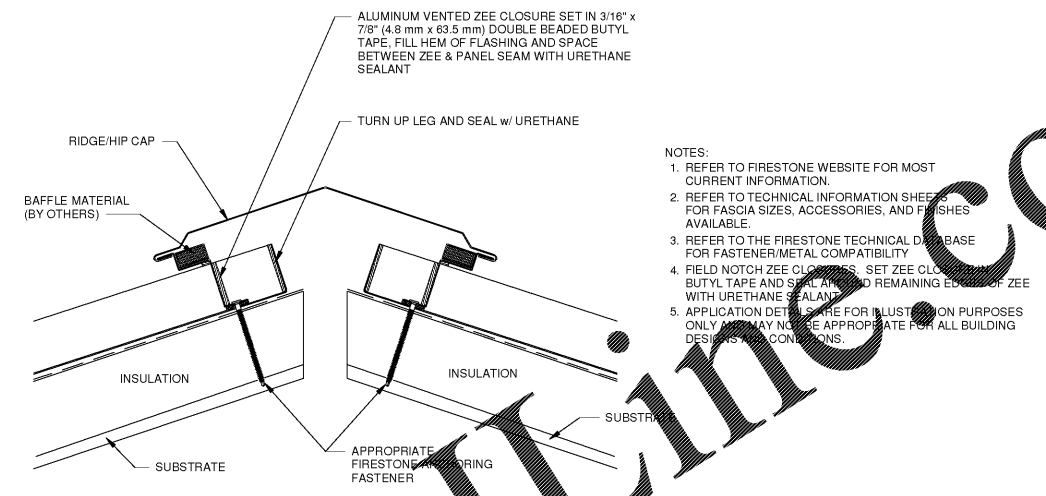
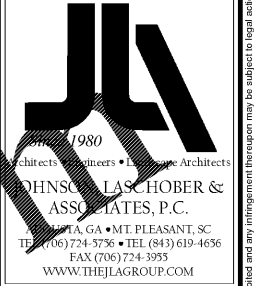


1

2

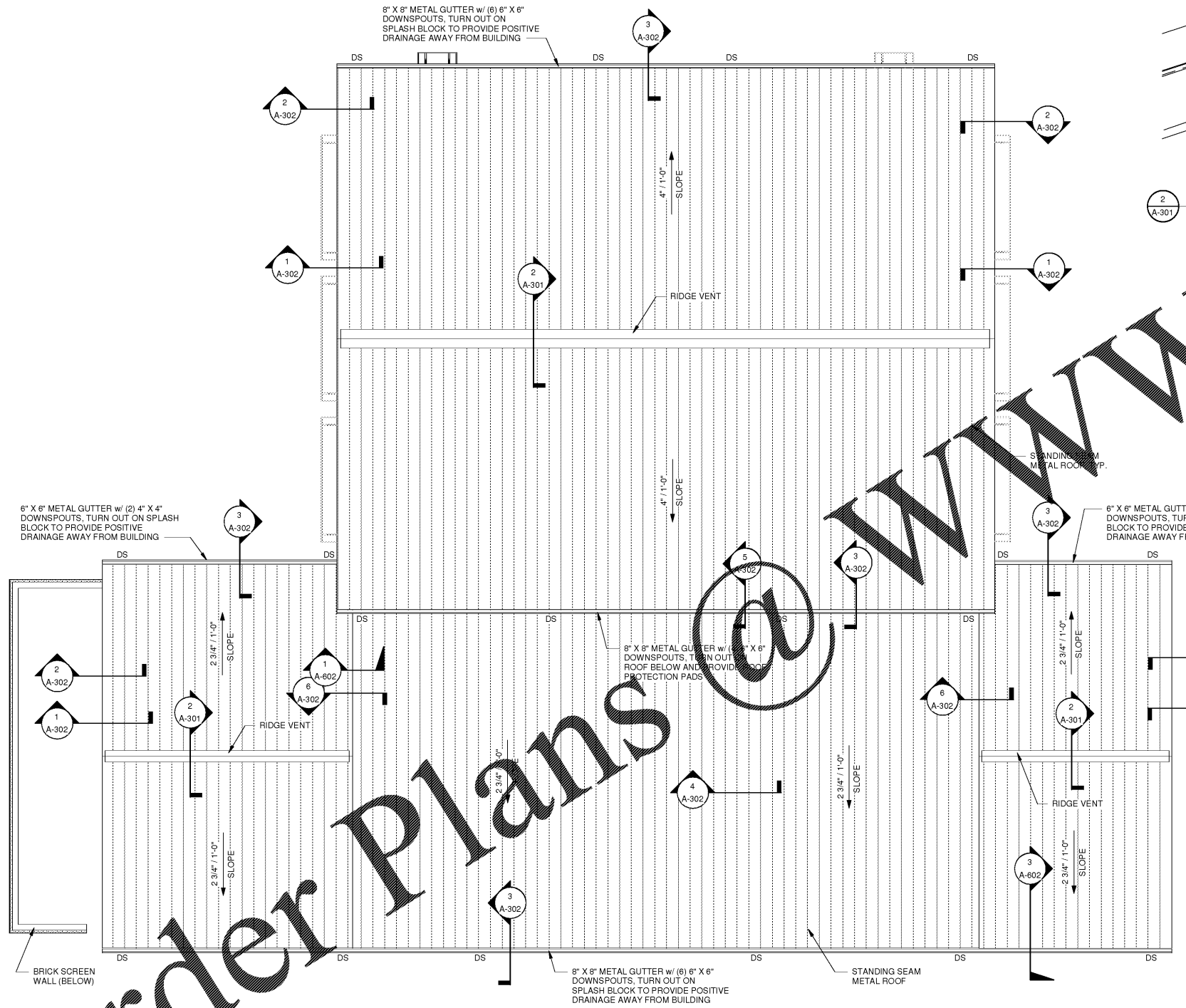
3

4



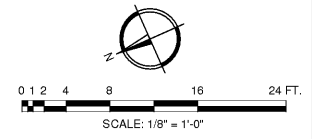
- NOTES:
1. REFER TO FIRESTONE WEBSITE FOR MOST CURRENT INFORMATION.
 2. REFER TO TECHNICAL INFORMATION SHEETS FOR FASCIA SIZES, ACCESSORIES, AND FINISHES AVAILABLE.
 3. REFER TO THE FIRESTONE TECHNICAL DATA BASE FOR FASTENER/METAL COMPATIBILITY.
 4. FIELD NOTCH ZEE CLOSURES SET ZEE CLOSURE BUTYL TAPE AND SEALANT TO REMAINING EDGE OF ZEE WITH URETHANE SEALANT.
 5. APPLICATION DETAILS ARE FOR ILLUSTRATION PURPOSES ONLY. THEY MAY NOT BE APPROPRIATE FOR ALL BUILDING DESIGNS OR CONDITIONS.

2 VENTED RIDGE WITH Z-CLOSURE
SCALE: 6" = 1'-0"



ALTERNATE # 2
STRUCTURAL METAL DECK AND RIGID INSULATION WILL BE REPLACED w/ STRUCTURAL INSULATED PANELS (SIP) (R20ci MIN). STANDING SEAM METAL ROOF WILL BE REPLACED WITH A 35 YEAR ARCHITECTURAL SHINGLE ROOF. THESE SUBSTITUTIONS ARE FOR BOTH THE HIGH AND THE LOW ROOF.

1 ROOF BEARING HIGH
SCALE: 1/8" = 1'-0"



CLIENT: AUGUSTA, GA
535 TELFAIR STREET, AUGUSTA, GA 30901

PROJECT NAME: FIRE STATION #3

PROJECT LOCATION: 2849 GORDON HWY., AUGUSTA, GA 30909

REV	DATE	BY	ISSUED FOR BID	DESCRIPTION
0	12/21/18			

PROJECT NO.	3042.1604
DRAWN BY:	JAP/CTH
CHECKED BY:	WLD
DATE:	8/10/18
SHEET TITLE:	ROOF PLAN

SCALE	AS NOTED
DRAWING NO.	A-301
REV.	0

This document is the property of Johnson, Lascobar & Associates, P.C. The unauthorized reproduction, copying or otherwise use of this document is strictly prohibited and any infringement thereon may be subject to legal action.

Order Plans @ WWW.LDILLINE.COM