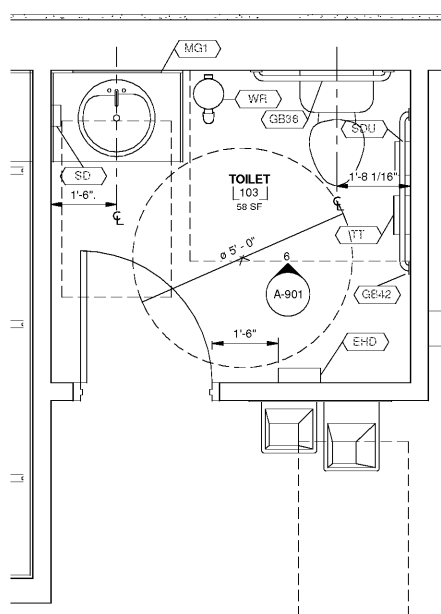
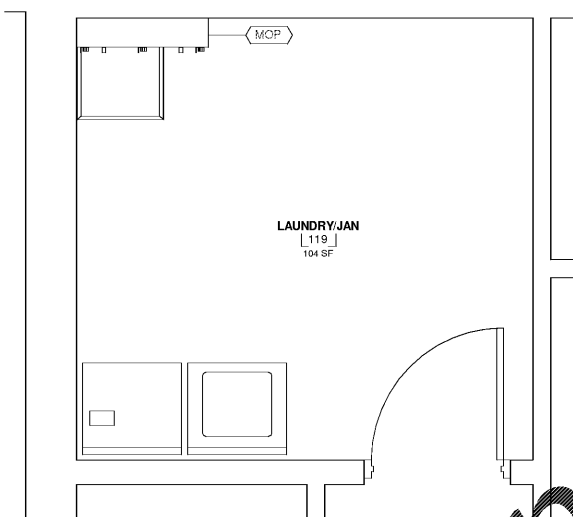


1 ENLARGED TLT/SHOWER 115, 117
SCALE: 1/2" = 1'-0"

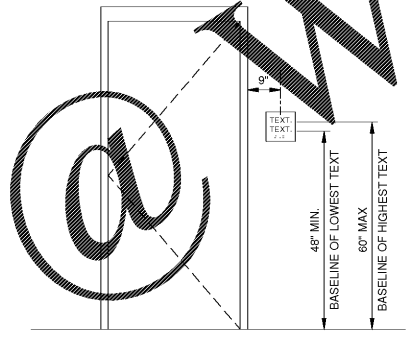


2 ENLARGED TOILET 103
SCALE: 1/2" = 1'-0"

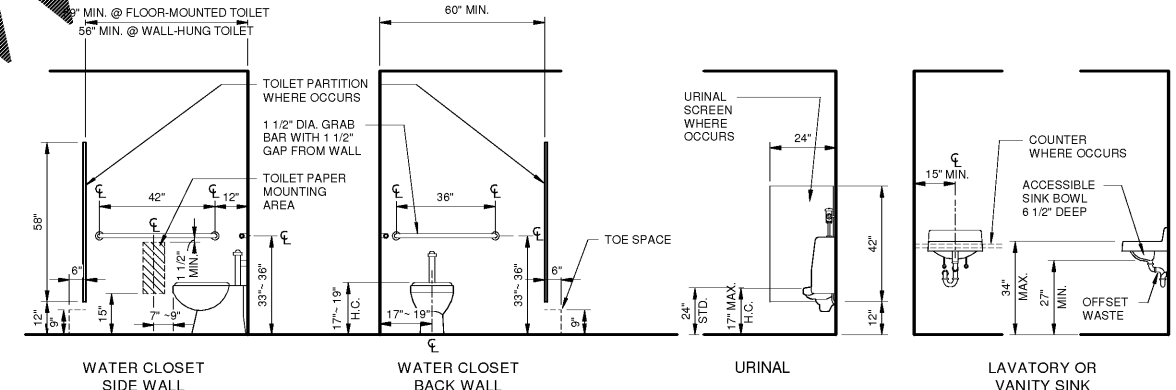
ACCESSORY SCHEDULE			
NOTE: ALL ACCESSORIES TO HAVE MAX PROJECTION OF 4"			
KEY	ACCESSORY DESCRIPTION	BOBRICK NO. / ASI NO.*	MOUNTING HEIGHT
(EHD)	ELECTRIC HAND DRYER - SURFACE MOUNTED, BRIGHT STAINLESS FINISH	ASI 0185-92	BOTTOM OF UNIT - 4'-0"
(TT)	SURFACE-MOUNTED JUMBO ROLL TISSUE DISPENSER	ASI 0042	BOTTOM OF UNIT - 1'-6"
(SDU)	SURFACE-MOUNTED SANITARY NAPKIN DISPOSAL	ASI 0852	TOP OF UNIT - 2'-5"
(MG1)	GLASS MIRROR WITH STAINLESS STEEL ANGLE FRAME, 24" x 36" H	ASI 0600-2436	BOTTOM OF UNIT - 3'-4"
(MG2)	GLASS MIRROR WITH STAINLESS STEEL ANGLE FRAME, 36" x 36" H	ASI 0600-3636	BOTTOM OF UNIT - 3'-4"
(SD)	SURFACE-MOUNTED FOAM SOAP DISPENSER	B-26627	BOTTOM OF UNIT - 3'-0"
(FSS)	SOLID PHENOLIC FOLDING SHOWER SEAT	B-5191	TOP OF SEAT - 3'-0"
(GB36)	1 1/2" DIA. STAINLESS STEEL GRAB BARS WITH SNAP FLANGE	B-6806-36	TOP OF UNIT - 3'-0"
(GB42)	1 1/2" DIA. STAINLESS STEEL GRAB BARS WITH SNAP FLANGE	B-6806-42	TOP OF UNIT - 3'-0"
(CH)	STAINLESS STEEL CLOTHES HOOK	B-230	CENTER OF UNIT - 3'-2" - 4'-0"
(SCU)	STAINLESS STEEL SHOWER CURTAIN ROD WITH SHOWER CURTAIN HOOKS AND 72" ROLL SHOWER CURTAIN	B-207	BOTTOM OF UNIT - 6'-0"
(WR)	WATER RECYCLE	ASI 7317	-
(SN)	PRE-FABRICATED SHOWER NICHE BY SHOWER SYSTEMS: 12" x 12" x 3.5"D	KB 12 SN 305 305 A	BOTTOM OF UNIT - 4'-0"
(MOP)	UTILITY SHELF WITH MOP / BROOM HOLDERS AND RAG HOOKS	B-224	TOP OF UNIT - 5'-0"



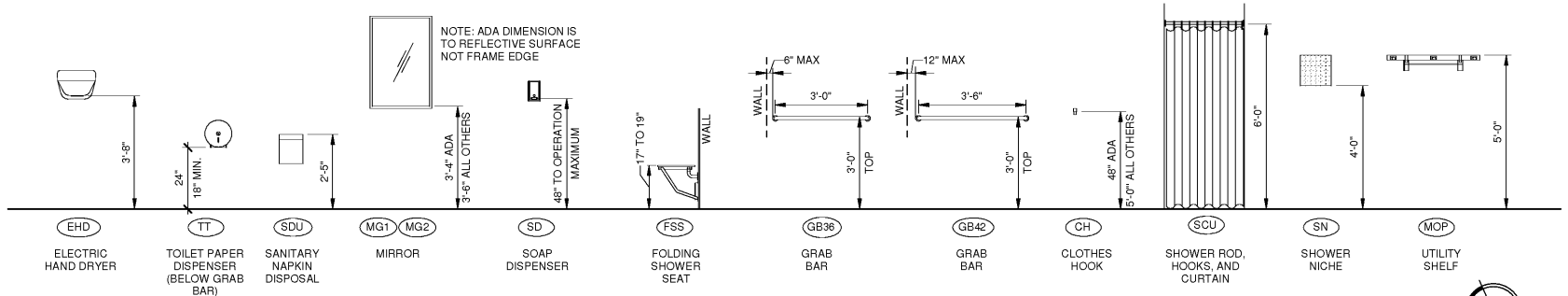
3 ENLARGED LAUNDRY/JAN 119
SCALE: 1/2" = 1'-0"



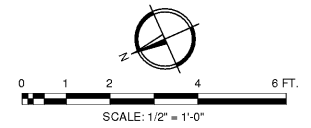
4 SIGN LOCATION DETAIL
SCALE: 1/2" = 1'-0"



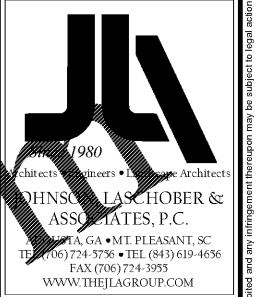
5 TYPICAL PLUMBING FIXTURES AND ACCESSORIES MOUNTING HEIGHTS
SCALE: 3/8" = 1'-0"



TOILET ACCESSORIES - MOUNTING HEIGHTS
SCALE: 3/8" = 1'-0"



Order Plans



CLIENT: AUGUSTA, GA
535 TELFAIR STREET, AUGUSTA, GA 30901
PROJECT NAME: FIRE STATION #3
PROJECT LOCATION: 2649 GORDON HWY., AUGUSTA, GA 30909

REV	DATE	ISSUED FOR BID	DESCRIPTION
0	12/21/18		

PROJECT NO. 3042.1604
DRAWN BY: CBW
CHECKED BY: WLD
DATE: 8/10/18
SHEET TITLE:
ENLARGED PLANS, TLT ACCESSORIES & MOUNTING HEIGHTS
SCALE AS NOTED
DRAWING NO. **A-102** REV. **0**

12/21/2018 4:52:26 PM C:\REVIT - Local Projects\3042.1604 - Augusta Fire Station\3042.1604_05_ARCHITECTURAL\LOCAL_CWALJEB.rvt This document is the property of Johnson, Laschober & Associates, P.C. The unauthorized reproduction, copying or otherwise use of this document is strictly prohibited and any infringement thereupon may be subject to legal action.