

1




2

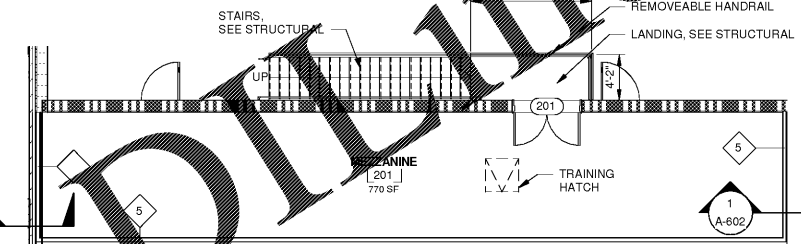
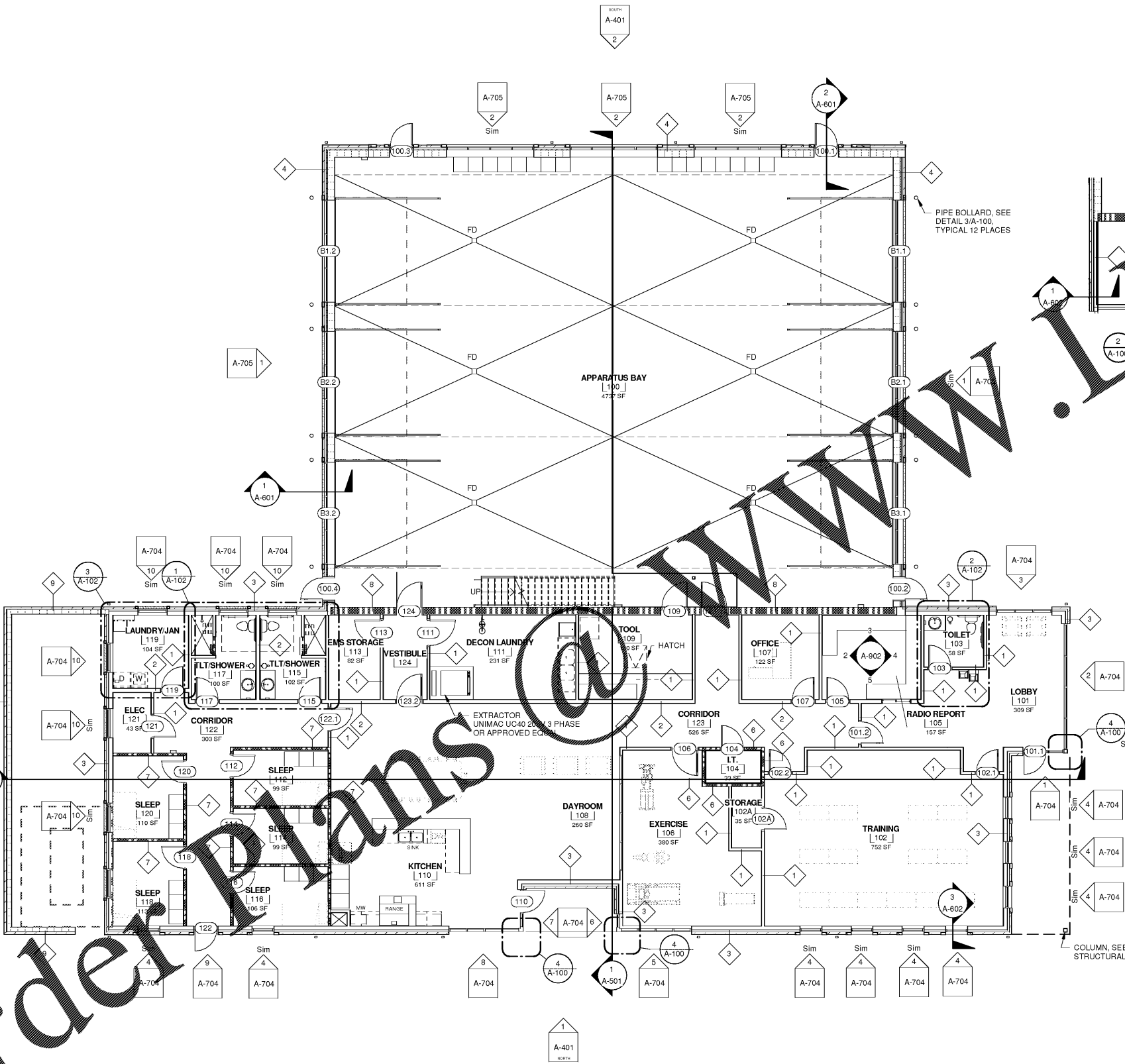
3

4

WALL LEGEND

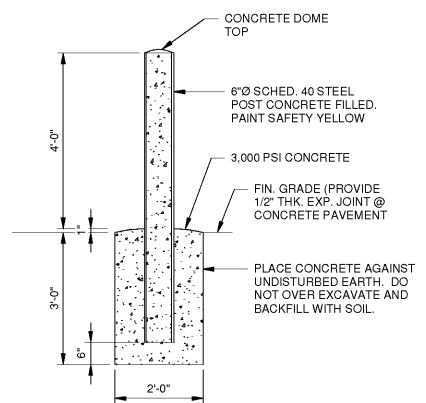
SCALE: 1/8" = 1'-0"

-  1 HR RATED WALL
UL U465 - METAL STUD
-  2 HR RATED WALL
UL U421 - METAL STUD
-  2 HR RATED WALL CMU WALL
UL U905



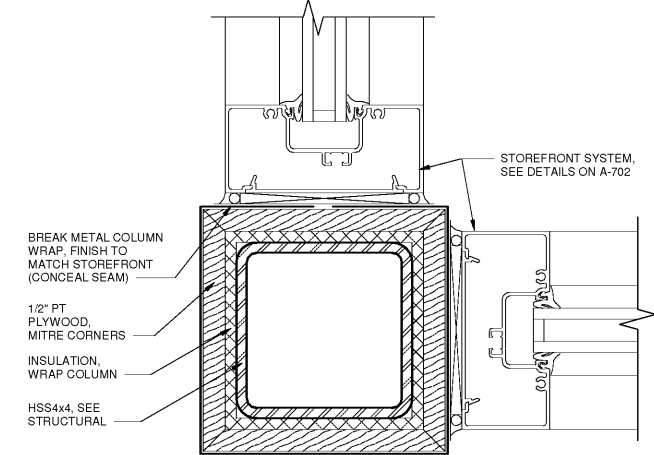
MEZZANINE PLAN

SCALE: 1/8" = 1'-0"



PIPE BOLLARD DETAIL

SCALE: 1/2" = 1'-0"

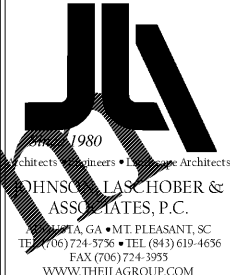


DETAIL

SCALE: 6" = 1'-0"

FLOOR PLAN

SCALE: 1/8" = 1'-0"



1980
Architects • Engineers • Planners • Architects
JOHNSON, LASCOBAR & ASSOCIATES, P.C.
1000 W. GA. HWY. • MT. PLEASANT, SC
TEL: (706) 724-5756 • TEL: (843) 619-4656
FAX: (706) 724-3935
WWW.THEJLAGROUP.COM

CLIENT: AUGUSTA, GA
535 TELFAIR STREET, AUGUSTA, GA 30901

PROJECT NAME:

FIRE STATION #3

PROJECT LOCATION:
2649 GORDON HWY., AUGUSTA, GA 30909

CLIENT:

PROJECT NAME:

PROJECT LOCATION:

PROJECT LOCATION:

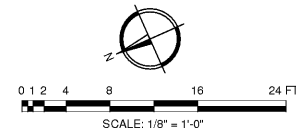
REV	DATE	BY	DESCRIPTION
0	12/21/18		ISSUED FOR BID

PROJECT NO.	3042.1604
DRAWN BY:	JAP
CHECKED BY:	WLD
DATE:	8/10/18

FLOOR PLAN

SCALE AS NOTED
DRAWING NO. **A-100**

REV: 0



Order Plans

www.lidonline.com

This document is the property of Johnson, Lascobar & Associates, P.C. The unauthorized reproduction, copying or otherwise use of this document is strictly prohibited and any infringement thereupon may be subject to legal action.