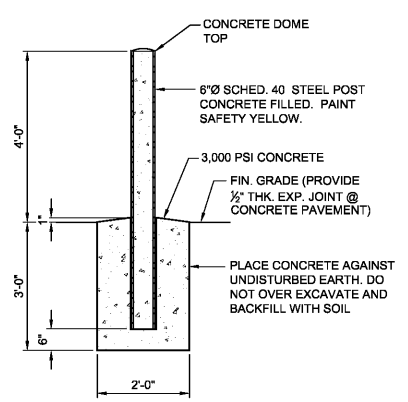


(ALL MATERIALS AND CONSTRUCTION PER GDOT STANDARDS & SPECIFICATIONS)

TYPICAL SECTION THRU ASPHALT PAVEMENT AND BASE (HEAVY-DUTY)
NO SCALE

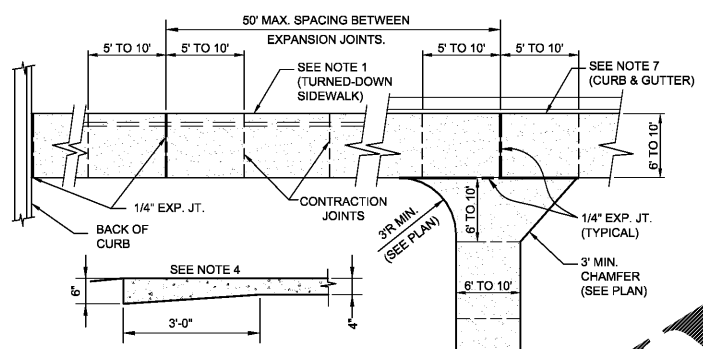
C1
C-601



PIPE BOLLARD DETAIL
NO SCALE

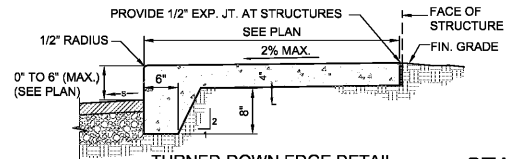
C2
C-601

- NOTES:
- ALL SIDEWALKS SHALL BE 4" THICK, EXCEPT WHERE SHOWN WITH TURNED-DOWN EDGE (SEE "TURNED-DOWN EDGE SIDEWALK" DETAIL BELOW). CONTRACTION JOINTS SHALL BE PLACED AT 6' INTERVALS FOR 6' SIDEWALKS AND 5' INTERVALS FOR 10' SIDEWALKS W/ A LONGITUDINAL JOINT IN THE CENTER OF THE 10' WIDE SIDEWALKS; CONTRACTION JOINTS SHALL BE 1" DEEP AND EDGED WITH 1/8" RADIUS.
 - CONSTRUCT 1/4" EXP. JOINT MAXIMUM 50 FT. SPACING BETWEEN JOINTS.
 - WHEN THE SIDEWALK ABUTS A ROADWAY OR WHERE THERE IS NO CURB, THICKEN THE SIDEWALK TO 6" IN 3'-0". WHERE SIDEWALKS ARE USED IN PARKING LOTS IN LIEU OF CURB & GUTTER SEE "TURNED-DOWN EDGE SIDEWALK" DETAIL.
 - INSTALL 1/2" EXP. MATERIAL WHERE CONC. SIDEWALKS ABUT CONCRETE STRUCTURES.
 - A LAYER OF 15# FELT IS REQUIRED BETWEEN WALK AND ADJACENT PARALLELING CONCRETE CURB.
 - CONSTRUCT WHEELCHAIR RAMP AND DETECTABLE WARNING PER GEORGIA D.O.T. AND ADA STANDARDS (SEE SITE PLAN FOR TYPE).
 - ALL CONCRETE SHALL BE 3,000 PSI.
 - SIDEWALK CROSS SLOPE NOT TO EXCEED 2.0%.
 - CONCRETE SIDEWALK SHALL HAVE POLYPROPYLENE FIBER REINFORCING AT A RATE OF 1.5#/CY.
 - PROVIDE 3/8" EXP. JOINT FILLER BY REFLEX RUBBER (COLOR CONCRETE GRAY) PER ASTM D1752 AT ALL BLDG. FOUNDATIONS, DRAINAGE STRUCTURES, AREA TRANSITIONS AND WHERE NOTED ON DRAWINGS.



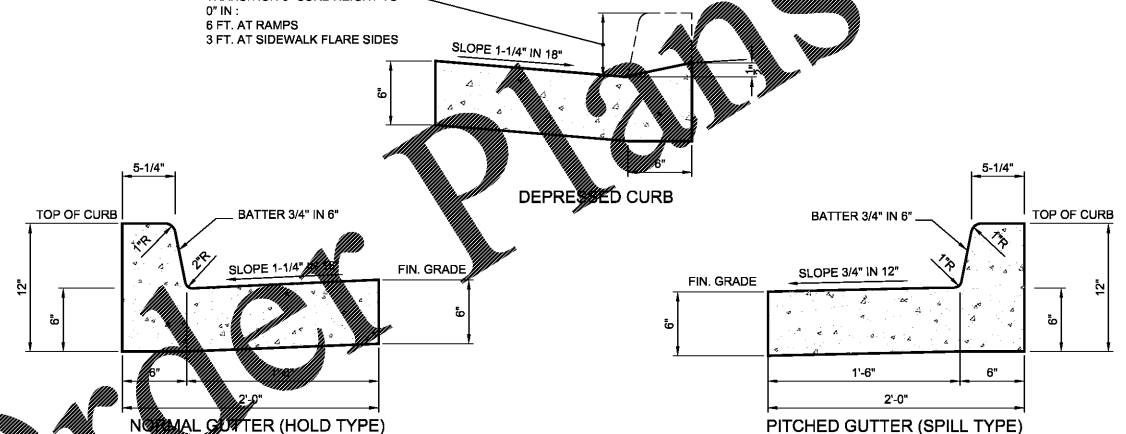
STANDARD JOINT LAYOUT FOR CONCRETE SIDEWALK
NO SCALE

B1
C-601



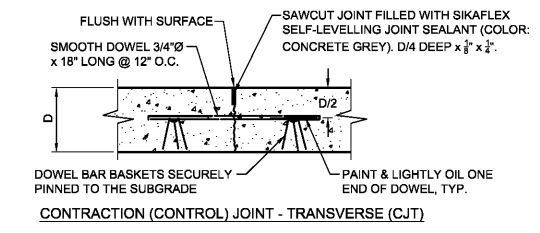
TURNED-DOWN EDGE DETAIL (NOTE 1)

TRANSITION 6" CURB HEIGHT TO 0" IN 6' AT RAMPS
6 FT. AT RAMP
3 FT. AT SIDEWALK FLARE SIDES

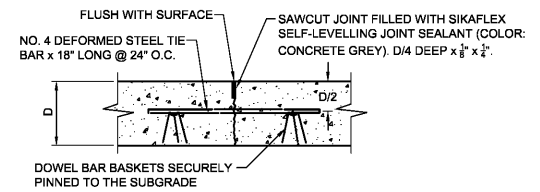


CONCRETE CURB & GUTTER DETAIL
NO SCALE

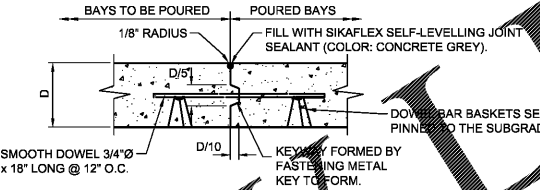
A3
C-601



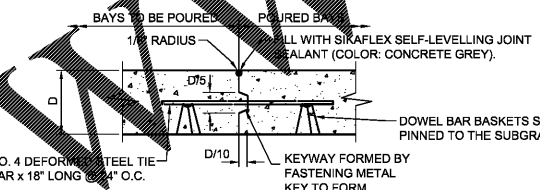
CONTRACTION (CONTROL) JOINT - TRANSVERSE (CJT)



CONTRACTION (CONTROL) JOINT - LONGITUDINAL (CJL)



CONSTRUCTION JOINT - TRANSVERSE (KEYWAY TYPE)



CONSTRUCTION JOINT - LONGITUDINAL (KEYWAY TYPE)

LEGEND

---	CONSTRUCTION JOINTS (LONGITUDINAL) (COJL)
---	CONSTRUCTION JOINTS (TRANSVERSE) (COJT)
---	CONTRACTION JOINTS (LONGITUDINAL) (CJL)
---	CONTRACTION JOINTS (TRANSVERSE) (CJT)
---	EXPANSION JOINTS (EJTA, EJTB, EJTC)

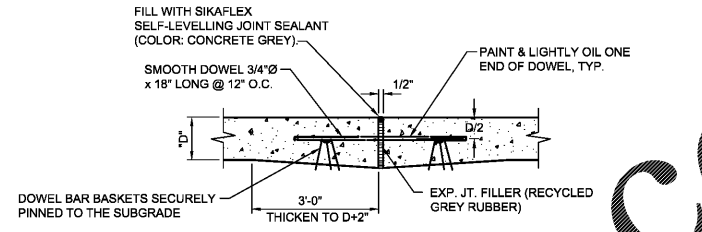
* NOTE: SEE JOINTING PLAN ON C101 FOR LOCATIONS.

CONCRETE PAVING NOTES:

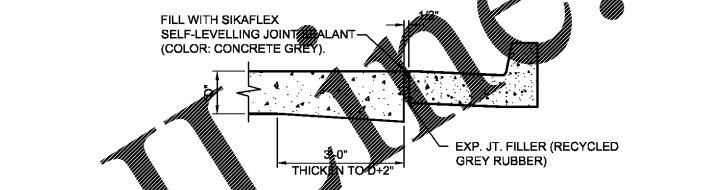
- PROVIDE 1/2" EXP. JOINT FILLER TO BE GREY RECYCLED RUBBER PER ASTM D175 & ASTM D1752 AT ALL BLDG. FOUNDATIONS, DRAINAGE STRUCTURES, AREA TRANSITIONS, AND WHERE NOTED IN DRAWINGS.
- THICKENED SLAB EDGE 2" IN 36" AT EDGE OF PAVING.
- SEE PLAN FOR JOINTING LAYOUT. IF NOT SHOWN, MAXIMUM JOINT SPACING (FEET) SHALL BE 2-1/2 x PAVEMENT THICKNESS (INCHES) CONTRACTOR SHALL ADJUST JOINT LOCATIONS TO LINE UP WITH CORNERS OF STRUCTURES. IF NOT SHOWN, A JOINTING PLAN SHALL BE PREPARED BY THE CONTRACTOR IN ACCORDANCE WITH CONSTRUCTION PRACTICES SET FORTH BY THE PORTLAND CEMENT ASSOCIATION AND APPROVED BY THE ENGINEER BEFORE PAVING BEGINS.
- ALL CONC. SHALL BE 4,000 PSI.
- CONCRETE PAVEMENT SHALL HAVE POLYPROPYLENE FIBER REINFORCING AT A RATE OF 1.5#/CY.
- SAWCUT JOINTS SHALL BE PERFORMED W/ A SOFT CUT SAWBLADE IMMEDIATELY AFTER 1ST TROWEL. IN AREAS WHERE OBSTRUCTIONS PREVENT SAWCUTTING, A TOOLED JOINT SHALL BE UTILIZED & TIED INTO THE SAWCUT JOINT.
- WHERE PAVEMENT PLACEMENT WILL BE INTERRUPTED BY 30 MINUTES OR MORE, A CONSTRUCTION JOINT SHALL BE USED.
- CONTRACTOR SHALL INSURE THAT DOWELS & TIE BARS ARE FIXED SUCH THAT THEY ARE PARALLEL TO THE SURFACE OF THE CONCRETE & PERPENDICULAR TO THE JOINT DURING & AFTER PLACEMENT OF CONCRETE.

POLYPROPYLENE FIBER REINFORCED CONCRETE PAVEMENT DETAILS
NO SCALE

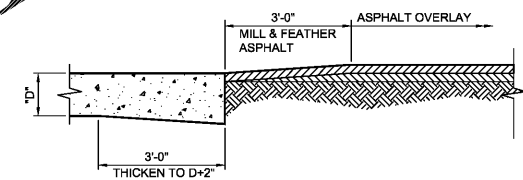
A3
C-601



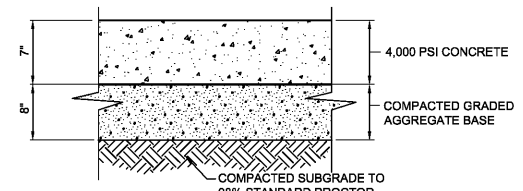
TYPE A - EXPANSION JOINT



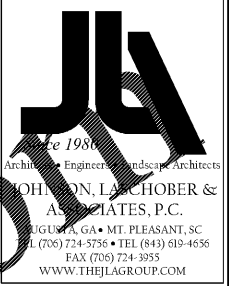
TYPE B - EXPANSION JOINT @ CURB OR OTHER EXISTING OR PROPOSED CONCRETE (OR FIBERGLASS) UTILITY STRUCTURE



TYPE C - EXPANSION JOINT @ ABUTMENT OF CONCRETE & ASPHALT PAVEMENT



CONCRETE PAVING SECTION



CLIENT: AUGUSTA, GA
555 TELFAIR STREET, AUGUSTA, GA 30901
PROJECT NAME: FIRE STATION #3
PROJECT LOCATION: 2648 GORDON HWY., AUGUSTA, GA 30909

NO.	DATE	BY	DESCRIPTION
0	12/21/18	WTB	ISSUED FOR BID

PROJECT NO.	3042.1604
DRAWN BY:	DRWN
CHECKED BY:	CHK
DATE:	10/18/17
SHEET TITLE:	CONSTRUCTION DETAILS 1 OF 7

SCALE: 1" = 20"
DRAWING NO. C-601
REV. 0

This document is the property of Johnson, Larchober & Associates, P.C. The unauthorized reproduction, copying or otherwise use of this document is strictly prohibited and any infringement thereupon may be subject to legal action.