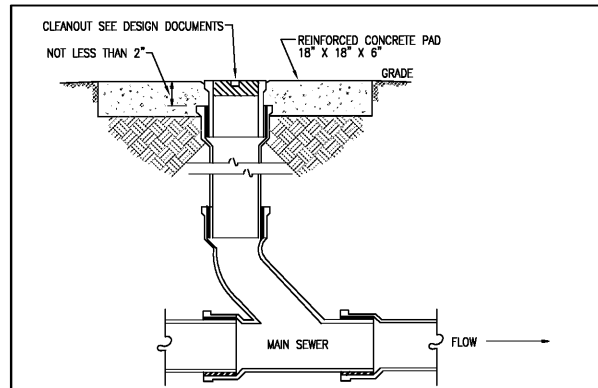


VALVE BOX DETAIL

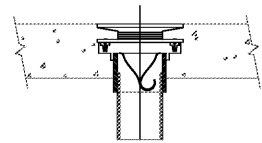
1



EXTERIOR CLEANOUT

2

TRAP GUARD FLOOR DRAIN
POURED CONCRETE ON GROUND FLOOR
PLUMBING CONNECTION FOR PLASTIC OR C.I. PIPING



INSTALLATION NOTES:

- The installation is identical to any typical floor drain assembly connecting to plastic or C.I. piping.
- A factory installed elastomeric plug protects the Trap Guard Device during construction and is used as a test plug and must be removed before normal drain usage. If the trap guard device should get damaged or impaired in any way, the device can be easily removed. A puller tool attaches to the two built-in lugs inside of the Trap Guard for easy removal & replacement. Note: Care should be taken not to touch the Trap Guard Device with the primer or cement. Note: Seepage openings should be sealed with mastic when pan is not used.

FLOOR DRAIN TRAP-GUARD

3

GENERAL PLUMBING NOTES

- ALL FIXTURES, EQUIPMENT AND PIPING SHALL COMPLY WITH INTERNATIONAL PLUMBING CODE, NFPA, STATE AND LOCAL CODES.
- PLUMBING CONTRACTOR SHALL OBTAIN AND PAY FOR ALL REQUIRED PERMITS AND INSPECTION CERTIFICATES.
- OMISSIONS OR MISDESCRIPTION OF DETAILS OF WORK WHICH ARE EVIDENTLY NECESSARY TO CARRY OUT THE INTENT OF THE DRAWINGS, OR WHICH ARE CUSTOMARILY PROVIDED, SHALL NOT RELIEVE THE CONTRACTOR FROM PERFORMING SUCH OMISSIONS AND DETAILS OF WORK, BUT THEY SHALL BE PERFORMED AS IF FULLY AND CORRECTLY SET FORTH AND DESCRIBED.
- PORTIONS OF WALLS AND ARCHITECTURAL FEATURES MAY HAVE BEEN OMITTED FROM THIS PLAN FOR CLARITY OF MECHANICAL FEATURES. REFER TO ARCHITECTURAL DRAWINGS FOR EXACT LOCATION OF FIXTURES, AND DIMENSIONS.
- VERIFY FIELD DIMENSIONS. COORDINATE WORK WITH ALL OTHER TRADES TO AVOID SPACING AND ROUTING INTERFERENCES.
- REFER TO SITE PLAN FOR ROUTING OF GAS, WATER, SEWER, AND STORM DRAIN PIPING.
- LAY OUT PIPING BASICALLY AS SHOWN. MAJOR CHANGES IN LAYOUT MAY BE MADE ONLY WITH WRITTEN CONSENT OF ARCHITECT OR ENGINEER.
- PROVIDE ELECTRICAL CONTRACTOR WITH EXACT WIRING REQUIREMENTS. IF ELECTRICAL REQUIREMENTS VARY FROM THOSE INDICATED ON PLANS, PLUMBING CONTRACTOR SHALL BE RESPONSIBLE FOR ANY ASSOCIATED ADDITIONAL COSTS.
- SANITARY PIPING SHALL BE RUN BENEATH THE SLAB. PIPING ABOVE CEILING SHALL BE INSTALLED TIGHT TO STRUCTURAL MEMBERS, OR WITHIN THE BAR JOIST WEBBING.
- POTABLE WATER PIPING SHALL BE INSTALLED ABOVE THE CEILING. CLEARANCE ABOVE CEILING IS MINIMAL LAYOUT OF HANG DUCTWORK SHALL HAVE PRIORITY OVER OTHER TRADES. COORDINATE CAREFULLY WITH GENERAL CONTRACTOR PRIOR TO LAYING OUT WORK. IF REQUIRED, WATER AND WASTE PIPING SHALL BE INSTALLED WITHIN THE JOIST WEBBING.
- ALL COMPONENTS USED IN PLENUM SPACES MUST BE CONSTRUCTED OF NON-COMBUSTIBLE MATERIAL.
- PLUMBING FIXTURES SHALL BE EQUAL TO FIXTURES SCHEDULED.
- COLOR OF FIXTURES AND TRIM SHALL BE AS SELECTED BY ARCHITECT.
- FIXTURES INDICATED AS BARRIER-FREE SHALL COMPLY WITH THE AMERICANS WITH DISABILITIES ACT (ADA).
- WATER PIPES SHALL HAVE STOPS AT EACH FIXTURE CONNECTION.
- ALL WATER LINES, BOTH HOT AND COLD, SHALL BE AS FOLLOWS:
A. LINES BELOW GRADE SHALL BE TYPE "C" SOFT COPPER (UNLESS OTHERWISE NOTED).
B. LINES ABOVE GRADE SHALL BE TYPE "L" SOFT COPPER (UNLESS OTHERWISE NOTED).
C. FITTINGS SHALL BE OF HARD DRAWN COPPER OF ASTM SPEC B-88.
D. ALL JOINTING SHALL BE WITH LEAD-FREE SILVER SOLDER.
- ALL WATER PIPING ABOVE GRADE, 1-1/4" AND SMALLER SHALL BE INSULATED WITH 1/2" THICK FIBERGLASS WITH A MINIMUM R VALUE OF 3.6.
- ALL WATER PIPING ABOVE GRADE, 1-1/2" AND LARGER SHALL BE INSULATED WITH 1" THICK FIBERGLASS WITH A MINIMUM R VALUE OF 3.6.
- WALL HYDRANTS SHALL BE MOUNTED 18" ABOVE FINISHED GRADE.
- ALL WASTE PIPING SHALL BE SCHEDULE 40 PVC CONFORMING TO ASTM D-1785. PIPING 2" AND SMALLER SHALL BE LAID OUT AT 1/4" PER FOOT GRADE. PIPING 3" AND LARGER SHALL BE LAID OUT AT 1/8" PER FOOT GRADE.
- CONTRACTOR SHALL PROVIDE TRAP GUARDS FOR FLOOR DRAINS AS INDICATED ON DRAWINGS.
- ALL VENT PIPING WITHIN PLENUM OR AIR-HANDLING SPACES SHALL BE COPPER OR CAST IRON, AND SHALL BE LABELED AS "VENT".
- ALL VENTS SHALL BE A MINIMUM OF 10'-0" AWAY FROM FRESH AIR INTAKES AND OPERABLE WINDOWS.
- VENT PIPING SHALL BE LAID OUT SUCH THAT ALL ROOF PENETRATIONS SHALL BE ON BACK SIDE OF ROOF. PAINT EXPOSED VENT PIPING TO MATCH ROOF.
- COORDINATE ROOF PENETRATIONS WITH ROOFING CONTRACTOR. ENSURE THAT WARRANTY REQUIREMENTS OF ROOFING MANUFACTURER ARE SATISFIED.
- FIT ALL PIPES PASSING THROUGH MASONRY AND JOB CAST CONCRETE WITH SLEEVES. CHALK SPACE BETWEEN PIPE AND SLEEVE.
- ALL WATER LINES SHALL BE CAPPED AND TESTED AT 100 PSI FOR 24 HOURS. ALL WASTE PIPING SHALL BE TESTED WITH A 10" WATER COLUMN FOR A 2 HR PERIOD WITH NO CHANGE IN LEVEL.
- DISINFECTION OF POTABLE WATER SYSTEM - NEW OR REPAIRED SYSTEMS SHALL BE PURGED OF DELETERIOUS WATER AND DISINFECTED PRIOR TO UTILIZATION. THE METHOD TO BE FOLLOWED SHALL BE THAT PRESCRIBED BY THE HEALTH AUTHORITY OR WATER PURVEYOR HAVING JURISDICTION. IN THE ABSENCE OF A PRESCRIBED METHOD, THE PROCEDURE DESCRIBED IN EITHER AWWA C601 OR AWWA C602, OR AS DESCRIBED IN SECTION 610 OF THE INTERNATIONAL PLUMBING CODE.
- MATERIALS, EQUIPMENT, AND INSTALLATION SHALL BE GUARANTEED FOR A PERIOD OF ONE (1) YEAR FROM DATE OF ACCEPTANCE. DEFECTS WHICH APPEAR DURING THIS PERIOD SHALL BE CORRECTED AT THE CONTRACTOR'S EXPENSE.
- WHICH MAKING FINAL CONNECTIONS TO EQUIPMENT AND PLUMBING FIXTURES, CONTRACTOR SHALL FURNISH CUTOFFS, TRAPS, STOPS, FAUCETS, ELBOWS, VACUUM BREAKERS, INSULATION, ETC.
- ENSURE THAT ALL PENETRATIONS OF FIRE WALLS ARE PROPERLY FIRESTOPPED.
- ALL PENETRATIONS THROUGH WALLS AND FLOORS SHALL BE SLEAVED, PATCHED, OR ARE PROVIDED AS REQUIRED. IN EXPOSED AREAS, PATCHING SHALL MATCH FINISH. SEE ARCHITECTURAL DRAWINGS.

PLUMBING GENERAL NOTES

PLUMBING

PLUMBING ACCEPTABLE MANUFACTURERS

- Fixtures: Kohler, American Standard, Orma, Eljer, Toto.
- Brass Trim: McGuire Engineered Brass Company, Brasscraft, Zurn.
- Floor drains, hydrants, carriers and p-traps: Jay R. Smith, Zurn, Wade Joann, Mfab.
- Toilet Seats: Oleanite, Benaite, Benita, Church, Carlotta.
- Faucets: T & S Brass and Bronze Works, Delta Commercial, Chicago Faucet Company, Kohler, Zurn, Symmons, Toto.
- Showerheads: Eljay, Just, Kohler.
- Shower valves (thermostatic and/or pressure balancing type): Symmons, Leonard, Powers, Lovler.
- Shower stalls: Luaco Bathworks, Aqua Body, Aquarius, Watermark, Florastone.
- Pre-fabricated insulation on water lines and p-trap under barrier free lavatories and sinks: Broco Products, Inc., Trap Wrap Trainers, Inc., McGuire Pre-traps.
- Thermostatic mixing valves: Symmons, Holly, Lovler, Powers, Leonard.
- Hot water connection boxes: Acorn, Guy Drog, Sioux Chief.
- Washing machine connection boxes: Acorn, Guy Gray, Sioux Chief.
- Service Sinks: Stern Williams, Fiel, Zurn.

PLUMBING FIXTURES

- WATER CLOSET - WATER CLOSET - TANK TYPE - BARRIER FREE
a. Fixture: Kohler #K-3609 Cimarron Drake tank type water closet, 1.28 gallon per flush.
b. Seat: Kohler #K-4680 white open front seat with check hinge.
c. Trim: McGuire #M-2165 supply stop.
- WATER CLOSET - FLUSH VALVE
a. Fixture: Kohler #K-3575 Watercraft Classic floor mounted water closet, 1.28 gallon per flush.
b. Seat: Kohler #K-4680 white open front seat with check hinge.
c. Trim: McGuire #M-2165 supply stop.
- URINAL - WALL HUNG - BARRIER FREE
a. Fixture: Toto #TU447 washout type urinal, 1.0 gallon per flush.
b. Valve: Toto #TU11NMC-12 flush valve, 1.0 gallon per flush.
c. Mounting: 17" A.F.G. to rim.
d. Carrier: Mfab #MC-31 fixture carrier.
- LAVATORY - DROP-IN - BARRIER FREE
a. Fixture: Toto #L501.4 self-rimming lavatory with 4" centers.
b. Faucet: Symmons #S-20-0 single lever faucet.
c. Trim: McGuire #T50WC grid drain with 1-1/4" tailpiece offset for wheelchair use.
d. Pre-fabricated insulation on water lines and p-trap under barrier free lavatories and sinks: Broco Products, Inc., Trap Wrap Trainers, Inc., Hand Low-Board, or McGuire Pre-Traps.
e. Thermostatic Mixing Valve: Apollo #AMD-1F (40 Series) tempering water valve to be located beneath lavatory.
- SINK - S.S. - THREE COMPARTMENT
a. Fixture: Just #JX-2249-A-OR 18 gauge stainless steel, self-rimming, three compartment sink.
b. Faucet: (Qty. 2) Just #JF0-4000 with trim plate.
c. Trim: McGuire #M151 drains with 1-1/2" tailpieces, McGuire #M912 1-1/2" P-traps, McGuire #M-2165 supply stops.
- DRINKING FOUNTAIN - WALL HUNG - BARRIER FREE W/BOTTLE FILLING STATION
a. Fixture: Eljay #EJ575LUB, 8.0 GPH at 90 degree room temperature. All exposed surfaces to be stainless steel.
b. Fixture: McGuire #M872 1-1/4" P-trap, McGuire #MST-2 supply stop. Provide insulation for P-trap.
c. Mounting: Mount per manufacturer's recommendations for ADA compliance.
- FLOOR DRAIN - REGULAR
a. Fixture: Mfab #FD00-0-5 floor drain with sediment basket.
b. Fixture: Mfab #FD140-5-14 floor drain with sediment basket.
- WALL HYDRANT - COLD WATER - NON-FREEZE
a. Fixture: Mfab #NH-20 non-freeze hydrant with vacuum breaker. Finish hose selected by architect/owner.
b. Mounting: 18" A.F.G.

EXECUTION

- Connect to plumbing fixtures and equipment per manufacturer's schedule, instructions, architectural drawings and manufacturer's shop drawings. Provide all connections as shown on drawings.
 - Use correct pipe and fittings and details on drawings or manufacturer's shop drawings for connection sizes to fixtures.
 - Provide support for trap for floor drain, and place of equipment.
 - Provide outdoor cleanout with the flow of hot water to lavatories and sinks to a minimum of 0.5 GPM. Test as recommended by manufacturer and as required under ASHRAE Standard 90-75, paragraph 7.7.2 or state energy code.
 - Install water lines with a minimum of 4" clearance on each side from a wall or partition.
 - Install water lines with a minimum of 15" clearance from the centerline of the bowl to each side from a wall, partition, ceiling, or another fixture. Barrier free water closet shall have a minimum of 18" clearance.
 - Water closets shall be a minimum of 21" clearance in front of the bowl.
 - Coordinate dimensions required for minimum clearances with other trades.
 - Caulk around joints of fixtures on wall or floor, and fixtures hooked up to wall.
 - Mount fixtures rigid to walls as shown on drawings or details.
 - Install a dropped ear "L", mounted on treated wood backing for rigid support for all shower heads.
- TESTING AND CLEANING
- Inspect and test work to insure that it is installed in accordance with drawings and specification and is functioning as designed. Test procedures and pressures per local and state codes.
 - Correct all deficiencies found and retest.

PLUMBING FIXTURE SPECIFICATION

FIXTURE CONNECTION SCHEDULE

IDENTITY	FIXTURE	C.W.	H.W.	WASTE
P-1	WATER CLOSET FLOOR MOUNTED - BARRIER FREE	1"	---	4"
P-2	WATER CLOSET FLOOR MOUNTED	1"	---	4"
P-3	URINAL WALL HUNG	3/4"	---	2"
P-4	LAVATORY DROP-IN - BARRIER FREE	1/2"	1/2"	1 1/2"
P-5	SINK THREE COMPARTMENT - ROUGH-IN ONLY	1/2"	1/2"	1 1/2"
P-6	DRINKING FOUNTAIN HI-LO	1/2"	---	1 1/2"
P-7	FLOOR DRAIN REGULAR	---	---	AS SHOWN
P-8	WALL HYDRANT COLD WATER - NON-FREEZE	3/4"	---	---

PLUMBING LEGEND

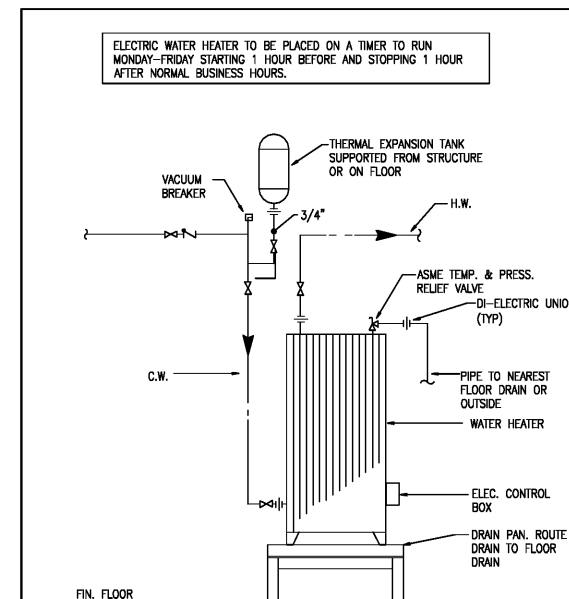
SYMBOL	DESCRIPTION	SYMBOL	DESCRIPTION
---	COLD WATER	---	BALL VALVE
---	HOT WATER	---	CHECK VALVE
---	WASTE LINE	---	UNION
---	VENT PIPE	---	PLUMBING IDENTIFICATION
---	PIPE TURNED UP	---	---
---	PIPE TURNED DOWN	---	---

PLUMBING ABBREVIATIONS

C.W.	COLD WATER	E.C.O.	EXTERIOR CLEANOUT
H.W.	HOT WATER	A.F.F.	ABOVE FINISHED FLOOR
V.T.R.	VENT THROUGH ROOF	A.F.G.	ABOVE FINISHED GRADE
W	WASTE	W.C.O.	WALL CLEANOUT
F.C.O.	FLOOR CLEANOUT	C.O.	CLEANOUT

WATER HEATER SCHEDULE

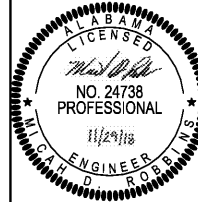
SYSTEM	TYPE	NO. REQ'D	MFR.	MODEL NO.	EWT	LWT	STORAGE CAPACITY	FLOW RECOVERY	TANK SIZE	REMARKS
DOMESTIC (GWH-1)	ELEC	1	AO SMITH	DEN-30	60F	120F	30.0	30 GPH 66" RISE	20.5" x 34.5"	4.5KW @ 208/1



ELECTRIC WATER HEATER

4

SENTINELL
ENGINEERING SURVEYING
CIVIL - STRUCTURAL - ENVIRONMENTAL



BRIGHTON COMMUNITY CENTER
BLOCK 17 OF OAKDALE SURVEY MAP BOOK 2, PAGE XX
SECTION 27, TOWNSHIP 18 SOUTH, RANGE 4 WEST
JEFFERSON COUNTY, ALABAMA

NO.	DATE:	DESCRIPTION:

PLUMBING GENERAL NOTES, LEGENDS, AND SCHEDULES

DATE: 11-29-18
JOB NO: 18-119

SHEET: P100

ROBBINS
Engineering Company, LLC

Mechanical & Electrical
3945 Knight Ave, Suite B, Tuscaloosa, Alabama 35405
Phone: (205) 391-7049
http://www.ro-engineers.com

VERIFY SCALES
BIR IS ONE INCH
OR ORIGINAL INCH
IF NOT ONE INCH
ON THIS SHEET
ADJUST SCALE
ACCORDING

REC'D Project 18092

Order Plans