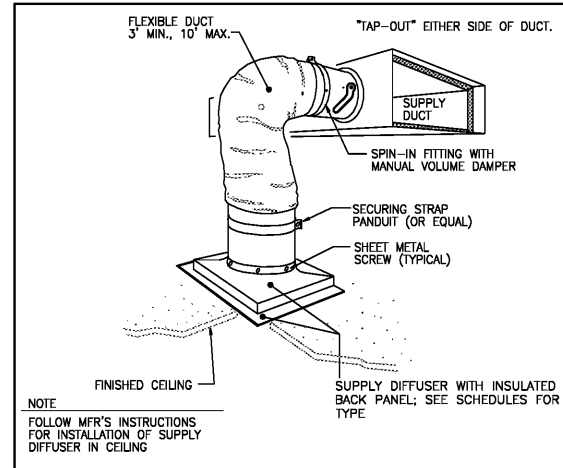


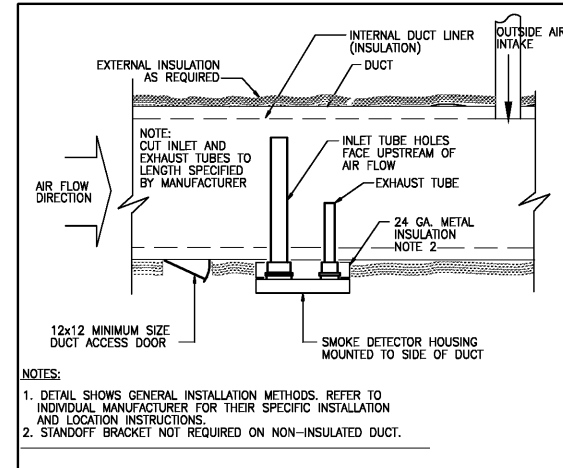
CEILING MOUNTED EXHAUST FAN

1



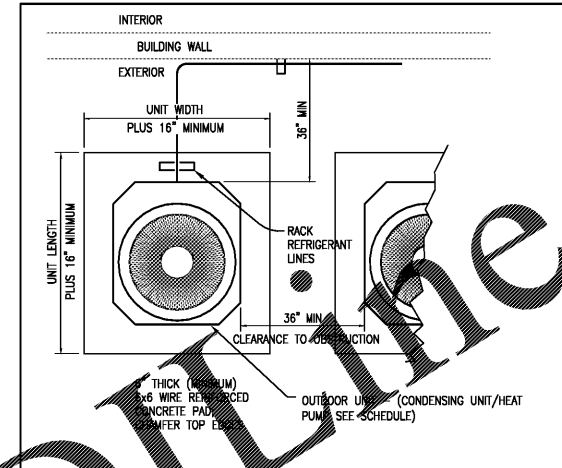
DUCTWORK CONNECTION TO CEILING SUPPLY DIFFUSER (FLEX DUCT)

2



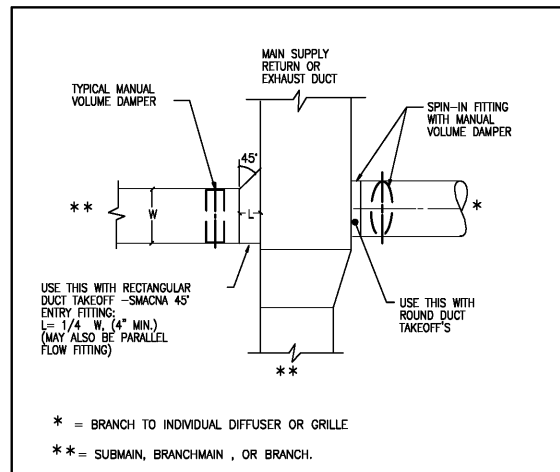
DUCT MOUNTED SMOKE DETECTOR

3



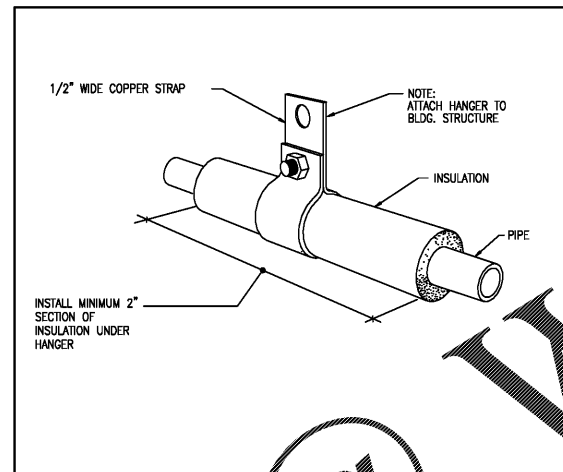
OUTDOOR UNIT INSTALLATION

4



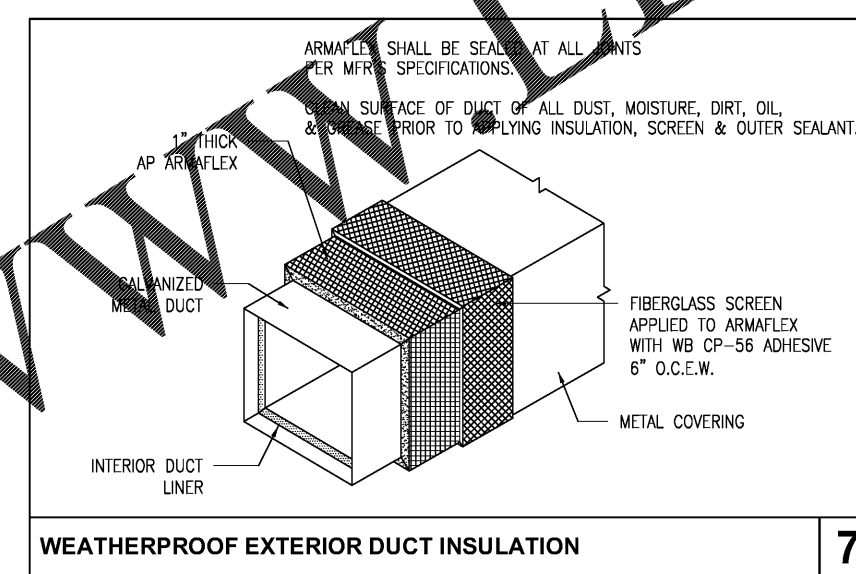
LOW PRESSURE DUCT VOLUME DAMPER REQUIREMENTS

5



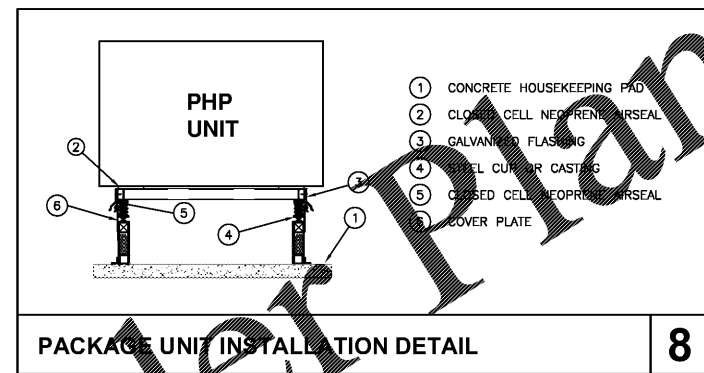
REFRIGERANT PIPING HANGER

6



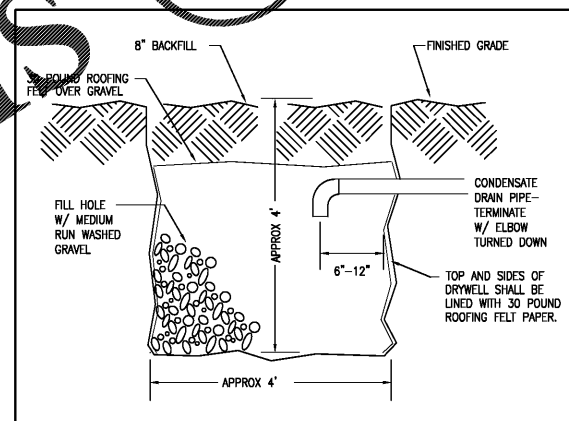
WEATHERPROOF EXTERIOR DUCT INSULATION

7



PACKAGE UNIT INSTALLATION DETAIL

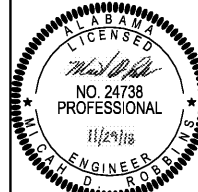
8



TYPICAL DRYWELL

9

LOCATE DRY WELL A MINIMUM OF 4' FROM BUILDING FOOTINGS. VERIFY WITH GEOTECHNICAL ENGINEER THAT DRAINAGE ADJACENT TO BUILDING WILL NOT ADVERSELY AFFECT FOUNDATION.



NO.	DATE:	DESCRIPTION:

HVAC DETAILS

DATE: 11-29-18

JOB NO: 18-119

SHEET: M102

Order Plans @