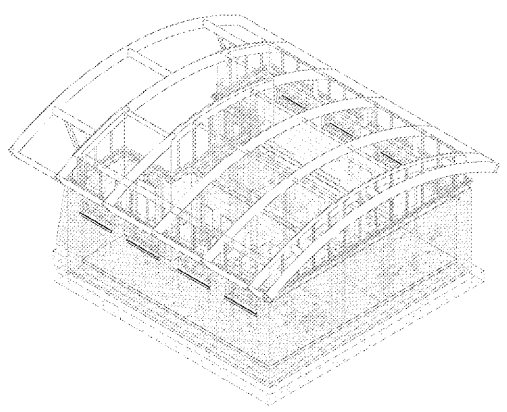


1 STRUCTURAL ROOF FRAMING
 1/4" = 1'-0"

RAFTER SIZES		
MARK	SIZE	NOTES
RAFTER A	HSS 10x6x1/4	CURVED

COLUMN SIZES		
MARK	SIZE	NOTES
C1	HSS 4x4x5/16	STUB COLUMN
C3	HSS 6x6x1/2	

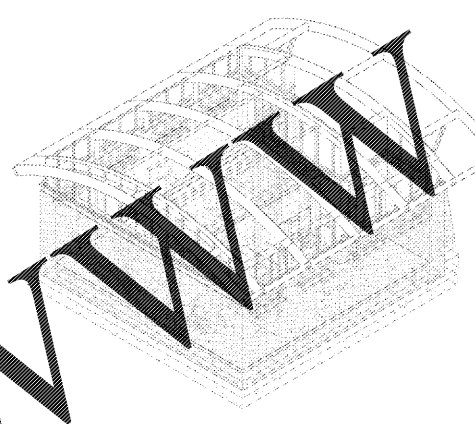
BEAM SIZES		
MARK	SIZE	NOTES
BEAM 1	HSS 6x6x1/4	
BEAM 2	HSS 10x4x1/4	
BEAM 3	HSS 4x4x1/4	



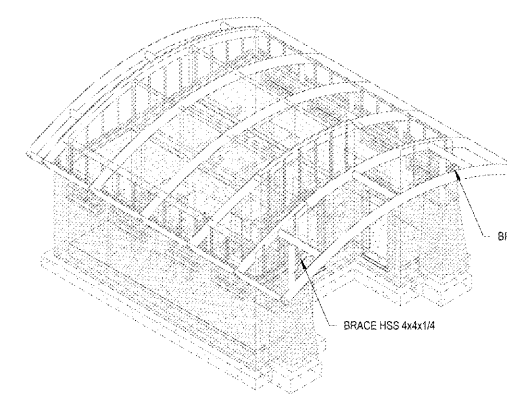
5 STRUCTURAL 3D - NW
 1/4" = 1'-0"



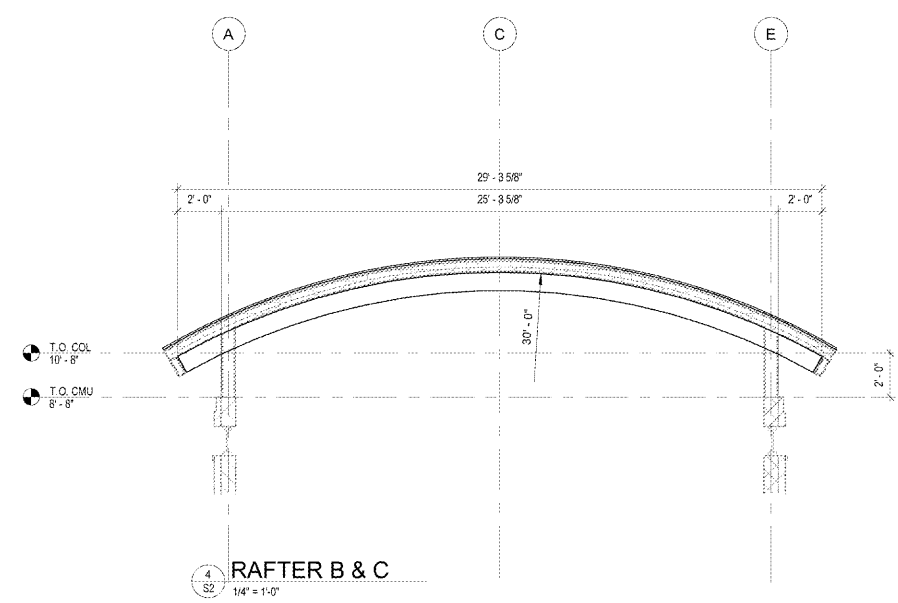
6 STRUCTURAL 3D - NE
 1/4" = 1'-0"



7 STRUCTURAL 3D - SW
 1/4" = 1'-0"



8 STRUCTURAL 3D - SE
 1/4" = 1'-0"



4 RAFTER B & C
 1/4" = 1'-0"

NO.	DATE	DESCRIPTIONS	BY
ISSUES / REVISIONS			

Project:
MAIN STREET RESTROOMS
 Project Address:
 NORTHEAST QUADRANT OF COLLEGE AND MAIN ST
 FOREST PARK, GA 30297

Drawing Title:
ROOF FRAMING PLAN

Drawing Status:
RELEASED FOR CONSTRUCTION

Scale: 1/4" = 1'-0" Drawn by: JA Reviewed by: JA
 Date/Time Printed: 2/7/2019 2:43:37 PM
 Date: 02.08.2019 Project number: 18031

Drawing:
S2

Order Plans @ www.LDILine.com