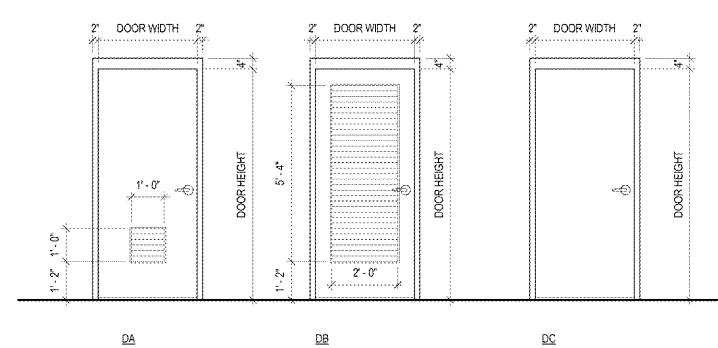


DOOR SCHEDULE																					
NO.	SIZE			DOOR				FRAME				THERMAL PROPERTIES			DETAILS						
	WIDTH	HEIGHT	ELEV	MATERIAL	FINISH	THICKNESS	LABEL	ELEV	MATERIAL	FINISH	LABEL	THERMAL RESISTANCE (R)	VISUAL LIGHT TRANSMITTANCE	SOLAR HEAT GAIN COEFFICIENT	HEAT TRANSFER COEFFICIENT (U)	T-HOLD	HEAD	JAMB	HARDWARE SET	COUNT	COMMENTS
D01	3'-0"	7'-0"	DA	MTL	PAINTED	1 3/4"	-	DA	MTL	PAINTED	-	2.7250 (h-ft <sup>2</sup> -F)/BTU	0	0	0.3670	4/A601	4/A601	4/A601	-	2	FIBERGLASS CORE
D02	3'-6"	7'-0"	DB	MTL	PAINTED	1 3/4"	-	DB	MTL	PAINTED	-	2.7250 (h-ft <sup>2</sup> -F)/BTU	0	0	0.3670	4/A601	4/A601	4/A601	-	1	FIBERGLASS CORE
D03	3'-6"	7'-0"	DC	MTL	PAINTED	1 3/4"	-	DC	MTL	PAINTED	-	2.7250 (h-ft <sup>2</sup> -F)/BTU	0	0	0.3670	-	-	-	-	1	FIBERGLASS CORE

- DOOR NOTE:
1. ALL EXTERIOR DOORS AND WINDOWS SHALL BE LABELED BY THE MANUFACTURER TO CERTIFY COMPLIANCE WITH THE REQUIREMENTS OF FENESTRATION RATINGS COUNCIL PER NFRC 100-51.
  2. INSULATED DOOR U-VALUE = .35 OR LESS.
  3. ALL DOORS SHALL BE PAINTED.
  4. ALL DOORS SHALL HAVE AUTOMATIC CLOSERS.
  5. ALL DOORS SHALL HAVE LEVER TYPE HANDLES, MIN. 3 HINGES.
  6. PROVIDE MASTER KEY FOR ALL DOORS.
  7. UNQ. ALL HARDWARE SHALL BE STAINLESS STEEL, UNPAINTED.

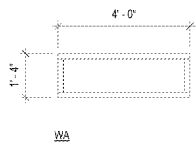
WINDOW SCHEDULE																		
TYPE MARK	R.O.		FRAME			GLAZING		THERMAL PROPERTIES				DETAIL			HEAD HEIGHT	COUNT	COMMENTS	
	WIDTH	HEIGHT	FRAME ELEV	MATERIAL	FINISH	GLAZING ELEV	THICKNESS	TYPE	HEAT TRANSFER COEFFICIENT (U)	SOLAR HEAT GAIN COEFFICIENT	THERMAL RESISTANCE (R)	VISUAL LIGHT TRANSMITTANCE	HEAD	JAMB				SILL
W1	4'-0"	1'-4"	WA	ALUM	ANODIZED	WA	1"	SMOOTH TRANSLUCENT	0.3500	0.37	2.8573 (h-ft <sup>2</sup> -F)/BTU	0.7	3/A601	3/A601	3/A601	7'-4"	8	THERMALLY BROKEN FRAME, LOW-E, NOTE 2.

- WINDOW NOTE:
1. SELECT FINISH FROM PREMIUM COLORS: ANODIZED ALUMINUM.
  2. PROVIDE FROSTED TYPE GLAZING ON INSIDE PANE OF WINDOW TO AVOID VISUAL SIGHT INTO RESTROOMS.



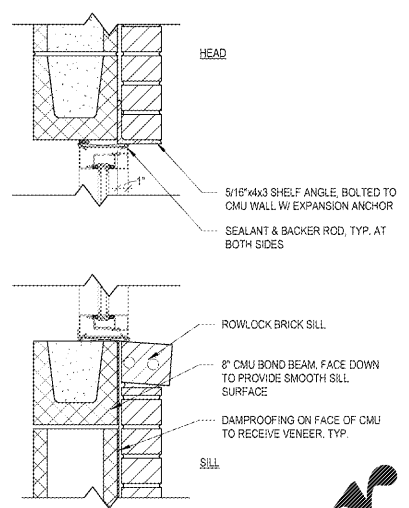
1  
A601  
3/8" = 1'-0"

DOOR ELEVATIONS



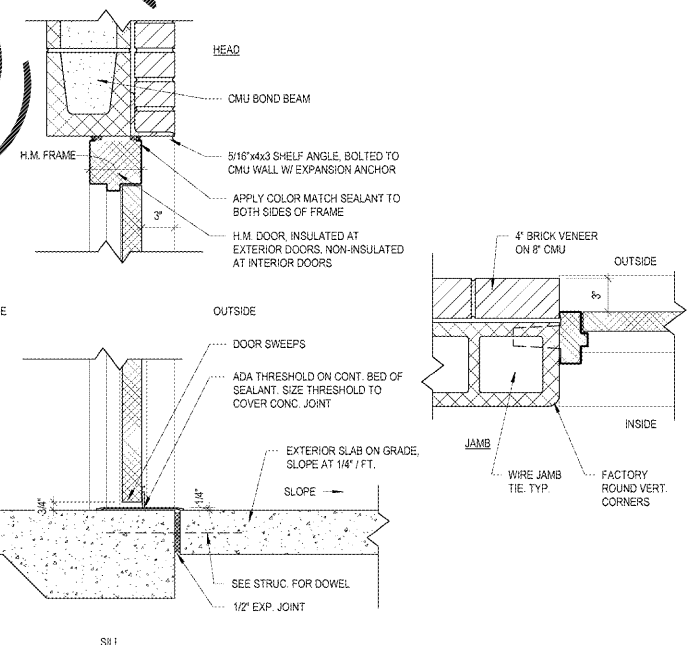
2  
A601  
3/8" = 1'-0"

WINDOW ELEVATIONS



3  
A601  
1 1/2" = 1'-0"

HEAD & SILL DETAIL AT ALUM WINDOW



4  
A601  
1 1/2" = 1'-0"

HM DOOR DETAILS AT VENEER WALL

Prepared by:

**JOEL AVILES ARCHITECTS**  
ARCHITECTS | PLANNING | RENDERINGS  
110 Main Street, Forest Park, Georgia 30236  
Tel: 404.876.7895 | Email: info@joelaviles.com  
www.joelaviles.com

Professional Seal:

02.08.2019

Prepared for:  
CITY OF FOREST PARK

Consultants:

NO.	DATE	DESCRIPTIONS	BY
ISSUES / REVISIONS			

Project:  
**MAIN STREET RESTROOMS**

Project Address:  
NORTHEAST QUADRANT OF COLLEGE AND MAIN ST  
FOREST PARK, GA 30297

Drawing Title:  
**OPENING SCHEDULE AND DETAILS**

Drawing Status:  
**RELEASED FOR CONSTRUCTION**

Scale: As indicated Drawn by: JA Reviewed by: JA  
Date/Time Printed: 2/7/2019 2:43:05 PM  
Date: 02.08.2019 Project number: 18031

Drawing:  
**A601**

Order Plans

@ WWW.LDILine.com