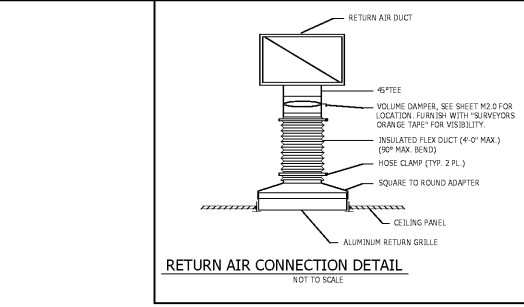
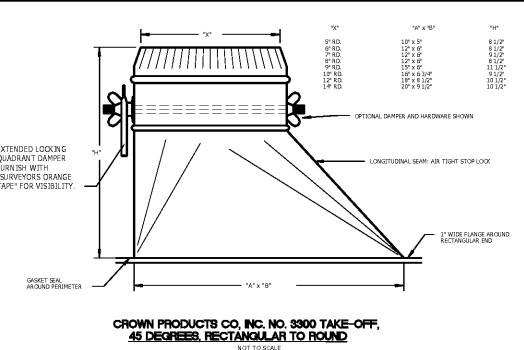
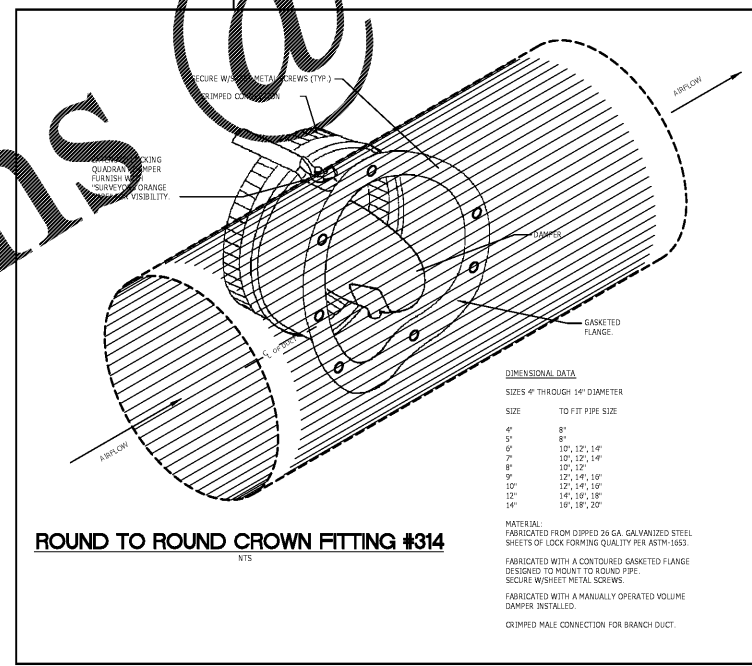
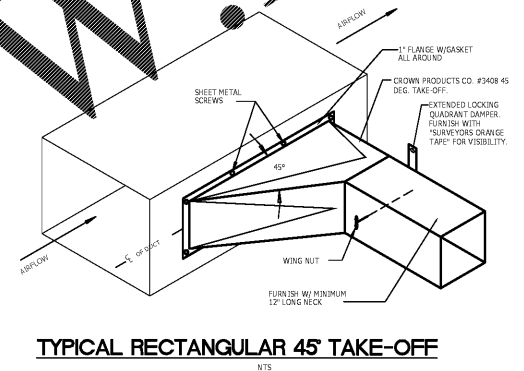
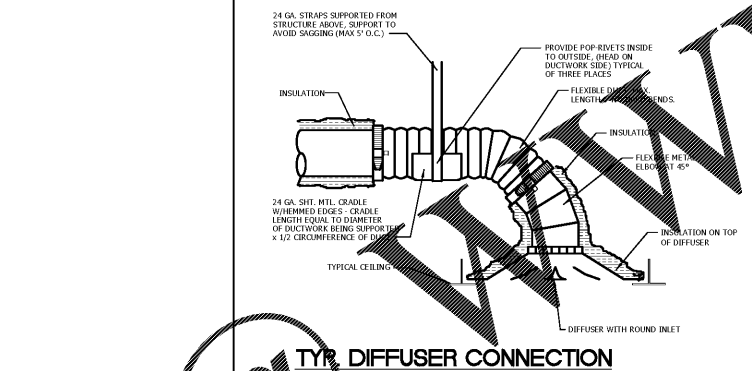
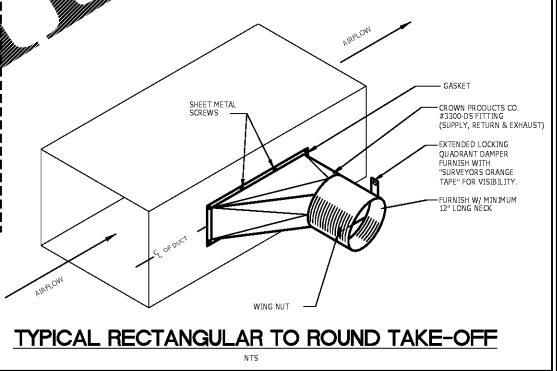
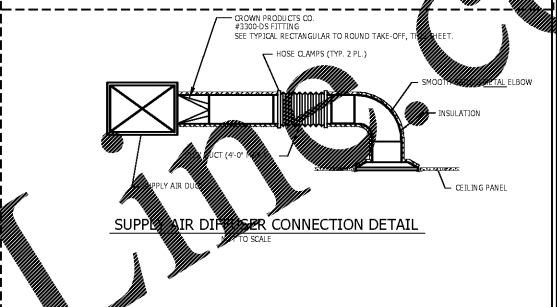
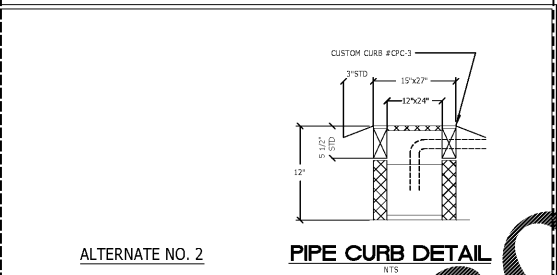
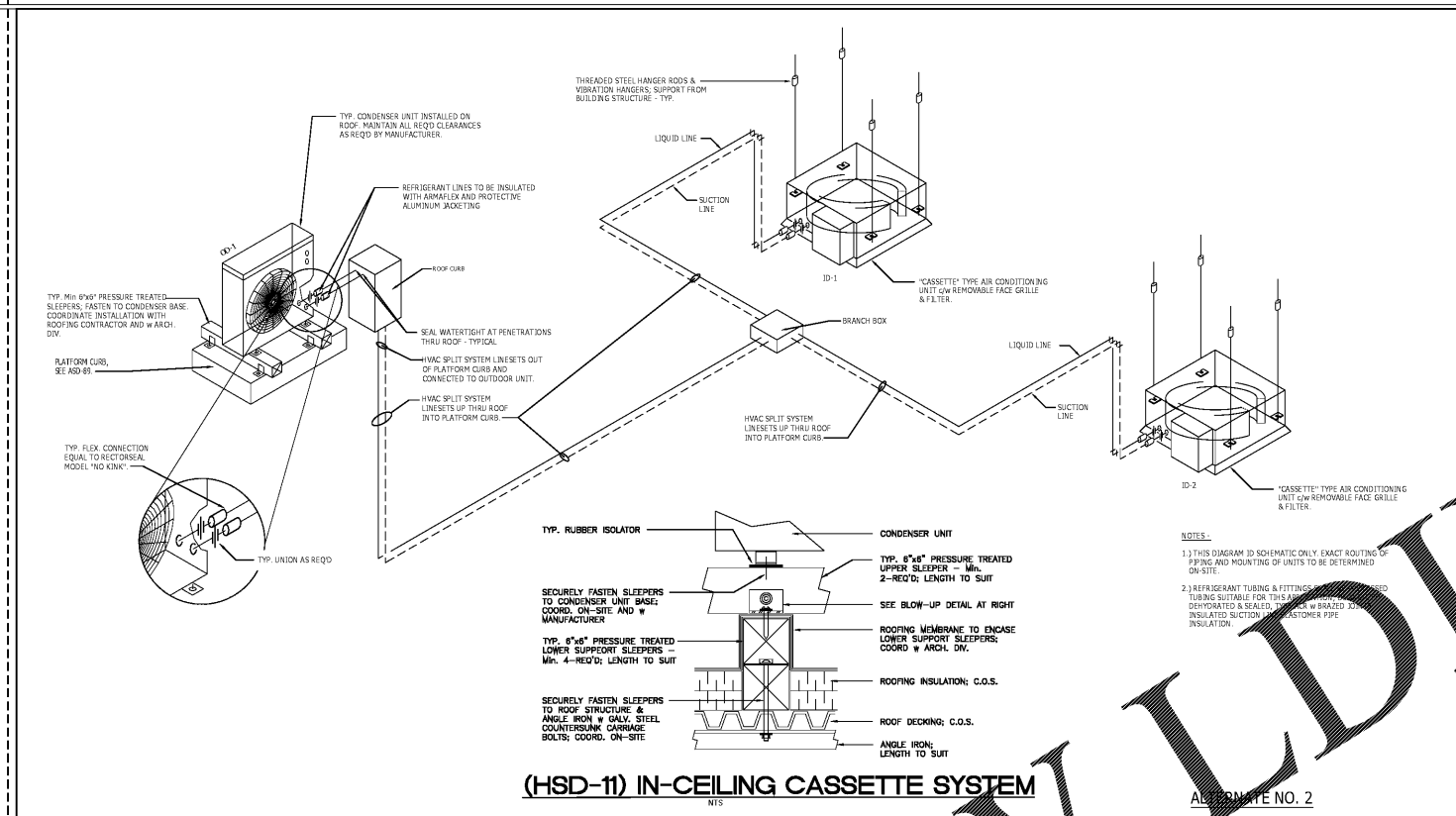


Order Plans @



CONTRACTOR TO COORDINATE VOLTAGE AND PHASE OF EACH PIECE OF EQUIPMENT WITH ELECTRICAL CONTRACTOR BEFORE ORDERING EQUIPMENT.

- MECHANICAL NOTES:**
1. ALL MECHANICAL EQUIPMENT SHALL BE INSTALLED IN ACCORDANCE WITH MANUFACTURER'S RECOMMENDATIONS AND LOCAL CODES.
 2. ALL DUCTWORK SHALL BE GALVANIZED SHEET METAL AND SHALL BE FABRICATED AND INSTALLED IN ACCORDANCE WITH SMACNA DUCT CONSTRUCTION STANDARDS. DUCT HANGERS AND SUPPORTS SHALL BE IN ACCORDANCE WITH SMACNA RECOMMENDATIONS.
 3. INTERNALLY LINE THE FIRST 10' OF ALL SUPPLY AND RETURN DUCT WITH FIBERGLASS DUCT LINER PER SPECIFICATIONS. INSTALL IN ACCORDANCE WITH SMACNA DUCT CONSTRUCTION STANDARDS. ALL DUCTWORK ELBOWS SHALL BE INSTALLED WITH TURNING VANES. ALL DUCTWORK ENCLOSED BY CEILING OR WALL SHALL BE INSULATED. EXPOSED DUCTWORK DOES NOT REQUIRE INSULATION.
 4. INSULATE ALL SUPPLY AND RETURN DUCT WITH SEMI RIGID BONDED FIBERGLASS HAVING A MINIMUM INSULATION R-4.
 5. PROVIDE CONDENSATE DRAINS FOR ALL EQUIPMENT REQUIRING THEM. ALL CONDENSATE DRAINAGE PIPING SHALL BE SCHEDULE 40 PIPE WITH 300 PSI SHORTS USING SOLENT CEMENT. PIPING SHALL BE RUN FULL SIZE OF CONNECTION AND THE PIPING SHALL HAVE AN ADEQUATE AIR SEAL TRAP AT EACH UNIT CONNECTION WITH A MIN. 1/2" DOWN SLOPE.
 6. THE MECHANICAL DRAWINGS ARE DIAGRAMMATIC AND SHOW THE RELATIONSHIP BETWEEN EQUIPMENT AND CONNECTIONS. DO NOT SCALE THE DIMENSIONS FOR EXACT SIZES OR LOCATIONS. BUILDING DIMENSIONS SHALL BE USED FOR CONNECTIONS. ALL DIMENSIONS SHALL BE TAKEN FROM CERTIFIED EQUIPMENT DATA.
 7. INSTALL SMOKE DETECTORS. SMOKE DETECTORS SHALL BE LOCATED IN THE SUPPLY AND RETURN AIR DOWNSTREAM OF THE FILTERS AND AHEAD OF ANY BRANCH CONNECTIONS. SMOKE DETECTORS SHALL AUTOMATICALLY SHUT DOWN THE RTU WHEN HEAT WITHIN THE SYSTEM BECOMES EXCESSIVE OR EXCEEDS 134°F.
 8. ALL FANS OF 2,000 CM OR MORE SHALL HAVE A MEANS OF AUTOMATIC SHUTDOWN.
 9. ROOFTOP UNITS TO HAVE FACTORY MOUNTED FUSED DISCONNECT SWITCH. MAY HAVE NON-FUSED DISCONNECT SWITCH IF APPROVED BY LOCAL AUTHORITIES.
 10. CONTRACTOR TO COORDINATE VOLTAGE AND PHASE OF EACH PIECE OF EQUIPMENT WITH ELECTRICAL CONTRACTOR BEFORE ORDERING EQUIPMENT.
 11. COORDINATE THE LOCATION OF ALL PENETRATIONS OF THE STRUCTURE WITH ARCHITECTURAL AND STRUCTURAL DRAWINGS.
 12. EXACT LOCATION OF ALL CEILING OF FUSERS TO BE COORDINATED WITH LIGHTING LAYOUT AND REFLECTED CEILING PLAN.
 13. ALL FANS 1/2 HP AND ABOVE SHALL HAVE FUSED DISCONNECT SWITCH MOUNTED AT THE FAN. MAY BE EQUIPPED WITH NON-FUSED DISCONNECT SWITCH IF APPROVED BY LOCAL AUTHORITIES.
 14. PROVIDE TURNING VANES IN ALL RECTANGULAR 90 DEGREE FITTED ELBOWS.
 15. COORDINATE WITH KROGER PROJECT MANAGER FOR EXACT LOCATION OF CPC CONTROL.
 16. ALL RTUs TO BE CONTROLLED BY CPC ENERGY MANAGEMENT SYSTEM.
 17. ALL DUCTWORK TO BE MOUNTED TIGHT TO WALL UNLESS OTHERWISE NOTED.
 18. CONDENSATE DRAIN INSULATION. INSULATE ALL HORIZONTAL CONDENSATE DRAIN PIPING WITHIN THE BUILDING WITH 1/2" WALL THICKNESS ARMAULON TYPE INSULATION.
 19. MOUNT THERMOSTATS 48" A.F.F. UNLESS OTHERWISE NOTED. THERMOSTATS LOCATED ON AN OUTSIDE WALL SHALL BE POINTED ON AN INSULATED BANE.
 20. PROVIDE BALANCING DAMPERS AT POINTS ON SUPPLY, RETURN AND EXHAUST SYSTEMS WHERE BRANCHES LEAD FROM LARGE DUCTS AS REQUIRED FOR AIR BALANCING. INSTALL A MINIMUM OF TWO DUCT WIDTHS FROM BRANCH TAKEOFF.

- NOTES TO GENERAL CONTRACTOR REGARDING KROGER SUPPLIED, CONTRACTOR INSTALLED EQUIPMENT:**
1. CONTRACTOR TO OBTAIN APPROVAL OF ANY DELIVERY DATE CHANGES FROM KROGER PROJECT MANAGER AND COORDINATE WITH VENDOR.
 2. CONTRACTOR TO RECEIVE EQUIPMENT, PROVIDE INSPECTION AND NOTIFY VENDOR & KROGER PROJECT MANAGER OF MISSING AND/OR DAMAGED MATERIALS WITHIN 48 HOURS AFTER DELIVERY (20 DAYS FOR CONCEALED DAMAGE).
 3. CONTRACTOR TO PROVIDE SAFE HARBORING, INSTALLATION AND REMOVAL OF ANY SALVAGE MATERIALS.
 4. CONTRACTOR TO HANDLE ANY WARRANTY CLAIMS (PRIOR TO STORE OPENING) DIRECTLY WITH VENDOR.

JGC
Jon G. Crye
Consulting Engineer

201 SHERLOCK LANE, SUITE 101
BIRMINGHAM, TENNESSEE 37622
PHONE: (865)-588-5348 FAX: (865)-247-0293

ISSUE DATE: MARCH 04, 2019
PROJECT NO: 219206
SHEET NUMBER: M 3 . 1

D&E
DOLLAR & FEVERS
ARCHITECTURAL INC.

1500 SHERLOCK LANE SUITE 101
BIRMINGHAM, TENNESSEE 37622
PHONE: (865)-588-5348 FAX: (865)-247-0293

Professional Engineer
No. 77201
JONATHAN G. CRYE

Kroger 483 - GA.

NO.	REVISIONS

A With-in-the-Walls Remodel for:
KROGER STORE #GA-483 SNELLVILLE
1670 STATE HWY 124, SUITE 'F', SNELLVILLE, GEORGIA 30078

H V A C D E T A I L S

COPYRIGHT
ALL RIGHTS RESERVED. NO PART OF THIS DOCUMENT MAY BE REPRODUCED OR TRANSMITTED IN ANY FORM OR BY ANY MEANS, ELECTRONIC OR MECHANICAL, INCLUDING PHOTOCOPYING, RECORDING, OR BY ANY INFORMATION STORAGE AND RETRIEVAL SYSTEM, WITHOUT THE WRITTEN PERMISSION OF THE COPYRIGHT OWNER.

COPYRIGHT