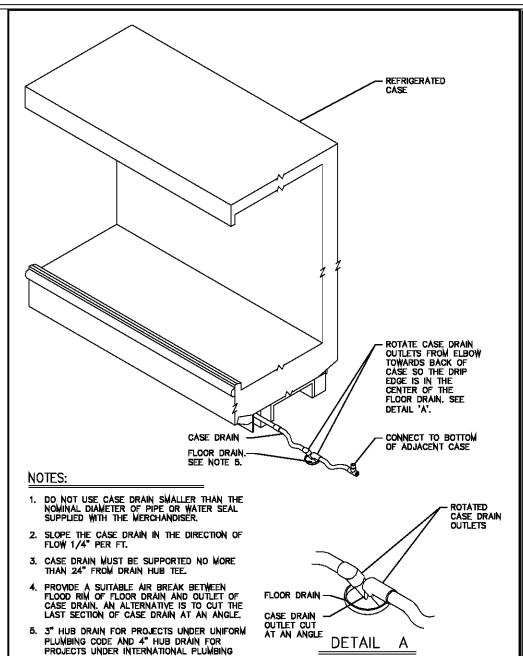
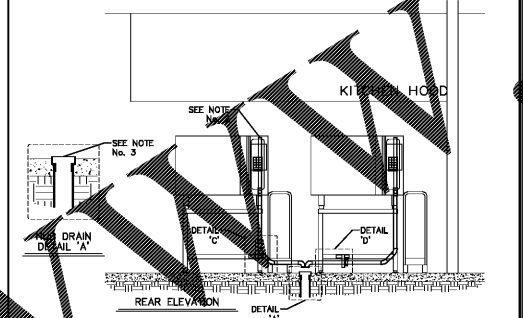


Order Plans @ WWWW



NOTES:

- DO NOT USE CASE DRAIN SMALLER THAN THE NOMINAL DIAMETER OF PIPE OR WATER SEAL SUPPLIED WITH THE MERCHANDISER.
- SLOPE THE CASE DRAIN IN THE DIRECTION OF FLOW 1/4" PER FT.
- CASE DRAIN MUST BE SUPPORTED NO MORE THAN 24" FROM DRAIN HUB TEL.
- PROVIDE A SUITABLE AIR BREAK BETWEEN FLOOR RIM OF FLOOR DRAIN AND OUTLET OF CASE DRAIN. AN ALTERNATIVE IS TO CUT THE LAST SECTION OF CASE DRAIN AT AN ANGLE.
- 3" HUB DRAIN FOR PROJECTS UNDER UNIFORM PLUMBING CODE AND 4" HUB DRAIN FOR PROJECTS UNDER INTERNATIONAL PLUMBING CODE.

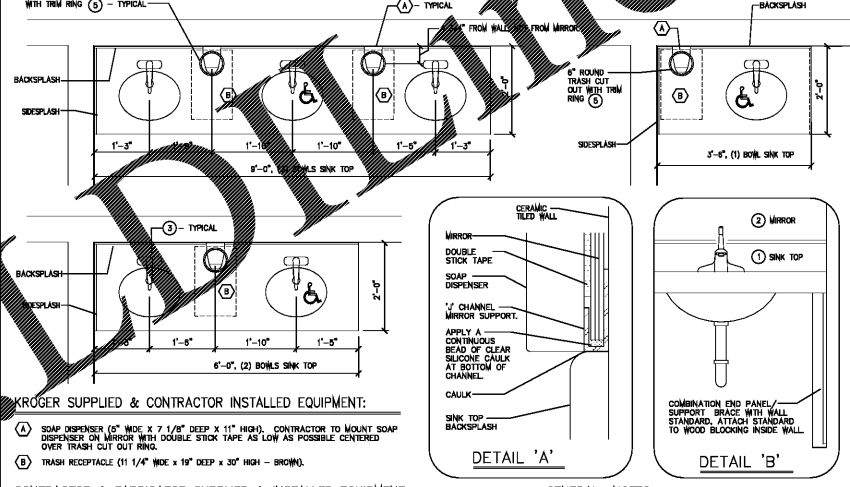
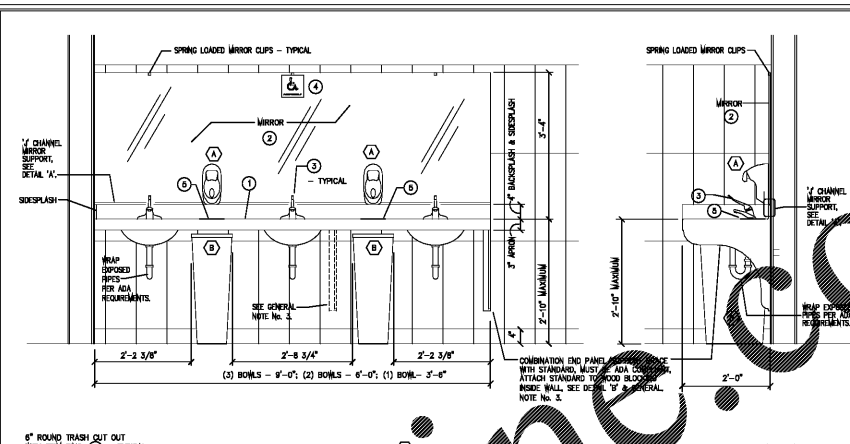


general notes:

- CONNECT THE 1-1/2" COPPER DRAIN LINE TO THE OVEN WITH A "NO HUB" COUPLING SUPPLIED WITH OVEN.
- DRAIN VENT PIPE MUST BE ABOVE THE OVEN EXHAUST VENT OPENING.
- CAST IRON HUB DRAIN OR FLOOR SINK AND CAST IRON PIPING, WITH (2) PIPE DIA. AIR GAP.
- SUPPORT DRAIN LINE WITH PIPE CLAMPED TO UNISTRUT SECURED TO OVEN STAND. SIMILAR TO ABOVE DETAILS.
- REFER TO OVEN INSTALLATION MANUAL WHEN DOUBLE STACKING OVENS AND PROJECT SPECIFICATION SECTION 11.41.33 FIXTURE AND EQUIPMENT PLUMBING CONNECTIONS.
- REFER TO COPPER B-LINE STRUT SYSTEMS CATALOG.

DATE: 1/29/16
SCALE: NONE
DRAWN: J ZAW
PISD-2

CASE DRAIN DETAIL
MASTER SPECIFICATION DETAIL



KROGER SUPPLIED & CONTRACTOR INSTALLED EQUIPMENT:

- SOAP DISPENSER (5" WIDE x 7 1/8" DEEP x 11" HIGH), CONTRACTOR TO MOUNT SOAP DISPENSER ON MIRROR WITH DOUBLE STRIP TAPE AS LOW AS POSSIBLE CENTERED OVER TRASH CUT OUT RING.
- TRASH RECEPTACLE (11 1/4" WIDE x 19" DEEP x 30" HIGH - BROWN).

CONTRACTOR & FABRICATOR SUPPLIED & INSTALLED EQUIPMENT:

- SOLID SURFACE SINK TOP WITH INTEGRAL SEAMLESS CONSTRUCTED 16" x 15" (NOMINAL INSIDE) SINK BOWLS. SIZE MAY VARY PER MANUF. APRON, BACKSPLASH, SIDE SPLASH (WHEN NEEDED), COMBINATION END PANEL/SUPPORT BRACE WITH WALL STANDING, & 6" ROUND TRASH CUTOUTS WITH TRIM RINGS. CLEAR SILICONE CAULK ALL JOINTS. SEE BUILDING SPECIFICATIONS SECTIONS 08 10 63 & 01 81 20. ALL COMPONENTS MUST BE ADA COMPLIANT. PROVIDE CONTINUOUS GALVANIZED METAL SUPPORT FRAME UNDER SINK TOP AS RECOMMENDED BY SINK TOP FABRICATOR. ATTACH TO BLOCKING INSIDE WALL. SEE GENERAL NOTE NO. 3 FOR ADDITIONAL INFORMATION.
- MIRROR UNIT FULL LENGTH TO MATCH SINK TOP. WITH SPRING LOADED MIRROR CLIPS & 1/2" CHANNEL MIRROR SUPPORT. REFER TO BUILDING SPECIFICATIONS SECTION 08 80 00 FOR MIRROR MANUFACTURE, INSTALLATION, CARE, ETC. INFORMATION. MIRROR TO BE INSTALLED AFTER TILES HAVE BEEN APPLIED TO WALL.
- FAUCET AND DRAIN, SEE BUILDING SPECIFICATIONS SECTION 22 42 00.
- PROVIDE AN ADA ACCESSIBLE DECAL ON MIRROR AT EACH ADA COMPLIANT SINK LOCATION.
- TRASH CHUTE TRIM RING TO BE PROVIDED & INSTALLED BY PLUMBING CONTRACTOR. PLUMBING CONTRACTOR TO INSTALL A BEAD OF SILICONE BETWEEN FLANGE AND SINK TOP TO SEAL AND SECURE RING. REFER TO SPEC SECTION TO 28 15.

GENERAL NOTES:

- RECOMMENDED MINIMUM WIDTH FOR EACH VERSION OF SINK TOPS LISTED FOR TRASH CANIS, BRACES, ETC. CLEARANCES. TOPS MAY BE WIDER BASED ON DESIGN CONDITIONS.
- (2) BOWLS SINK TOPS TO BE CONFIGURED SO AS THE ADA COMPLIANCE. SINK IS ON OPEN END SIDE OF SINK OPPOSITE THE WALL ATTACHED SIDE.
- ALL SINKS TOP TO HAVE COMBINATION END PANEL/SUPPORT BRACES AT LOCATIONS WITHOUT WING WALLS. ALL SINKS GREATER THAN 24" WIDE TO HAVE ADDITIONAL SUPPORT TO PREVENT SINK TOP FROM CRACKING. SUPPORT TO BE LOCATED 50" AS NOT TO INTERFERE WITH TRASH RECEPTACLE OR PLUMBING.

DATE: 9/12/18
SCALE: NONE
DRAWN: ZAW
PSD-50

SOLID SURFACE TOPS WITH SINKS
MODIFIED SPECIFICATION DETAIL

D&E DOLLAR & FEVERS ARCHITECTURE, INC.

10750 WOODBRIDGE DRIVE
NASHVILLE, TN 37215
615-545-1111 • FAX 615-673-9028
www.dollarandfevers.com

Professional Seal: J. G. Crye, Registered Professional Engineer, State of Tennessee, No. 77291.

Kroger 483 - GA.

NO.	REVISIONS

A With-in-the-Walls Remodel for:

KROGER STORE #GA-483 SNELLVILLE
1670 STATE HWY 124, SUITE 'F', SNELLVILLE, GEORGIA 30078

PSD DETAILS

COPYRIGHT

ALL RIGHTS RESERVED. THIS DOCUMENT AND ITS CONTENTS ARE THE PROPERTY OF D&E DOLLAR & FEVERS ARCHITECTURE, INC. AND SHALL REMAIN THE PROPERTY OF D&E DOLLAR & FEVERS ARCHITECTURE, INC. NO PART OF THIS DOCUMENT OR ITS CONTENTS MAY BE REPRODUCED OR TRANSMITTED IN ANY FORM OR BY ANY MEANS, ELECTRONIC OR MECHANICAL, INCLUDING PHOTOCOPYING, RECORDING, OR BY ANY INFORMATION STORAGE AND RETRIEVAL SYSTEM, WITHOUT THE WRITTEN PERMISSION OF D&E DOLLAR & FEVERS ARCHITECTURE, INC. THIS DOCUMENT IS PROVIDED AS A GUIDE ONLY. THE USER SHALL BE RESPONSIBLE FOR VERIFYING THE ACCURACY OF ALL INFORMATION AND FOR OBTAINING NECESSARY PERMITS AND APPROVALS FROM THE APPROPRIATE AGENCIES. THE USER SHALL BE RESPONSIBLE FOR OBTAINING NECESSARY PERMITS AND APPROVALS FROM THE APPROPRIATE AGENCIES. THE USER SHALL BE RESPONSIBLE FOR OBTAINING NECESSARY PERMITS AND APPROVALS FROM THE APPROPRIATE AGENCIES.

ISSUE DATE: MARCH 04, 2019

PROJECT NO.: 219206

SHEET NUMBER: P 5.2.2

THE USER PROFESSIONAL SHALL BE RESPONSIBLE FOR VERIFYING THE ACCURACY OF ALL INFORMATION AND FOR OBTAINING NECESSARY PERMITS AND APPROVALS FROM THE APPROPRIATE AGENCIES. THE USER SHALL BE RESPONSIBLE FOR OBTAINING NECESSARY PERMITS AND APPROVALS FROM THE APPROPRIATE AGENCIES.

JGC

Jon G. Crye
Consulting Engineer

201 SHERAKE LANE, SUITE 101
KNOXVILLE, TENNESSEE 37922
PHONE: (865)-589-6348 FAX: (865)-247-0293