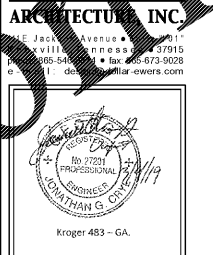
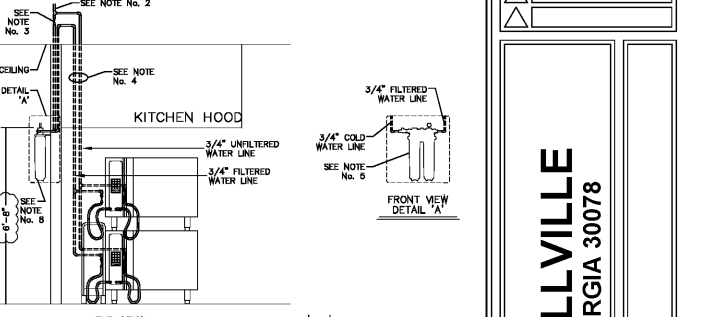
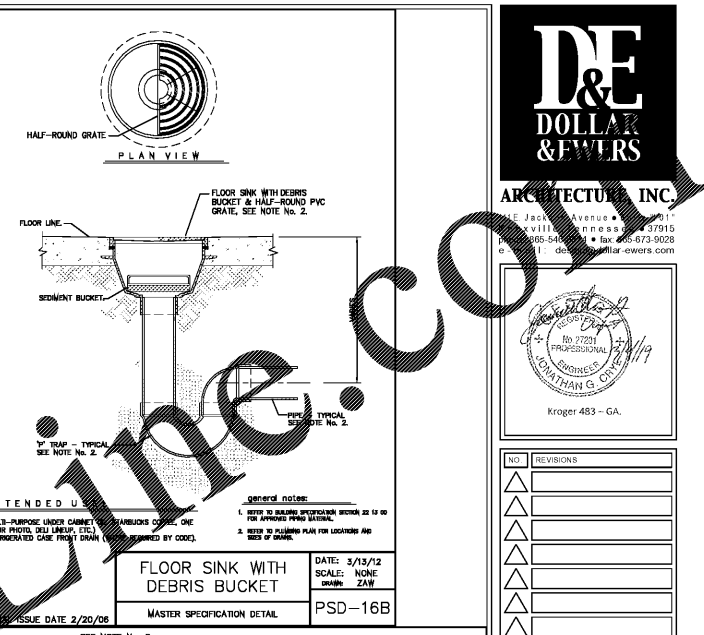
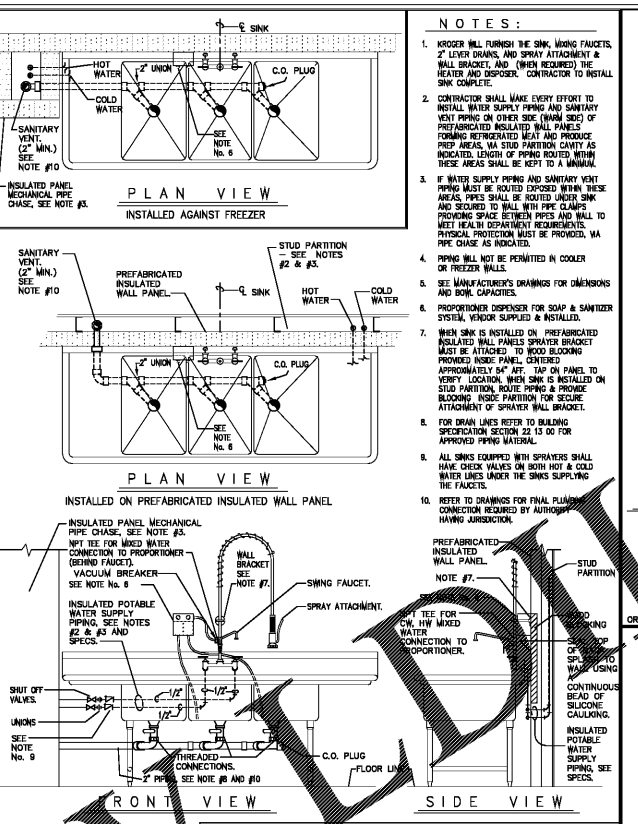
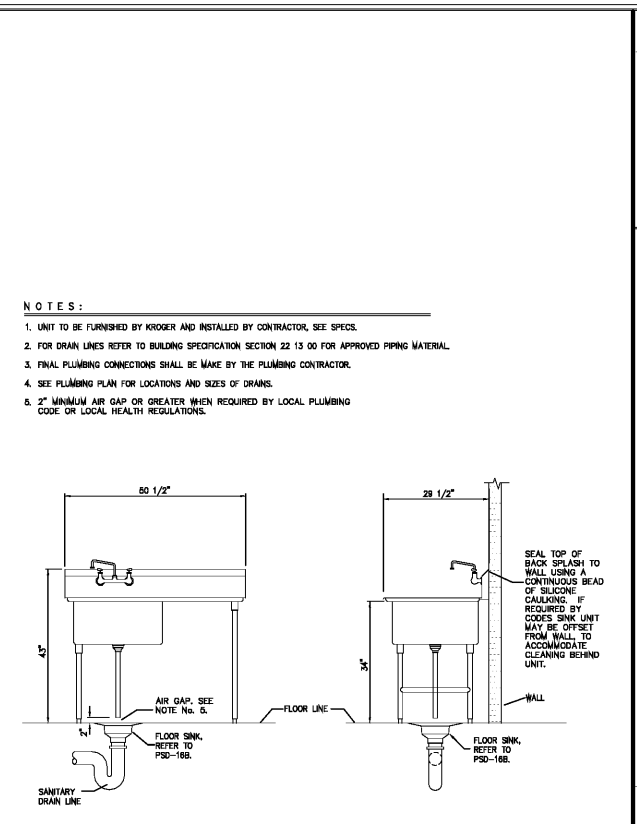
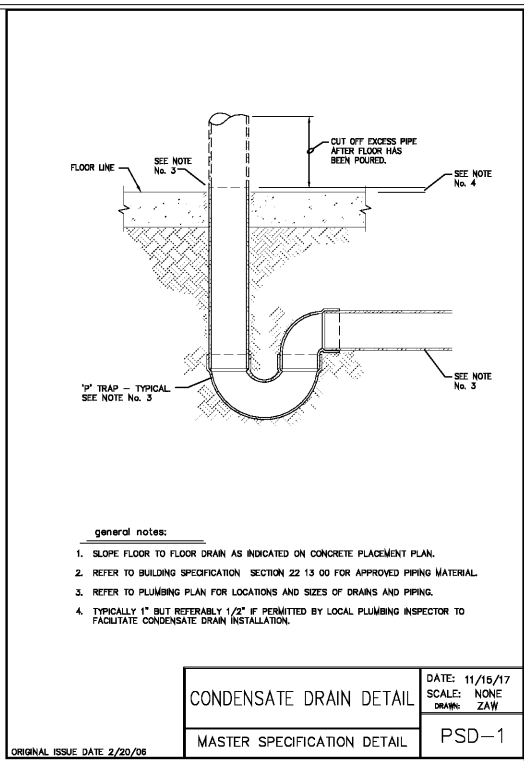


Order Plans @ www.dollars.com



NO.	REVISIONS

A With-in-the-Walls Remodel for:
KROGER STORE #GA-483 SNELLVILLE
1670 STATE HWY 124, SUITE 'F', SNELLVILLE, GEORGIA 30078

PSD DETAILS

COPYRIGHT
All rights reserved. No part of this publication may be reproduced, stored in a retrieval system, or transmitted, in any form or by any means, electronic, mechanical, photocopying, recording, or by any information storage and retrieval system, without the prior written permission of the copyright owner.

ISSUE DATE: MARCH 04, 2019
PROJECT NO: 219206
SHEET NUMBER: P 5.2.1

JGC
Jon G. Crye
Consulting Engineer
201 SHERAKE LANE, SUITE 101
BIRMINGHAM, TENNESSEE 37622
PHONE: (865)-388-6348 FAX: (865)-247-0293