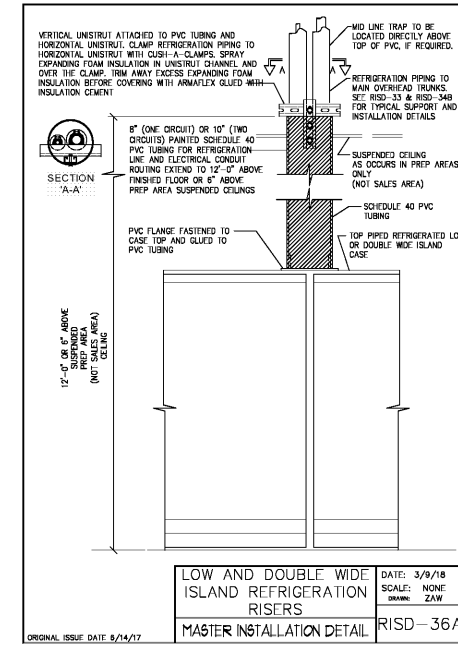
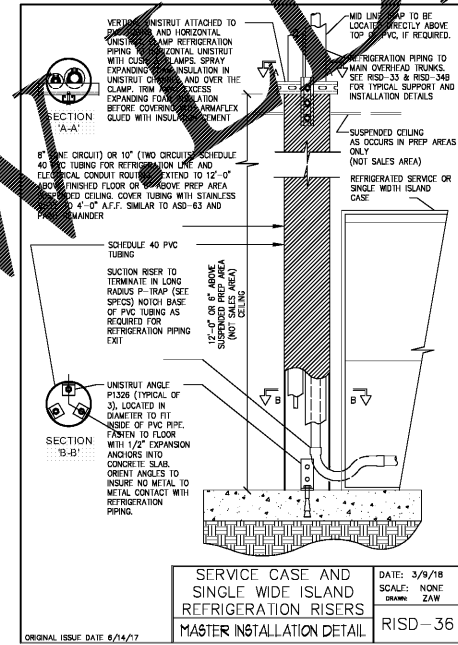
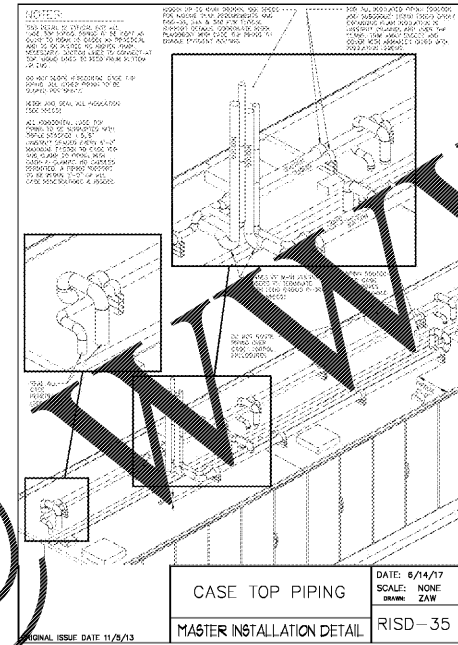
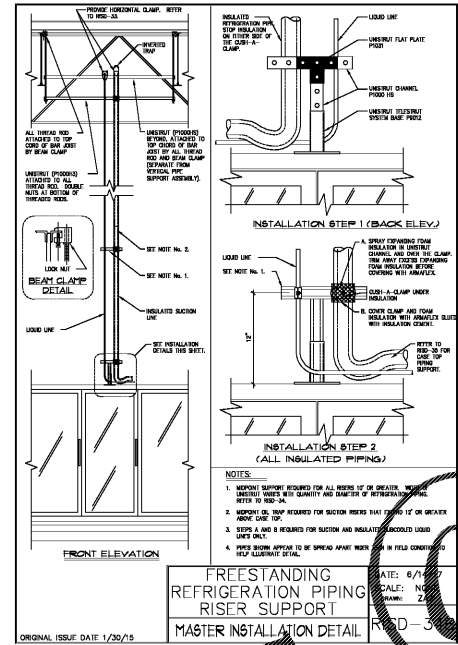
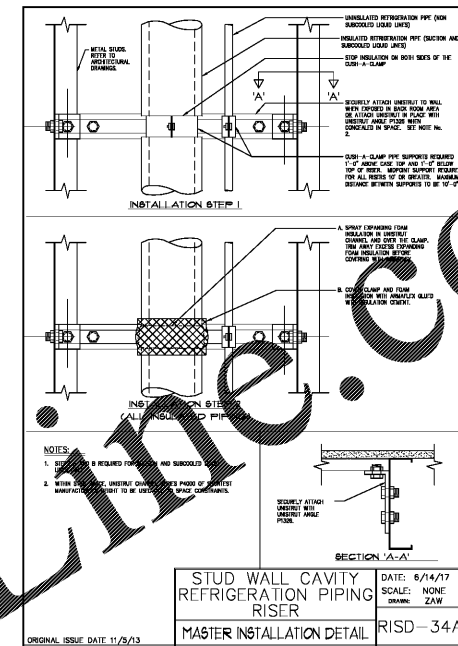
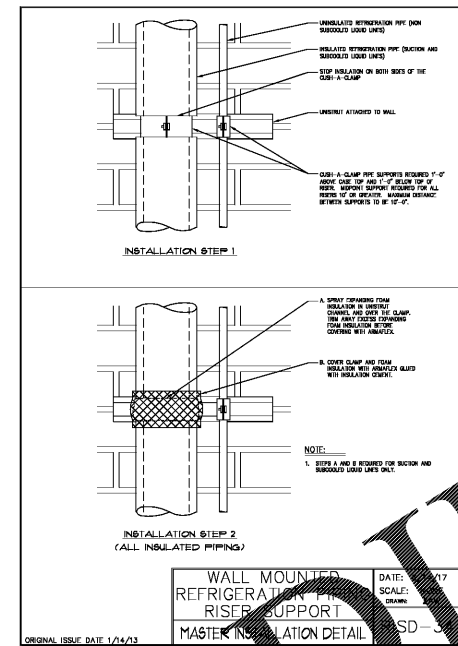
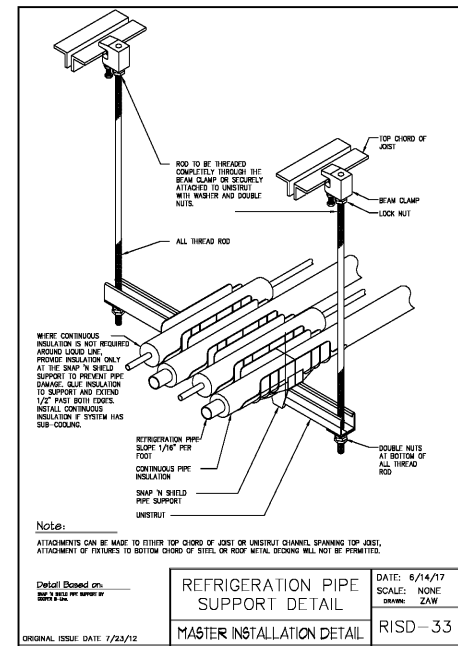
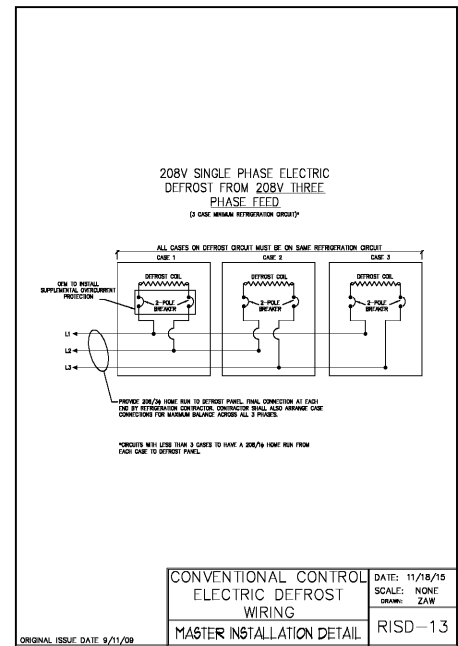


Order Plans



D&E
DOLLAH & FLOWERS
 ARCHITECTURE, INC.



NO.	REVISIONS

A With-in-the-Walls Remodel for:
KROGER STORE #GA-483 SNELLVILLE
 1670 STATE HWY 124, SUITE 'F', SNELLVILLE, GEORGIA 30078

REFRIGERATION STANDARD DETAILS

COPYRIGHT
 All drawings are the property of D&E Dolлах & Flowers Architecture, Inc. No part of this drawing may be reproduced or transmitted in any form or by any means, electronic, mechanical, photocopying, recording, or by any information storage and retrieval system, without the prior written permission of D&E Dolлах & Flowers Architecture, Inc. This drawing is intended for the project identified above and is not to be used for any other project without the prior written permission of D&E Dolлах & Flowers Architecture, Inc. The user of this drawing assumes all liability for any errors or omissions. The user of this drawing also assumes all liability for any damage or injury resulting from the use of this drawing. The user of this drawing also assumes all liability for any costs incurred in the production of this drawing. The user of this drawing also assumes all liability for any costs incurred in the reproduction of this drawing.

COPYRIGHT

ISSUE DATE:	MARCH 04, 2019
PROJECT NO.:	219206
SHEET NUMBER:	R5.1