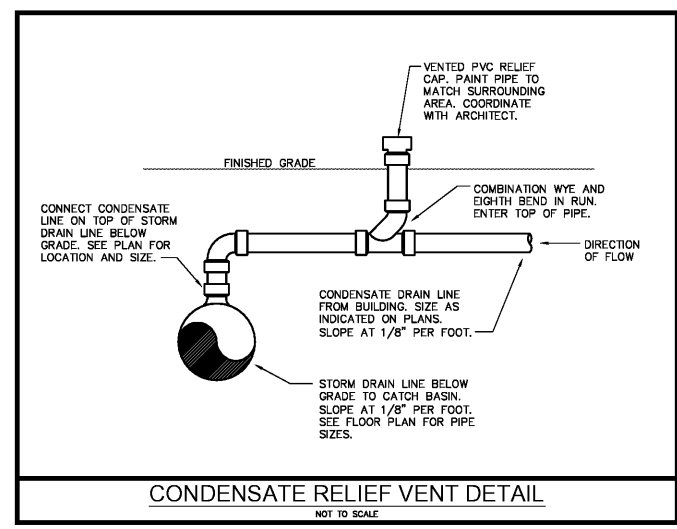
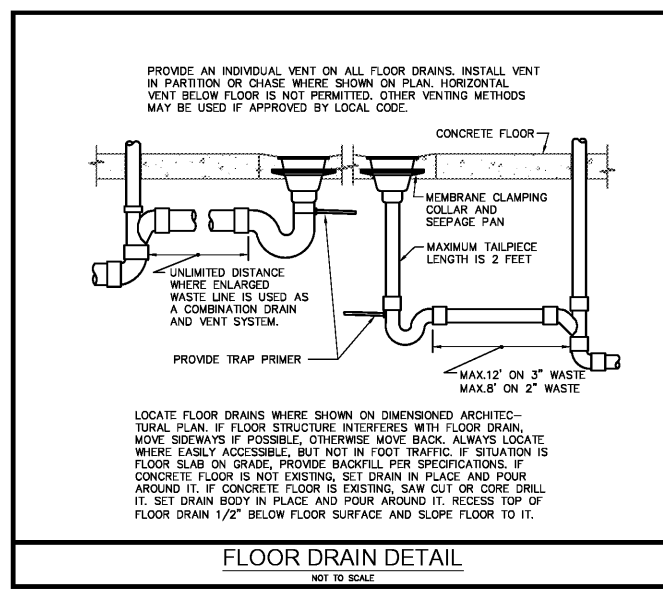
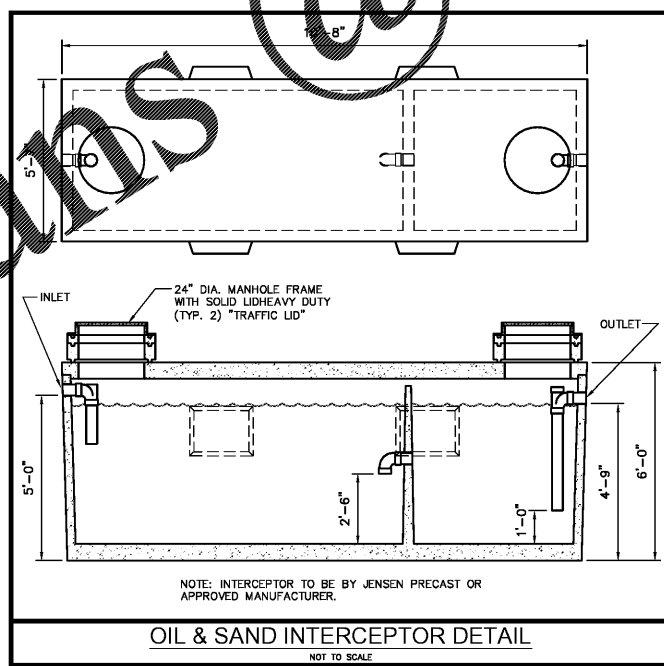
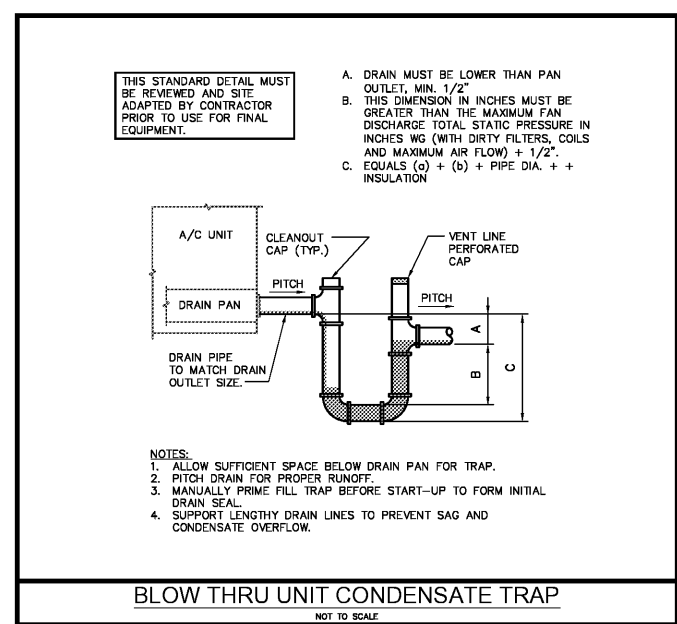
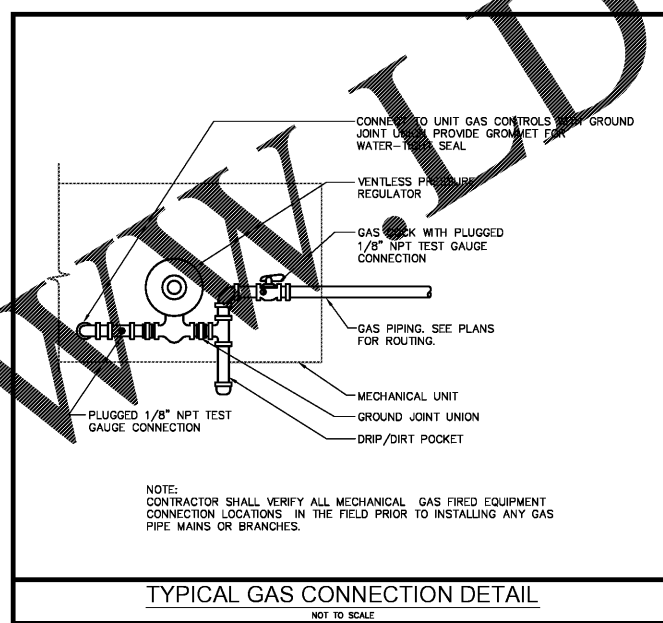
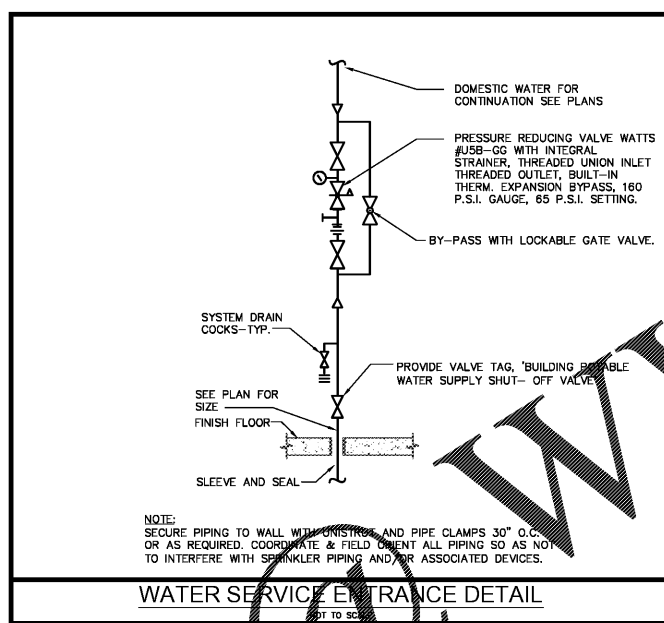
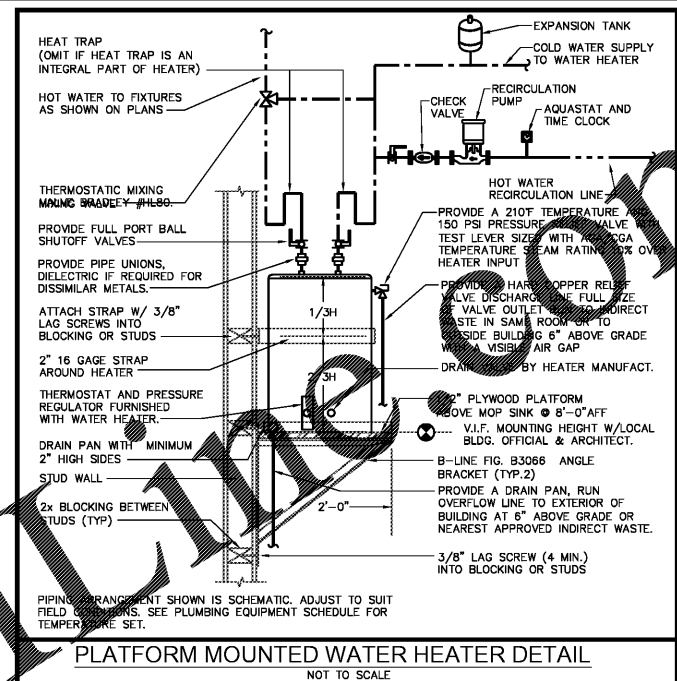
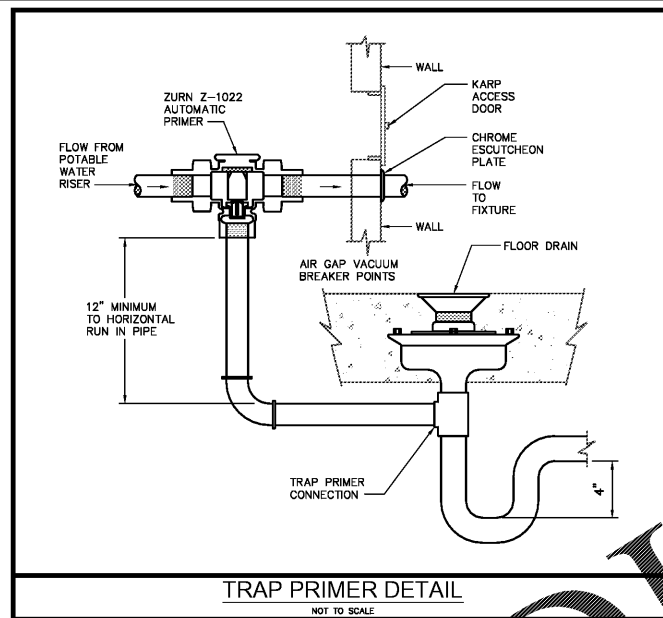
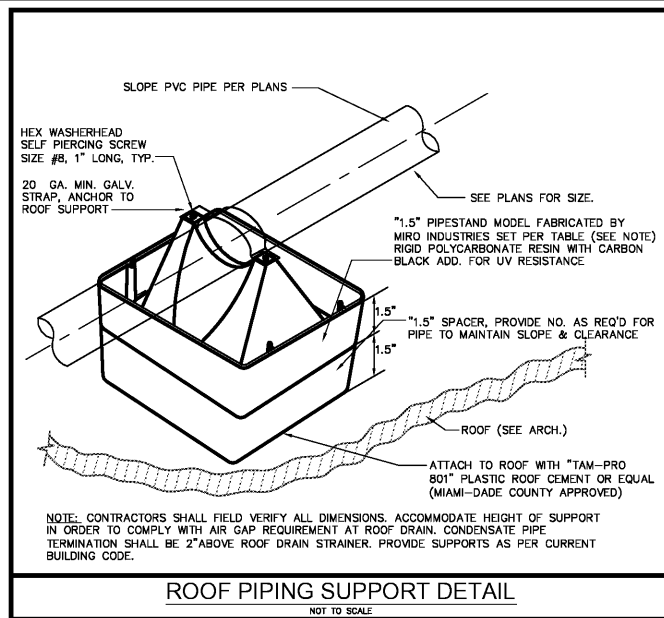
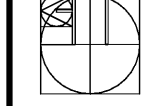


Order Plans



REVISION	DATE

ELLSWORTH ARCHITECTS  
3136 LANIER DRIVE  
ATLANTA, GEORGIA 30319  
PHONE: 404.949.9351



PRO BUILDING SYSTEMS  
DESIGN BUILD CONTRACTORS

3678 North Peachtree Road  
Atlanta, Georgia 30341  
(770) 455-1791 / Fax 455-4123  
www.probdgsystems.com

GINN CHRYSLER - DODGE - RAM AND JEEP  
1-20 ACCESS ROAD  
COVINGTON GEORGIA 30040

DATE: 11.06.2018  
SCALE: AS SHOWN  
BY: GD  
JOB ID:

PLUMBING DETAILS  
DRAWING TITLE

P0.2  
SHEET 2 OF 8

PROMUS  
SCOTT MERIWETHER, P.E.  
GEORGIA LICENSE #30780  
518 BLACK CANYON PARK  
CANTON, GA 30114  
PROJECT MANAGER: GEORGE DAVIDOV  
PHONE 678.246.5146