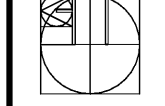




REVISION DATE

ELLSWORTH ARCHITECTS
 3136 LANIER DRIVE
 ATLANTA, GEORGIA 30319
 PHONE: 404.949.9351



PRO BUILDING SYSTEMS
 DESIGN BUILD CONTRACTORS

3678 North Peachtree Road
 Atlanta, Georgia 30341
 (770) 455-1791 / Fax 455-4123
 www.probdgsystems.com

GINN CHRYSLER - DODGE - RAM AND JEEP
 1-20 ACCESS ROAD
 COVINGTON GEORGIA 30040

DATE: 11.06.2018
 SCALE: AS SHOWN
 BY: GD
 JOB ID:

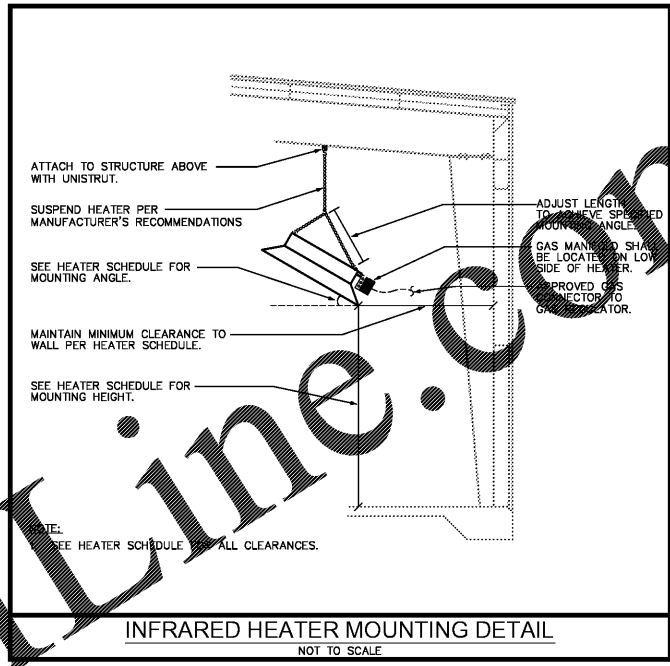
MECHANICAL DETAILS

DRAWING TITLE

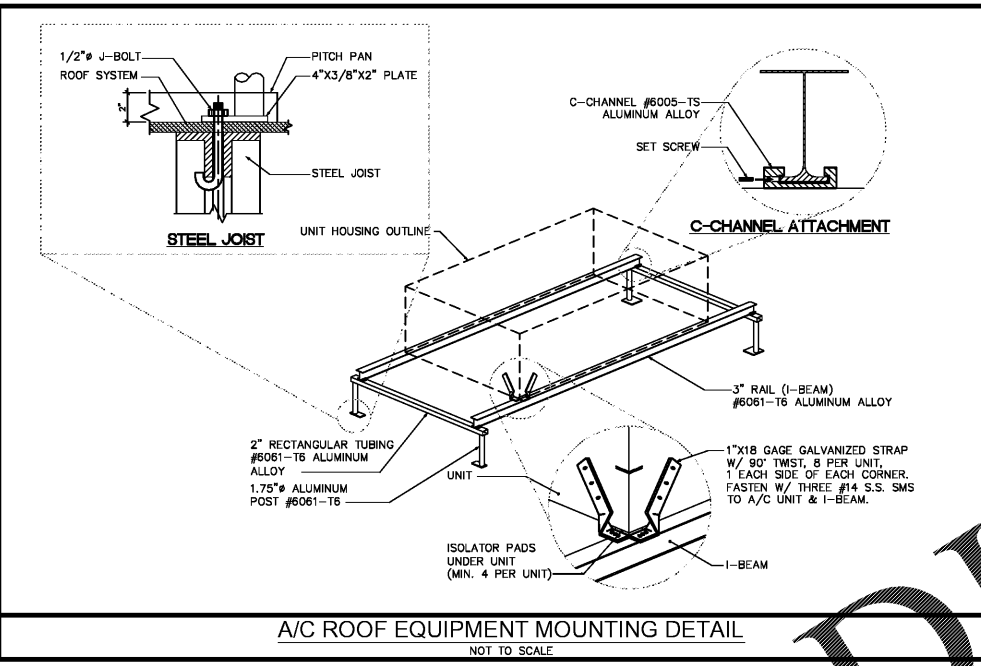
M7.2

SHEET 7 OF 7

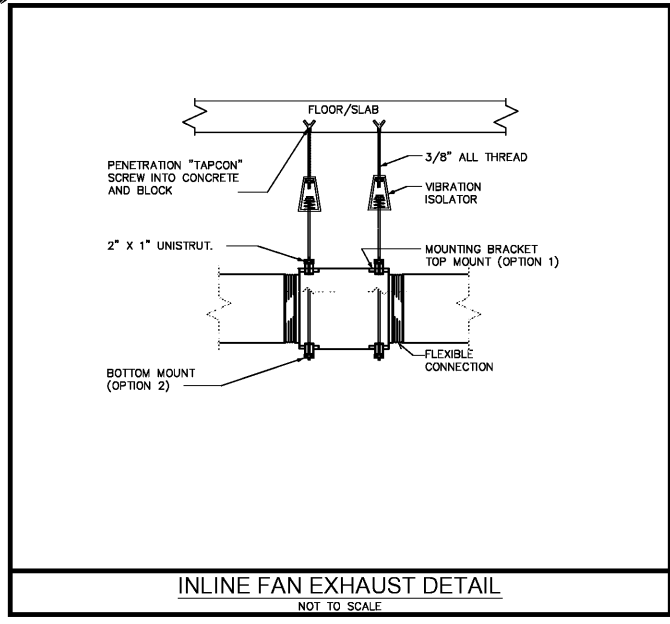
PROMUS
 SCOTT MERIWETHER, P.E.
 GEORGIA LICENSE #30780
 518 BLACK CANYON PARK
 CANTON, GA 30114
 PROJECT MANAGER: GEORGE DAVIDOV
 PHONE 678.246.5146



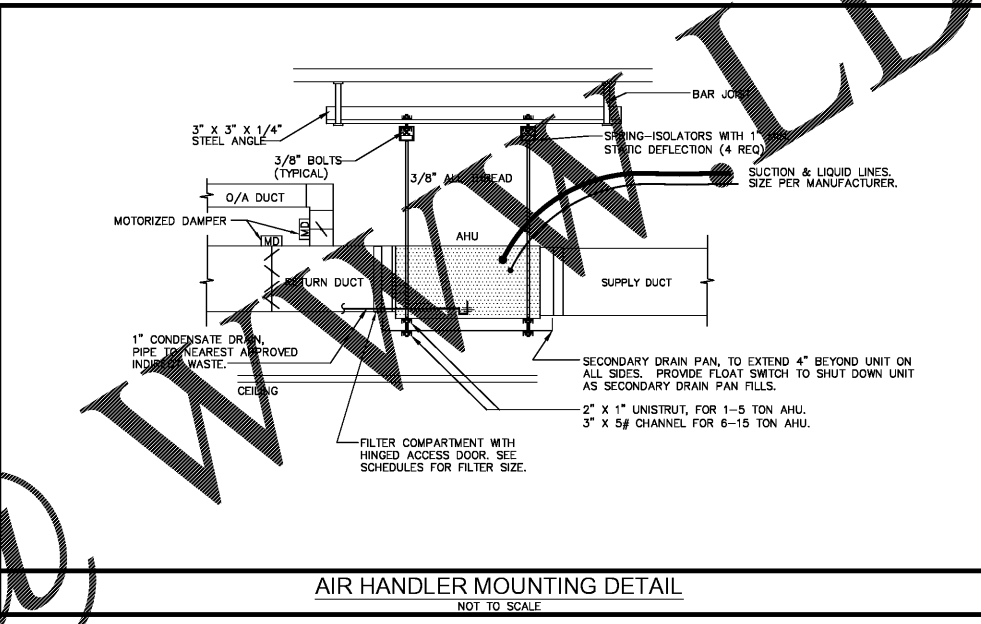
INFRARED HEATER MOUNTING DETAIL
NOT TO SCALE



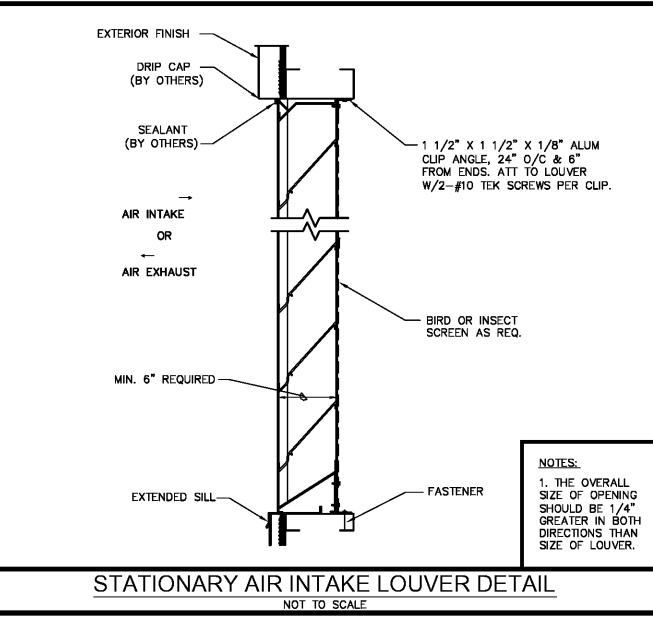
A/C ROOF EQUIPMENT MOUNTING DETAIL
NOT TO SCALE



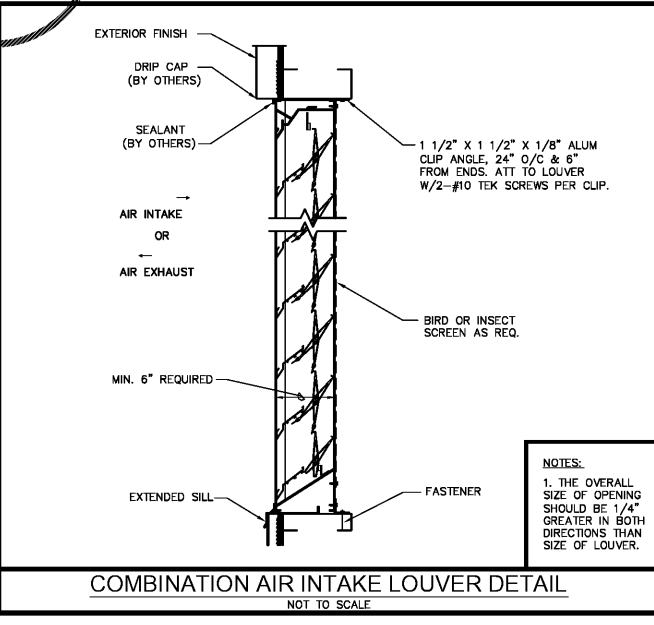
INLINE FAN EXHAUST DETAIL
NOT TO SCALE



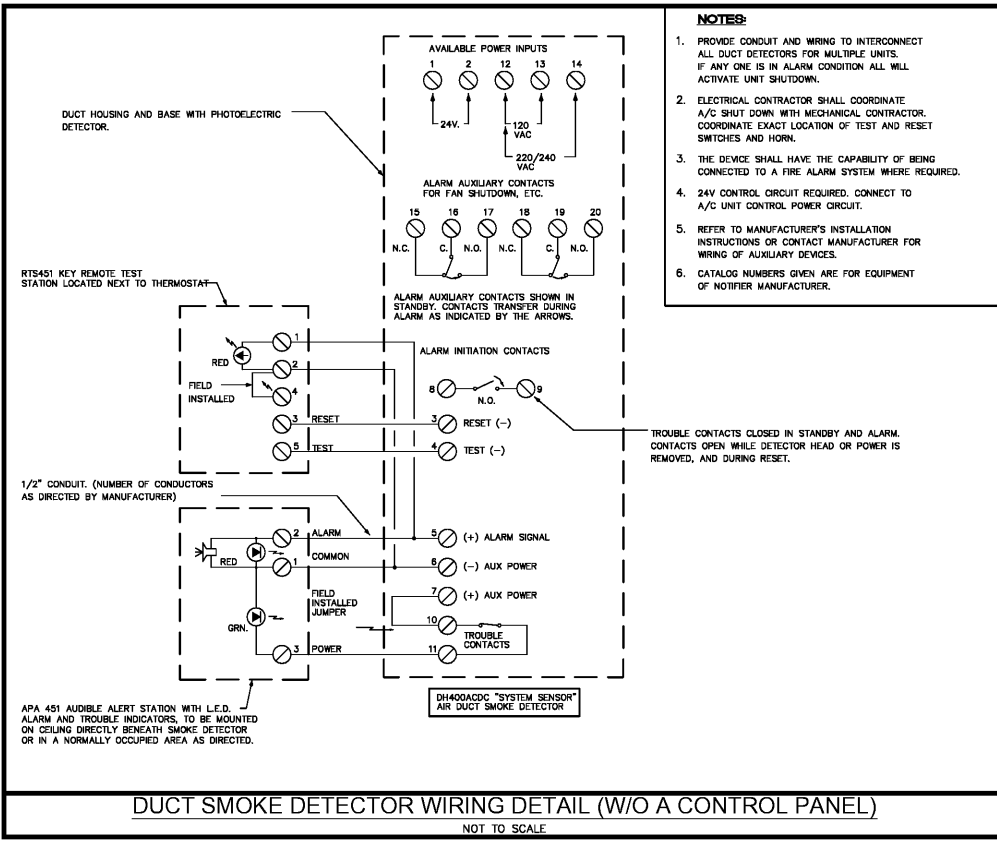
AIR HANDLER MOUNTING DETAIL
NOT TO SCALE



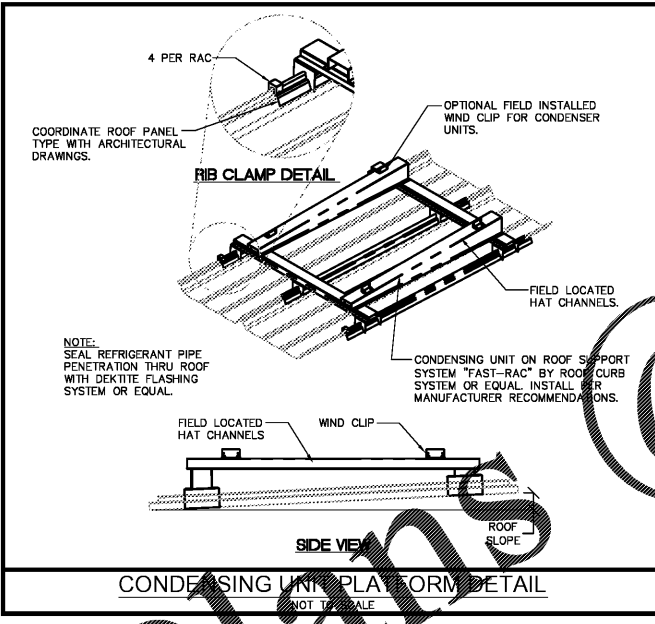
STATIONARY AIR INTAKE LOUVER DETAIL
NOT TO SCALE



COMBINATION AIR INTAKE LOUVER DETAIL
NOT TO SCALE



DUCT SMOKE DETECTOR WIRING DETAIL (W/O A CONTROL PANEL)
NOT TO SCALE



CONDENSING UNIT PLATFORM DETAIL
NOT TO SCALE

Order Plans