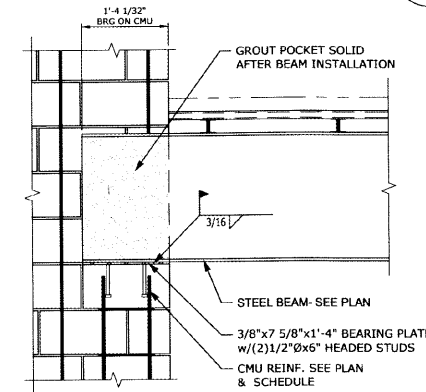
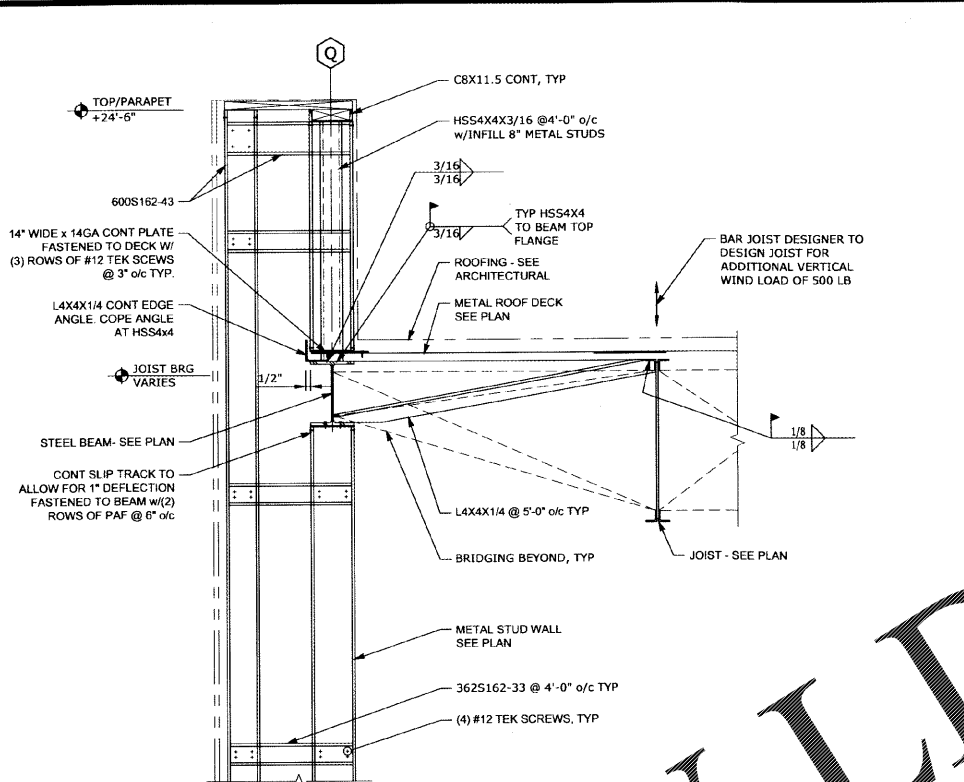


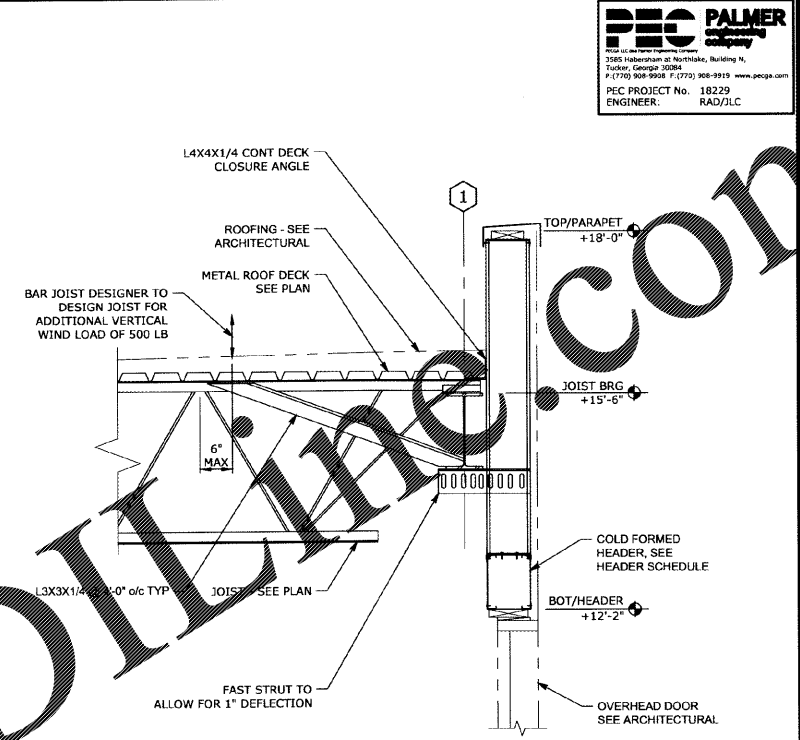
SECTION 1 ALONG COLUMN LINE K, L & D
 SCALE: 3/4" = 1'-0"
S4.2



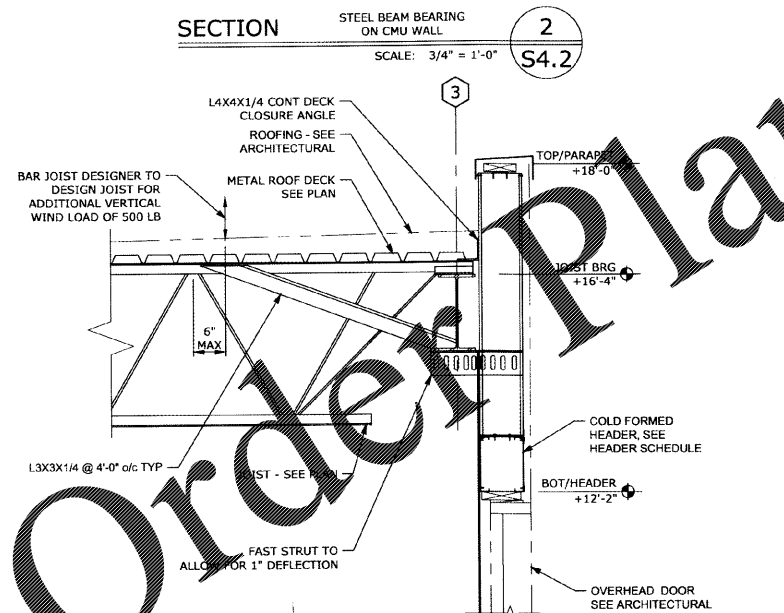
SECTION 2 STEEL BEAM BEARING ON CMU WALL
 SCALE: 3/4" = 1'-0"
S4.2



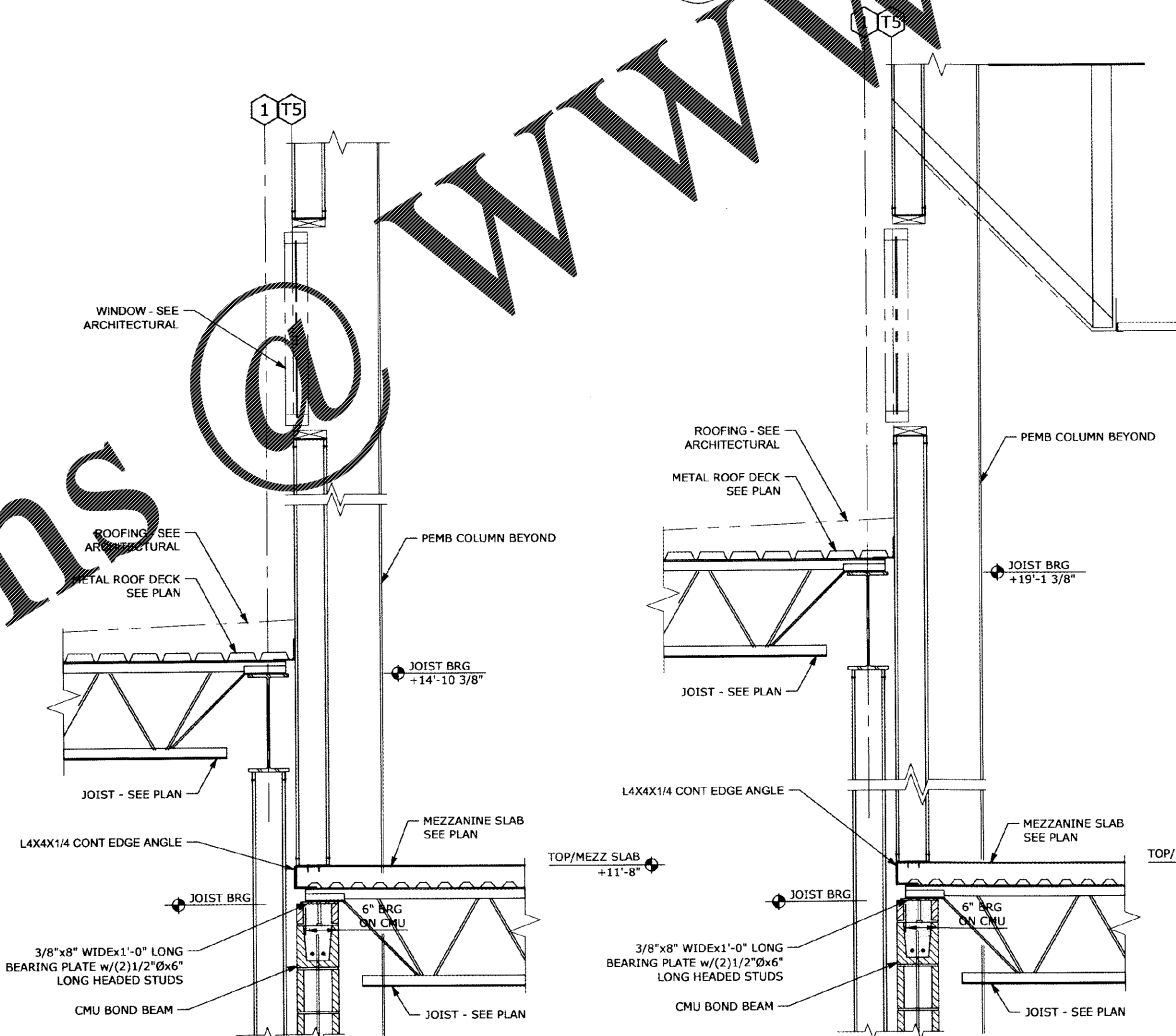
SECTION 4 EXTERIOR WALL
 SCALE: 3/4" = 1'-0"
S4.2



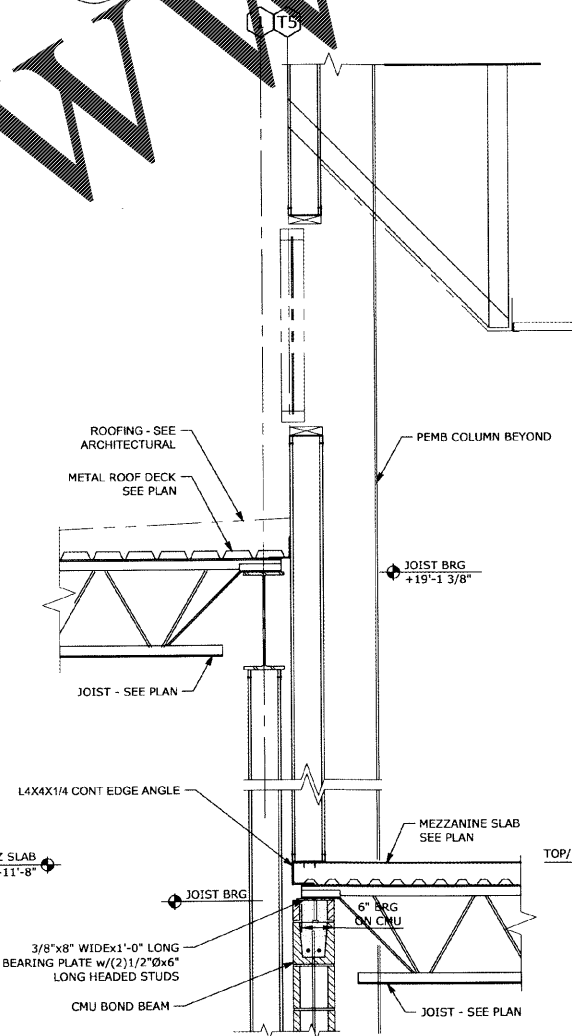
SECTION 6 AT SERVICE RECEPTION
 SCALE: 3/4" = 1'-0"
S4.2



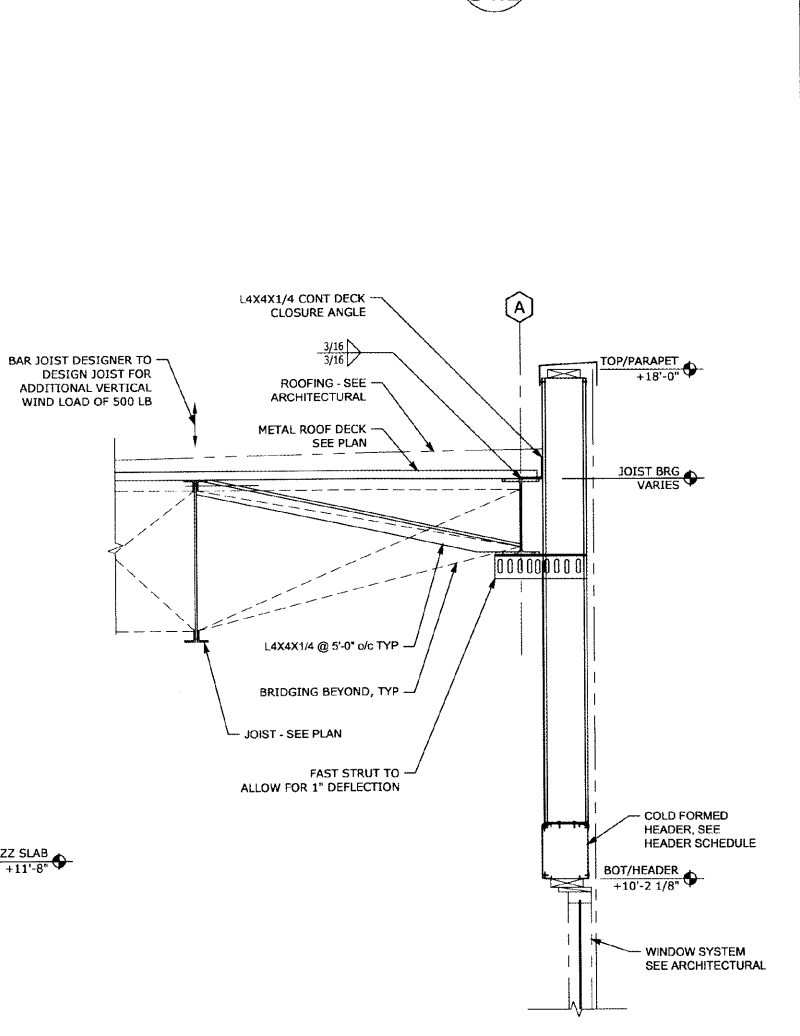
SECTION 3 AT SERVICE RECEPTION
 SCALE: 3/4" = 1'-0"
S4.2



SECTION 5 BETWEEN SHOW ROOM AND PEMB BLDG
 SCALE: 3/4" = 1'-0"
S4.2



SECTION 7 BETWEEN SHOW ROOM AND PEMB BLDG
 SCALE: 3/4" = 1'-0"
S4.2



SECTION 8 AT SERVICE RECEPTION
 SCALE: 3/4" = 1'-0"
S4.2

Order Plans @ WWW.LDILLINE.COM