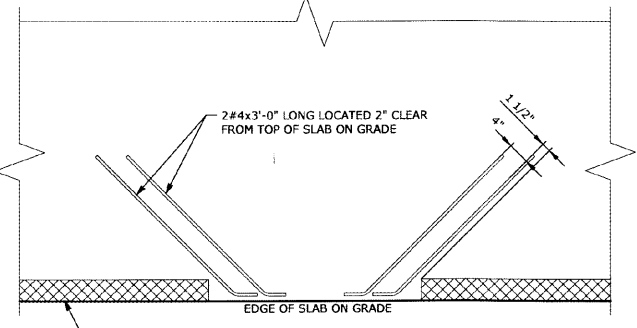
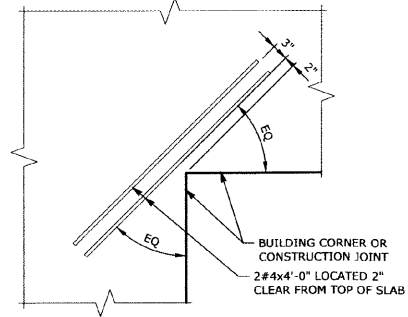
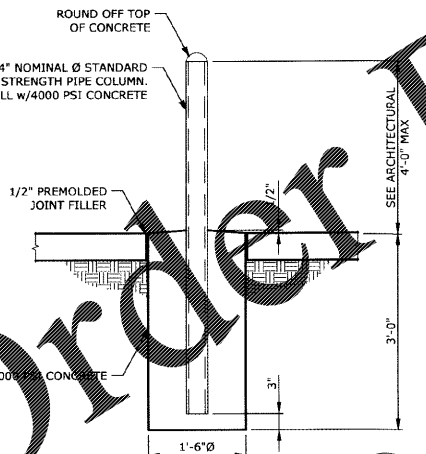


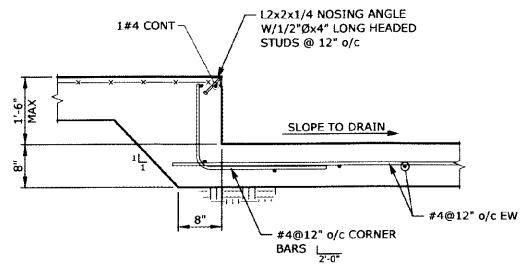
SECTION TYPICAL SLAB ON GRADE AT JOINTS
 SCALE: 3/4"=1'-0"
S3.1



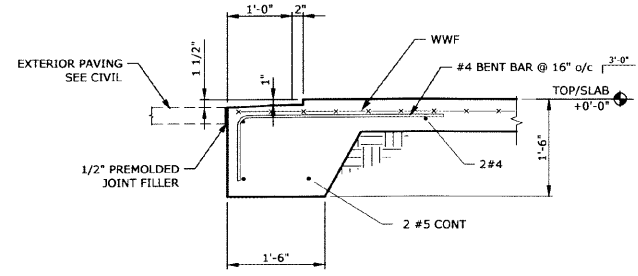
SECTION TYPICAL BOLLARD
 SCALE: 3/4"=1'-0"
S3.1



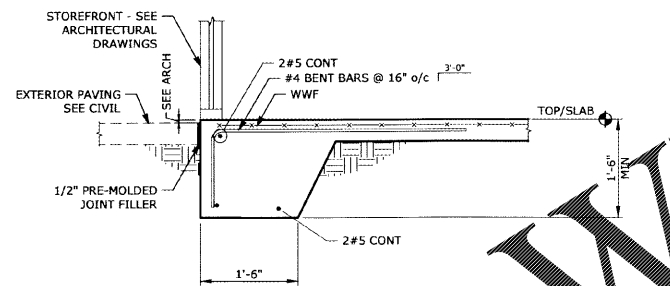
SECTION TYPICAL FUTURE ELEVATOR PIT
 SCALE: 3/4"=1'-0"
S3.1



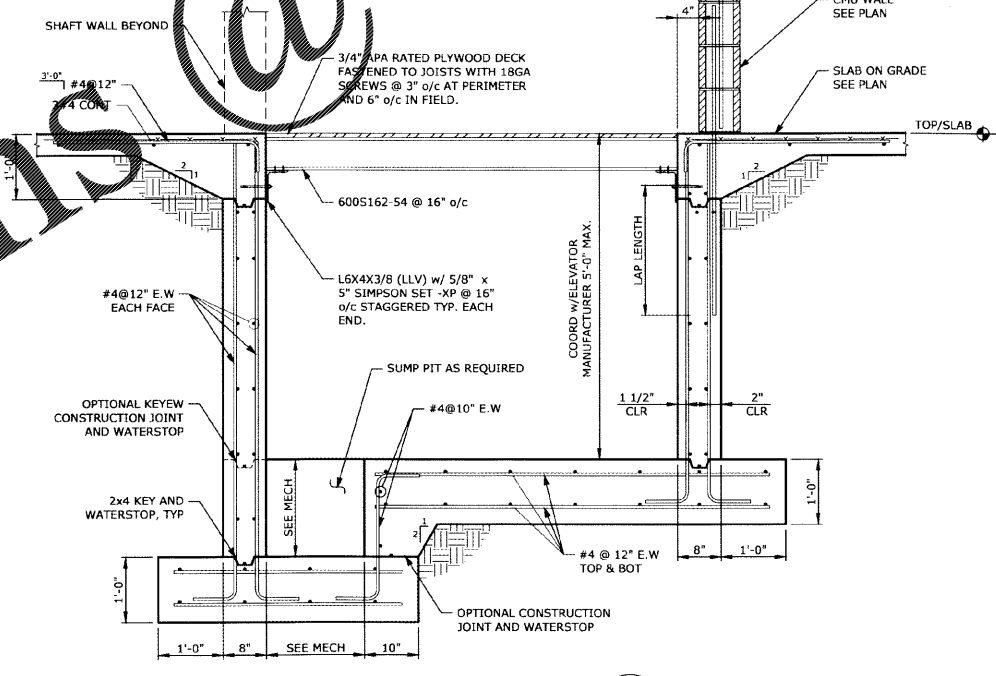
SECTION ALIGNMENT PIT
 SCALE: 3/4"=1'-0"
S3.1



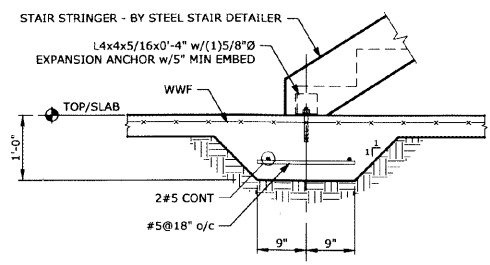
SECTION TURN-DOWN SLAB AT VEHICLE ENTRY
 SCALE: 3/4"=1'-0"
S3.1



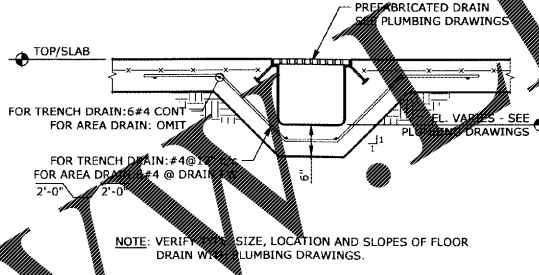
SECTION TYPICAL TURN-DOWN SLAB AT STOREFRONT
 SCALE: 3/4"=1'-0"
S3.1



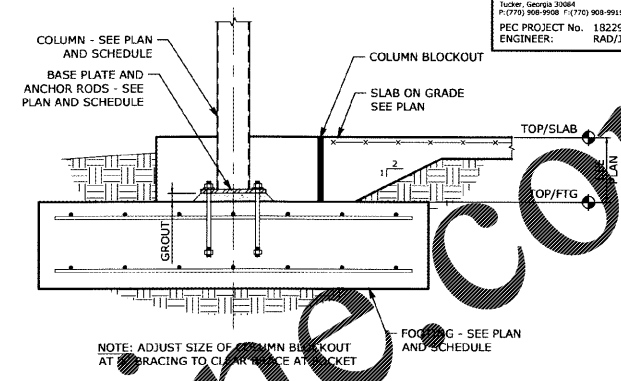
SECTION TYPICAL FUTURE ELEVATOR PIT
 SCALE: 3/4"=1'-0"
S3.1



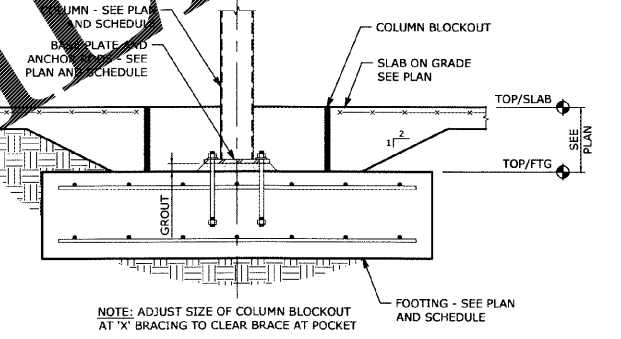
SECTION TYPICAL THICKENED SLAB AT STEEL STAIR LANDING
 SCALE: 3/4"=1'-0"
S3.1



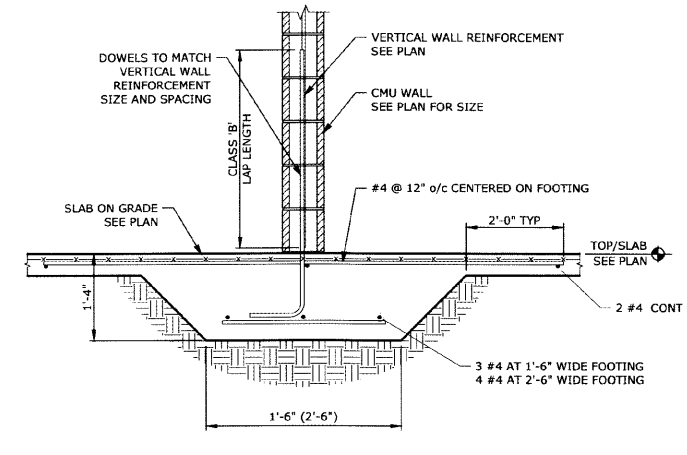
SECTION PREFABRICATED FLOOR DRAIN
 SCALE: 3/4"=1'-0"
S3.1



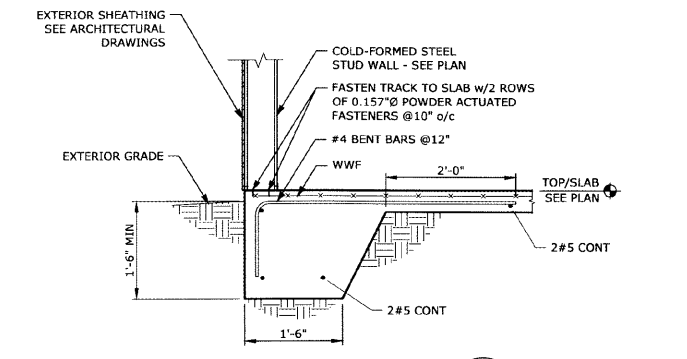
SECTION TYPICAL EXTERIOR STEEL COLUMN AND ISOLATED FOOTING
 SCALE: 3/4"=1'-0"
S3.1



SECTION TYPICAL INTERIOR STEEL COLUMN AND ISOLATED FOOTING
 SCALE: 3/4"=1'-0"
S3.1



SECTION TYPICAL INTERIOR 8" CMU WALL ON THICKENED SLAB
 SCALE: 3/4"=1'-0"
S3.1



SECTION TYPICAL EXTERIOR COLD-FORMED STEEL STUD WALL ON TURN-DOWN
 SCALE: 3/4"=1'-0"
S3.1

Order Plans @ WWW.DLINE.COM

REVISION DATE

ELLSWORTH ARCHITECTS
 3136 LANIER DRIVE
 ATLANTA, GEORGIA 30319
 PHONE: 404.949.9351



PRO BUILDING SYSTEMS
 DESIGN BUILD CONTRACTORS
 3678 North Peachtree Road
 Atlanta, Georgia 30341
 (770) 455-1791 / Fax 455-4123
 www.probuildingsystems.com

GINN CHRYSLER - DODGE - RAM AND JEEP
 1-20 ACCESS ROAD
 COVINGTON GEORGIA 30040

DATE: 11.06.2018
 SCALE: AS SHOWN
 BY: TTN
 JOB ID:

FOUNDATION SECTIONS AND DETAILS
 DRAWING TITLE