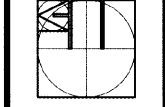


REVISION	DATE

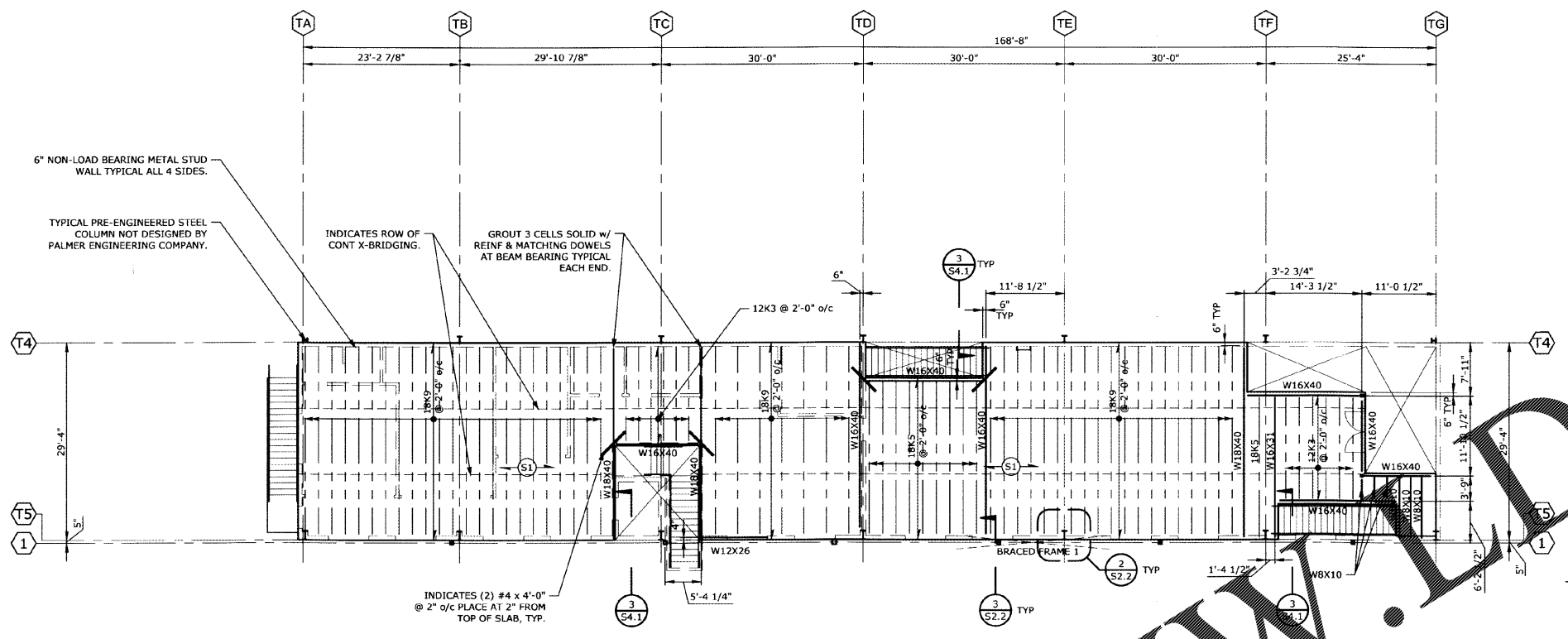
**ELLSWORTH ARCHITECTS**  
 3136 LANIER DRIVE  
 ATLANTA, GEORGIA 30319  
 PHONE: 404.949.9351



**PRO BUILDING SYSTEMS**  
 DESIGN BUILD CONTRACTORS  
 3678 North Peachtree Road  
 Atlanta, Georgia 30341  
 (770) 455-1751 / Fax 455-4123  
 www.probdgsystems.com

**GINN CHRYSLER - DODGE - RAM AND JEEP**  
 1-20 ACCESS ROAD  
 COVINGTON GEORGIA 30040

DATE: 11.06.2018  
 SCALE: AS SHOWN  
 BY: TTN  
 JOB ID:  
 MEZZANINE FRAMING PLAN  
 DRAWING TITLE



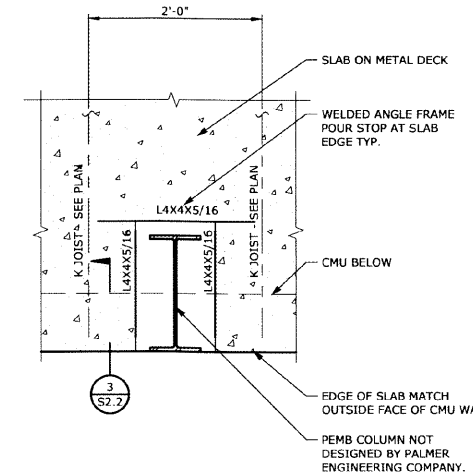
**MEZZANINE FRAMING PLAN 1**  
 SCALE: 3/4" = 1'-0"  
**S2.2**

**NOTES & LEGEND:**  
 1. SEE ARCHITECTURAL DRAWINGS FOR DIMENSIONS, ELEVATIONS, SLOPES, AND OTHER INFORMATION NOT SHOWN.  
 2. REFERENCE FINISHED FLOOR ELEVATION = +11'-8"  
 3. THE FLOOR FRAMING FOR THE ELEVATED PORTIONS OF THE PARTS DEPARTMENT HAS BEEN EVALUATED FOR VIBRATIONS PER 2016 ASCE DESIGN GUIDE 11 TITLED, "VIBRATION OF STEEL-FRAMED STRUCTURAL SYSTEMS DUE TO HUMAN ACTIVITY." AS DESIGNED, THE FLOOR VIBRATIONS ARE ANTICIPATED TO BE IN THE ACCEPTABLE RANGE FOR OFFICES AND RESIDENCES, QUIET AREAS.

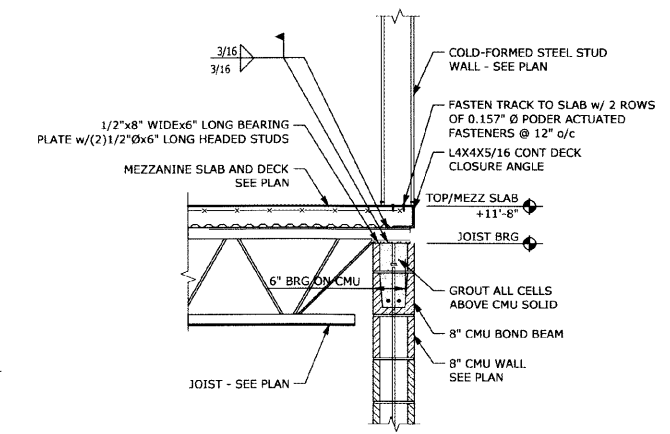
INDICATES MOMENT CONNECTION. SEE S5.1  
 INDICATES BRACED FRAME. SEE S5.1  
 INDICATES SPAN DIRECTION OF 1"-24GA GALVANIZED METAL FORM DECK w/ 3" NORMAL WEIGHT CONCRETE (4" TOTAL THICKNESS), REINFORCED w/ 4x4 W2.9xW2.9 WWF 1" BELOW TOP OF SLAB. FASTEN TO SUPPORTS w/ #12 TEK SCREWS IN 33/4 PATTERN w/ (2) #12 TEK SCREWS SIDELAP FASTENERS PER PLAN. DO NOT WELD DECK TO JOISTS.

TRUE NORTH  
 PLAN NORTH

- WALL SCHEDULE:**
- (W1) INDICATES NON-LOAD BEARING 8" CMU WALL (EXTERIOR) (F'M= 1500 PSI) w/#4@32" o/c VERTICAL REINFORCEMENT w/MATCHING DOWELS INTO FOOTING (GROUT CELLS SOLID AT REINFORCEMENT). PROVIDE #9GA HORIZONTAL REINFORCEMENT @16" o/c VERTICALLY. PROVIDE 3#4 IN GROUTED CELLS AND MATCHING DOWELS AT WALL CORNERS AND INTERSECTIONS. PROVIDE 8" U-BLOCK BOND BEAM w/2#5 CONT IN GROUTED CELLS AT TOP OF WALL, AND 8'-0" o/c MAX IN BETWEEN.
  - (W2) INDICATES NON-LOAD BEARING 8" CMU WALL (INTERIOR) (F'M= 1500 PSI) w/#4@40" o/c VERTICAL REINFORCEMENT w/MATCHING DOWELS INTO FOOTING (GROUT CELLS SOLID AT REINFORCEMENT). PROVIDE #9GA HORIZONTAL REINFORCEMENT @32" o/c VERTICALLY. PROVIDE 3#4 IN GROUTED CELLS AND MATCHING DOWELS AT WALL CORNERS AND INTERSECTIONS. PROVIDE 8" U-BLOCK BOND BEAM w/2#4 CONT IN GROUTED CELLS AT TOP OF WALL, AND 8'-0" o/c MAX IN BETWEEN.
  - (W3) INDICATES LOAD BEARING 8" CMU (INTERIOR SHORT WALL) (F'M= 1500 PSI) w/#4@24" o/c VERTICAL REINFORCEMENT w/MATCHING DOWELS INTO FOOTING (GROUT CELLS SOLID AT REINFORCEMENT). PROVIDE #9GA HORIZONTAL REINFORCEMENT @16" o/c VERTICALLY. PROVIDE 5#4 IN GROUTED CELLS AND MATCHING DOWELS AT WALL CORNERS AND INTERSECTIONS. PROVIDE 8" U-BLOCK BOND BEAM w/2#4 CONT IN GROUTED CELLS AT TOP OF WALL, AND 8'-0" o/c MAX IN BETWEEN.
  - (W4) INDICATES LOAD BEARING 8" CMU (INTERIOR TALL WALL) (F'M= 1500 PSI) w/#5@32" o/c VERTICAL REINFORCEMENT w/MATCHING DOWELS INTO FOOTING (GROUT CELLS SOLID AT REINFORCEMENT). PROVIDE #9GA HORIZONTAL REINFORCEMENT @16" o/c VERTICALLY. PROVIDE 5#4 IN GROUTED CELLS AND MATCHING DOWELS AT WALL CORNERS AND INTERSECTIONS. PROVIDE 8" U-BLOCK BOND BEAM w/2#5 CONT IN GROUTED CELLS AT TOP OF WALL, AND 8'-0" o/c MAX IN BETWEEN.
  - (W5) INDICATES LOAD BEARING 8" CMU WALL (INTERIOR UNDERSIDE OF MEZZANINE) (F'M= 1500 PSI) w/#5@32" o/c VERTICAL REINFORCEMENT w/MATCHING DOWELS INTO FOOTING (GROUT CELLS SOLID AT REINFORCEMENT). PROVIDE #9GA HORIZONTAL REINFORCEMENT @16" o/c VERTICALLY. PROVIDE 3#4 IN GROUTED CELLS AND MATCHING DOWELS AT WALL CORNERS AND INTERSECTIONS. PROVIDE 8" U-BLOCK BOND BEAM w/2#5 CONT IN GROUTED CELLS AT TOP OF WALL, AND 8'-0" o/c MAX IN BETWEEN.
  - (W6) INDICATES NON-LOAD BEARING 8" CMU (EXTERIOR UNDERSIDE OF MEZZANINE) (F'M= 1500 PSI) ABOVE OPENINGS w/#4@16" o/c VERTICAL REINFORCEMENT w/MATCHING DOWELS INTO FOOTING (GROUT CELLS SOLID AT REINFORCEMENT). PROVIDE #9GA HORIZONTAL REINFORCEMENT @16" o/c VERTICALLY. PROVIDE 5#5 IN GROUTED CELLS AND MATCHING DOWELS AT WALL CORNERS AND INTERSECTIONS. PROVIDE 8" U-BLOCK BOND BEAM w/2#5 CONT IN GROUTED CELLS AT TOP OF WALL, AND 8'-0" o/c MAX IN BETWEEN. SEE MASONRY PIER SCHEDULE ON SHEET S2.1 FOR INFORMATION BELOW OPENINGS.
  - (W7) INDICATES TYPICAL EXTERIOR 600S162-43 METAL STUD WALLS @16" o/c W/CONT HORIZONTAL BRIDGING @48" o/c. CONT 800T150-43 TRACKS AT TOP AND BOTTOM.
  - (W8) INDICATES TYPICAL EXTERIOR 600S162-43 METAL STUD WALLS @16" o/c W/CONT HORIZONTAL BRIDGING @48" o/c. CONT 600T150-43 TRACKS AT TOP AND BOTTOM.



**PLAN AT PEMB COLUMN 2**  
 SCALE: 1" = 1'-0"  
**S2.2**



**SECTION AT MEZZANINE SLAB 3**  
 SCALE: 3/4" = 1'-0"  
**S2.2**

Online Plans @ WWW.ArchLine.com