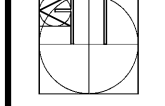




REVISION	DATE
1	02.22.2019
GENERAL REVISIONS	

ELLSWORTH ARCHITECTS
 3136 LANIER DRIVE
 ATLANTA, GEORGIA 30319
 PHONE: 404.949.9351

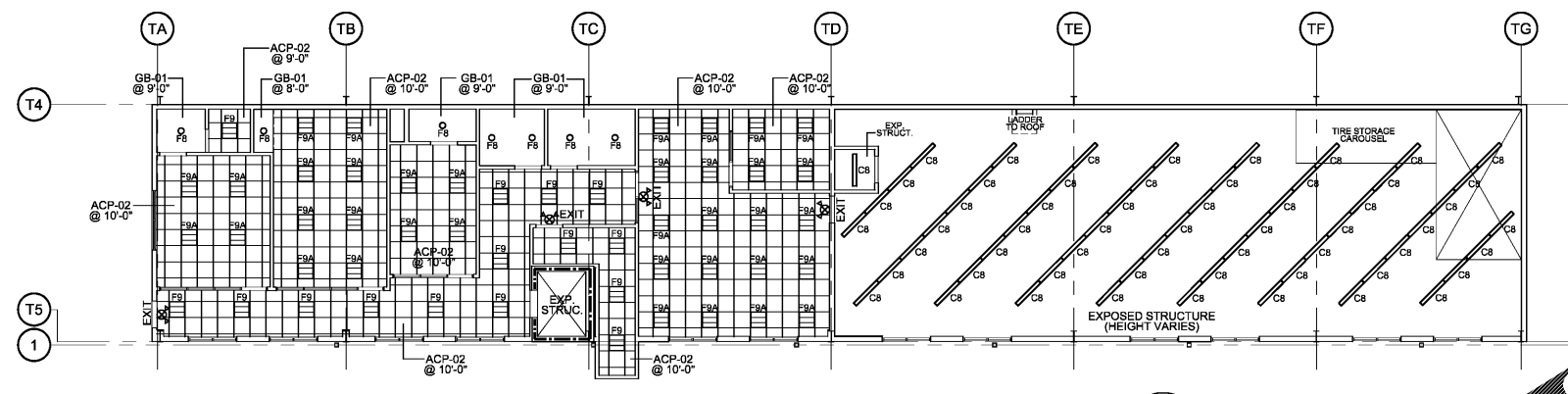


PRO BUILDING SYSTEMS
 DESIGN BUILD CONTRACTORS
 3878 North Peachtree Road
 Atlanta, Georgia 30341
 (770) 455-1781 / Fax 455-4123
 www.probuildingsystems.com

GINN CHRYSLER - DODGE - RAM AND JEEP
 1-20 ACCESS ROAD
 COVINGTON GEORGIA 30040

DATE: 09.26.2018
 SCALE: 3/32"=1'-0"
 BY: RJE
 JOB ID: 18YGIN001

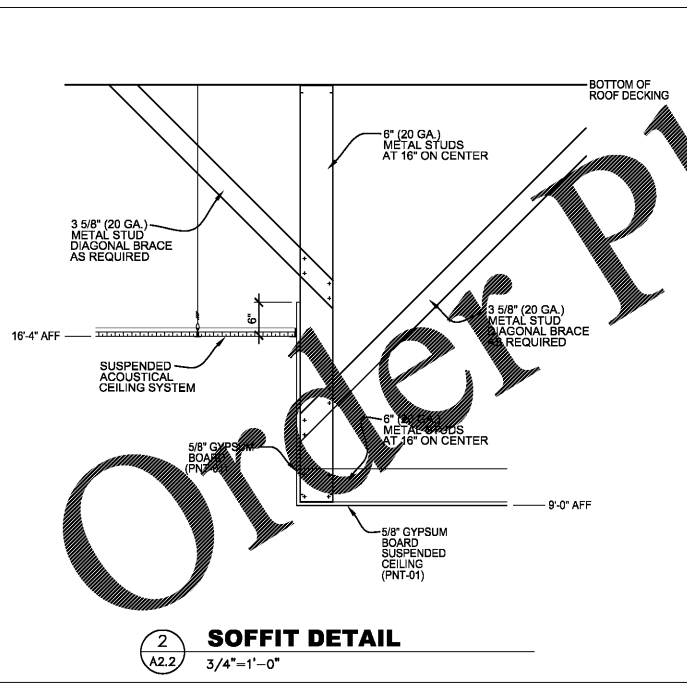
PROPOSED SECOND FLOOR REFLECTED CEILING PLAN
 DRAWING TITLE



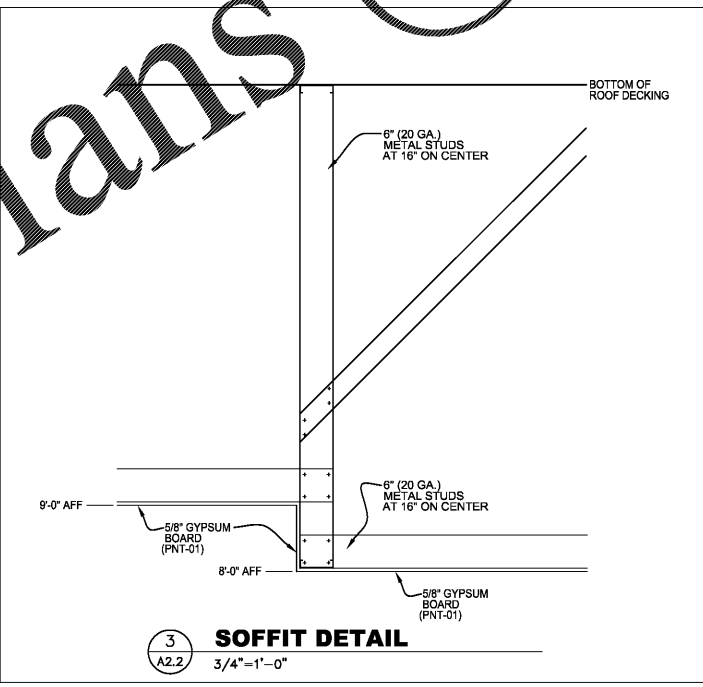
1 PROPOSED SECOND FLOOR REF. CEILING PLAN
 3/32"=1'-0"
 SECOND FLOOR BUILDING AREA: 4986 S.F.
 NOTE: THIS BUILDING IS EQUIPPED WITH AN AUTOMATIC SPRINKLER SYSTEM.

SYMBOL	LABEL	TYPE	MANUFACTURER	CATALOG NUMBER	LAMP	WATTS
	C1	RECESSED LED ARCHITECTURAL 2x4 TROFFER	GE LIGHTING SOLUTIONS	LVT248x60MM840	NICHIA 757	47
	C1A	RECESSED LED ARCHITECTURAL 2x4 TROFFER	GE LIGHTING SOLUTIONS	LVT248x30MM840	NICHIA 757	54.5
	C2	RECESSED LED DOWNLIGHT 6" DIAMETER - ROUND	GE LIGHTING SOLUTIONS	REFLECTOR: RD16RWSDDXX FIXTURE: D16R15XXXXXXX	INFUSION DLM 1500 LUMENS	25
	C4	LINEAR LED SUSPENDED	GE LIGHTING SOLUTIONS	ALC50xH48D8	NICHIA 757	75
	C4A	LINEAR LED SUSPENDED	GE LIGHTING SOLUTIONS	ALC50xH48D4	NICHIA 757	38
	C5	LED COVE LUMINAIRE	GE LIGHTING SOLUTIONS	LAL448007MMT40	NICHIA 757	26
	C8	LED STRIP LUMINAIRE	GE LIGHTING SOLUTIONS	ALV10xHx7D4	NICHIA 757	38
	C9	SUSPENDED LED HIGH BAY	GE LIGHTING SOLUTIONS	ABV3412A471D 120-27V		68
	C9A	LINEAR LED SUSPENDED	GE LIGHTING SOLUTIONS	ALV10xHx7D8	NICHIA 757	38
	C22	RECESSED LED DOWNLIGHT 6" DIAMETER - ROUND	GE LIGHTING SOLUTIONS	REFLECTOR: RD16RWSDDXX FIXTURE: D16R20XXXXXXX	INFUSION DLM 2000 LUMENS	32

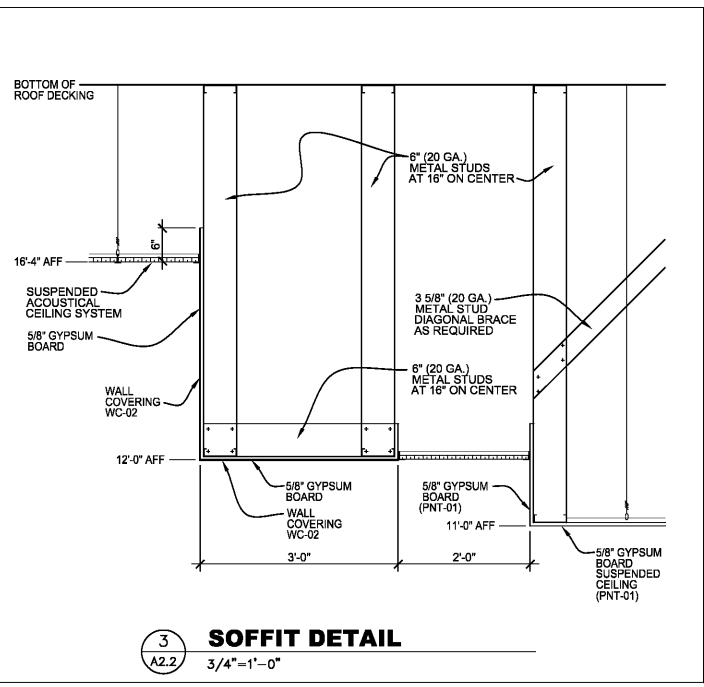
SYMBOL	LABEL	TYPE	MANUFACTURER	CATALOG NUMBER	LAMP	WATTS
	F1	SUSPENDED LED LUMINAIRE	GE LIGHTING SOLUTIONS	LAL28A00W840	NICHIA 757	111
	F3	RECESSED 4" SQUARE LED DOWNLIGHT	GE LIGHTING SOLUTIONS	REFLECTOR: RD16RWSDDXX FIXTURE: D16R15XXXXXXX	INFUSION DLM 1500 LUMENS	25
	F3A	RECESSED 4" ROUND LED DOWNLIGHT	GE LIGHTING SOLUTIONS	REFLECTOR: RD14RWSDDXX FIXTURE: D14R15XXXXXXX	INFUSION DLM 1000 LUMENS	18
	F4	PENDANT DIRECT / INDIRECT LIGHT FIXTURE	BARBICAN ARCHITECTURAL PRODUCTS LTD.	16-77-60D-24H-LED 180W GEAR DRUM FABRIC COLOR #901 SMOKE	LED 0.428W WHITE 3030 PACKAGE (150MA)	95
	F5	SUSPENDED LED LUMINAIRE	GE LIGHTING SOLUTIONS	LAL26A000M5T40	NICHIA 757	29
	F6	LINEAR RECESSED LUMINAIRE CONTINUOUS	GE LIGHTING SOLUTIONS	LAL448007MMT40	NICHIA 757	26
	F7	RECESSED 4" SQUARE LED WALL WASH	GE LIGHTING SOLUTIONS	D14S20XXX RD14SWSDDXX	INFUSION DLM 1500 LUMENS	25
	F8	RECESSED 6" ROUND LED DOWNLIGHT	GE LIGHTING SOLUTIONS	REFLECTOR: RD16RWSDDXX FIXTURE: D16R15XXXXXXX	INFUSION DLM 1500 LUMENS	25
	F9A	RECESSED 6" ROUND LED DOWNLIGHT	GE LIGHTING SOLUTIONS	REFLECTOR: RD16RWSDDXX FIXTURE: D16R30XXXXXXX	INFUSION DLM 3000 LUMENS	43
	F9	RECESSED LED ARCHITECTURAL 2x2 TROFFER	GE LIGHTING SOLUTIONS	LVT228x20MM840	HP	15.5
	F9A	RECESSED LED ARCHITECTURAL 2x2 TROFFER	GE LIGHTING SOLUTIONS	LVT228x33MM840	HP	25.5



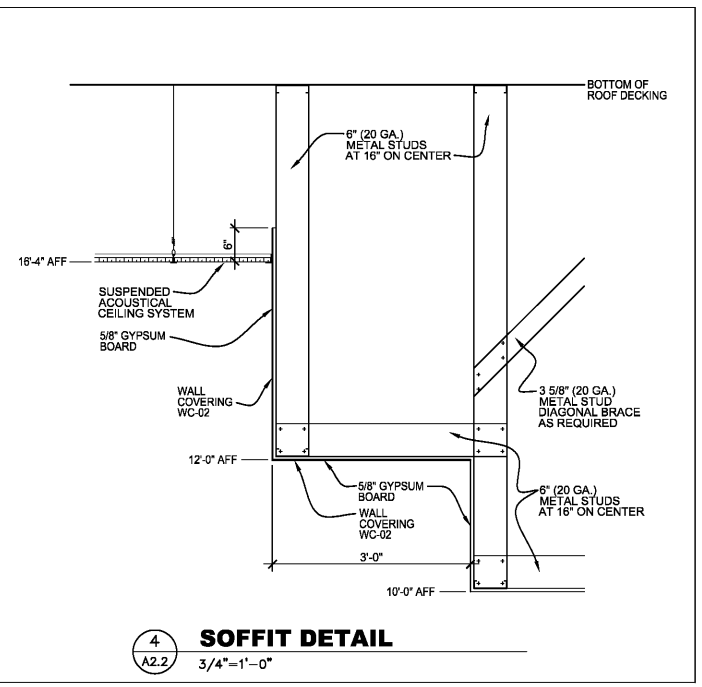
2 SOFFIT DETAIL
 3/4"=1'-0"



3 SOFFIT DETAIL
 3/4"=1'-0"



3 SOFFIT DETAIL
 3/4"=1'-0"



4 SOFFIT DETAIL
 3/4"=1'-0"