

LIGHTING LUMINAIRE SCHEDULE

MOUNTING (MTG) KEY: RE - RECESSED SP - SUSPENDED CL - CEILING SURFACE WL - WALL UC - UNDER CABINET CV - COVE PL - POLE O - OTHER (SEE REMARKS) DOOR KEY: FA - FLAT ALUMINUM FS - FLAT STEEL RA - REGRESSED ALUMINUM RS - REGRESSED STEEL	LAMP TYPE KEY: FL - FLUORESCENT CF - COMPACT FLUORESCENT IN - INCANDESCENT LED - LIGHT EMITTING DIODE HS - HIGH PRESSURE SODIUM MH - METAL HALIDE MV - MERCURY VAPOR LV - LOW VOLTAGE O - OTHER (SEE REMARKS) BALLAST (BLS) KEY: EB - ELECTRONIC EM - EMERGENCY BATTERY OD - OUTDOOR RATED BALLAST EN - ENERGY SAVING	LENS/COVER (L/L) KEY: A - 125° ACRYLIC B - BLACK MILD GROOVE C - CLEAR ALZAK D - PARABOLIC E - ... F - FRESNEL G - TEMPERED GLASS H - WALL WASHER K - KSP12 125° ACRYLIC K19 - KSH19 156° ACRYLIC L - LOW RIDESCENT SPECULAR ALUMINUM M - ... N - NONE O - OTHER (SEE REMARKS)
---	---	---

- NOTES:**
- CATALOG NUMBERS SHALL NOT BE CONSIDERED COMPLETE AND MATERIAL SHALL NOT BE ORDERED BY MANUFACTURER AND CATALOG NUMBER ONLY. FIRST READ THE COMPLETE DESCRIPTION, NOTES, AND REMARKS AND THE SPECIFICATIONS IN COORDINATION WITH CATALOG NUMBER TO DETERMINE THE EXACT MATERIAL AND ACCESSORIES TO BE ORDERED. THE MANUFACTURER LISTED IS THE BASIS OF DESIGN.
 - ALL LAMPS FOR THIS PROJECT SHALL BE FURNISHED BY MANUFACTURER WITH FIXTURES AND INSTALLED BY THE ELECTRICAL CONTRACTOR UNLESS OTHERWISE NOTED.
 - FOR NATIONAL ACCOUNTS PRICING CONTACT MIKE KREINER @ CREE LIGHTING MIKE.KREINER@CREE.COM PHONE: 262-504-5037
 - NORDEON LIGHTING SYSTEM SHALL BE OWNER FURNISHED AND CONTRACTOR INSTALLED. CONTRACTOR SHALL HAVE 5 DAYS FROM DATE OF DELIVERY ACCEPTANCE TO VERIFY SHIPMENT FOR ANY DAMAGES, CORRECT QUANTITY OF FIXTURES, AND PLACE CLAIM. AFTER 5 DAYS CONTRACTOR SHALL BE RESPONSIBLE FOR ANY DAMAGES AND ADDITIONAL FIXTURES REQUIRED TO ACHIEVE LAYOUT SHOWN.
 - FOR NATIONAL ACCOUNTS PRICING CONTACT KEN BLUDER @ FACILITY SOLUTIONS GROUP KEN.BLUDER@FSG.COM PHONE: 630-773-8100
 - LUMINAIRES ARE TYPICAL FOR ALDI STORES. FIXTURES SHOWN LIGHT LINE WEIGHT NOT USED ON THIS PROJECT. REFER TO LIGHTING PLAN FOR QUANTITIES OF LUMINAIRES USED. FIXTURES SHALL BE ORDERED BY MODEL NUMBER AND MANUFACTURER NOT BY ID NUMBER. VERIFY SITE LIGHTING FIXTURE TYPES AND LOCATIONS WITH FINAL SITE PLANS.
 - FIXTURE AND POLE SPECIFICATION SHALL BE VERIFIED WITH FINAL SITE PLANS AND ENGINEER FOR LOCAL REQUIREMENTS. ALDI REPRESENTATIVE SHALL APPROVE POLE HEIGHTS.

FXLT. NO.	DESCRIPTION	FXLT. SIZE	MTG.	LAMPS		VOLTS/ BLS TYPE	L/L	MANUFACTURER	REMARKS
				TYPE	QUANTITY & SIZE				
L1	8' SURFACE STRIP LIGHT	2.5'W x 8'L	O	LED	88W, 8000L, 35K	120	O	CREE: LS8-80L-35K-10V LS9003-LS9001	BACKROOM. REFER TO STRIP FIXTURE MOUNTING NOTES. REFER TO NOTE #3
L1E	8' SURFACE STRIP LIGHT W/ EMERGENCY BACKUP MINIMUM OF 90 MIN OPERATION	2.5'W x 8'L	O	LED	88W, 8000L, 35K	120	O	CREE: LS8-80L-35K-10V-EB14 LS9003-LS9001	FACTORY INSTALLED 1400 LUMEN EMERGENCY POWER PACK. VERIFY (EM) FIXTURE PLACEMENT WITH DRAWING E-101 PRIOR TO INSTALLATION. REFER TO NOTE #3
L2	4' SURFACE STRIP LIGHT	2.5'W x 4'L	O	LED	44W, 4000L, 35K	120	O	CREE: LS4-40L-35K-10V	SAME MOUNTING AS TYPE L1 REFER TO NOTE #3
L2E	4' SURFACE STRIP LIGHT W/ EMERGENCY BACKUP MINIMUM OF 90 MIN OPERATION	2.5'W x 4'L	O	LED	44W, 4000L, 35K	120	O	CREE: LS4-40L-35K-10V-EB14	FACTORY INSTALLED 1400 LUMEN EMERGENCY POWER PACK. VERIFY (EM) FIXTURE PLACEMENT WITH DRAWING E-101 PRIOR TO INSTALLATION. REFER TO NOTE #3
L3	DO NOT USE								
L4	TROFFER	2'-0" x 4'-0"	RE	LED	44W, 4000L, 35K	120	O	CREE: ZR24-40L-35K-10V	REFER TO NOTE #3
L4E	TROFFER W/ EMERGENCY BACKUP MINIMUM OF 90 MIN OPERATION	2'-0" x 4'-0"	RE	LED	44W, 4000L, 35K	120	O	CREE: ZR24-40L-35K-10V-EB14	FACTORY INSTALLED 1400 LUMEN EMERGENCY POWER PACK. VERIFY (EM) FIXTURE PLACEMENT WITH DRAWING E-101 PRIOR TO INSTALLATION. REFER TO NOTE #3
L5	DO NOT USE								
L6	VAPOR TIGHT FIXTURE	6' NOM.	O	LED	9.5W, 800L, 27K	120	O	CREE: EMT4A101G/A19-60W-27K	ENCLOSED AND GASKETED GLASS GLOBE. METAL GUARD, WALL MOUNTED REFER TO DRAWING E-101
L7	DOCK LIGHT		WL	LED	23W, 2650L, 40K	120	O	CREE: E-WTD02A-1740T-42	REFLECTOR ARM 40° REFLECTOR CONNECTION. INTERIOR SWITCH REFER TO NOTE #3
L8	DO NOT USE								
L9	DO NOT USE								
L10	WEI LOCATION LINEAR	31.8" L, 6.8" W, 4.3" H	O	LED	43W, 4100L, 35K	120	O	CREE: WSD-318-43W-35K-8U	MIN FIXTURES OVER TO REFRIGERATION UNITS ON GC INSTALLED HAT CHANNELS W/ FIXTURE FURNISHED MOUNTING CLIPS PROVIDE ONE CL-1328WH POWER FEED SWITCH BOX AND INSTALL IN CENTER OF CONTINUOUS ROW. LIGHTING ROW LENGTH FROM SWITCH BOX NOT TO EXCEED 36'-0". REFER TO NOTE #3
L11	2' LOW PROFILE LINEAR COVE LUMINAIRE	24.3" L, 1.1" W, 1.0" H	O	LED	15.5W, 1000L	120	O	CREE: CL-138-512-WH-3	MOUNT FIXTURES ABOVE MULTIDECK UNITS ON GC INSTALLED HAT CHANNELS W/ FIXTURE FURNISHED MOUNTING CLIPS PROVIDE ONE CL-1328WH POWER FEED SWITCH BOX AND INSTALL IN CENTER OF CONTINUOUS ROW. LIGHTING ROW LENGTH FROM SWITCH BOX NOT TO EXCEED 36'-0". REFER TO NOTE #3
L12	DO NOT USE								
L13	4' RECESSED CAN		RE	LED	26W, 1730L, 35K	120	O	CREE LIGHTING: N14-RD-X1M19-20LW-35K-83 S60-22-DIM10-NC-MC-BK	VERIFY TRIM AND BEZEL COLOR OPTIONS WITH ALDI REP. AND LTG. SUPPLIER PRIOR TO ORDER RELEASE
L13E	4' RECESSED CAN W/EMERGENCY		RE	LED	26W, 1730L, 35K	120	O	NORDEON: N14-RD-X1M19-20LW-35K-83 S60-120-DIM10-NC-MC-BK-EM12	REFER TO NOTE #3
N1	LINEAR STRIP LIGHT 3.7' BATHING HIGH OUTPUT	2.5'W, 44.25" L	LED	LED	54W, 6000L, 35K	120	O	NORDEON: BL6-3500K-UNV-DA20-3.7-8L-DIM	MOUNTS INTO WIRE TRUNK. REFER TO WIRE TRUNK MOUNTING NOTES REFER TO NOTE #4
N2	LINEAR STRIP LIGHT 5.5' BATHING HIGH OUTPUT	2.5'W, 66.4" L	LED	LED	72W, 9000L, 35K	120	O	NORDEON: BL9-3500K-UNV-DA20-5.5-8L-DIM	SAME MOUNTING AS N1. FACTORY INSTALLED 600 LUMEN EMERGENCY POWER PACK. VERIFY (EM) FIXTURE PLACEMENT WITH DRAWING E-101 PRIOR TO INSTALLATION. REFER TO NOTE #4
N3	LINEAR STRIP LIGHT 3.7' DIFFUSED HIGH OUTPUT	2.5'W, 44.25" L	LED	LED	34W, 4000L, 35K	120	O	NORDEON: BL4-3500K-UNV-DP2-3.7-8L-DIM	SAME MOUNTING AS N1. REFER TO NOTE #4
N4	LINEAR STRIP LIGHT 5.5' DIFFUSED HIGH OUTPUT	2.5'W, 66.4" L	LED	LED	54W, 6000L, 35K	120	O	NORDEON: BL6-3500K-UNV-DP2-5.5-8L-DIM	SAME MOUNTING AS N1. REFER TO NOTE #4
N4E	LINEAR STRIP LIGHT 5.5' BATHING HIGH OUTPUT W/ EMERGENCY BACKUP MINIMUM OF 90 MIN OPERATION	2.5'W, 66.4" L	LED	LED	72W, 9000L, 35K	120	O	NORDEON: BL9-3500K-UNV-DP2-5.5-8L-DIM	SAME MOUNTING AS N1. FACTORY INSTALLED 600 LUMEN EMERGENCY POWER PACK. VERIFY (EM) FIXTURE PLACEMENT WITH DRAWING E-101 PRIOR TO INSTALLATION. REFER TO NOTE #4
N4L	LINEAR STRIP LIGHT 3.7' DIFFUSED HIGH OUTPUT	2.5'W, 44.25" L	LED	LED	54W, 6000L, 35K	120	O	NORDEON: BL6-3500K-UNV-DP2-3.7-8L-DIM	SAME MOUNTING AS N1. REFER TO NOTE #4
N4LE	LINEAR STRIP LIGHT 5.5' DIFFUSED HIGH OUTPUT W/ EMERGENCY BACKUP MINIMUM OF 90 MIN OPERATION	2.5'W, 66.4" L	LED	LED	54W, 6000L, 35K	120	O	NORDEON: BL6E-3500K-UNV-DP2-5.5-8L-DIM	SAME MOUNTING AS N1. FACTORY INSTALLED 600 LUMEN EMERGENCY POWER PACK. VERIFY (EM) FIXTURE PLACEMENT WITH DRAWING E-101 PRIOR TO INSTALLATION. REFER TO NOTE #4
N5	LINEAR STRIP LIGHT 3.7' WALLWASH	2.5'W, 44.25" L	LED	LED	34W, 4000L, 35K	120	O	NORDEON: BL4-3500K-UNV-WW-3.7-8L-DIM	SAME MOUNTING AS N1. REFER TO NOTE #4
N5x	LINEAR STRIP LIGHT 5.5' WALLWASH	2.5'W, 66.4" L	LED	LED	54W, 6000L, 35K	120	O	NORDEON: BL6-3500K-UNV-WW-5.5-8L-DIM	SAME MOUNTING AS N1. REFER TO NOTE #4
N6	LINEAR STRIP LIGHT 5.5' WALLWASH HIGH OUTPUT	2.5'W, 66.4" L	LED	LED	72W, 9000L, 35K	120	O	NORDEON: BL9-3500K-UNV-WW-5.5-8L-DIM	SAME MOUNTING AS N1. REFER TO NOTE #4
N7	1.10' SINGLE SPOT MODULE W/ DIFFUSER	2.5'W, 7.2" L	LED	LED	28W, 3000L, 35K	120	O	NORDEON: SK-E-128W-935-WB-8L-DIM	SAME MOUNTING AS N1. REFER TO NOTE #4
N7D	1.10' SINGLE SPOT MODULE W/ DIFFUSER	2.5'W, 7.2" L	LED	LED	28W, 3000L, 35K	120	O	NORDEON: SK-E-128W-935-WB-8L-D-DIM	SAME MOUNTING AS N1. REFER TO NOTE #4
N8	1.10' DOUBLE SPOT MODULE W/ DIFFUSER	2.5'W, 7.2" L	LED	LED	45W, 2X 3000L, 35K	120	O	NORDEON: SK-E-245W-935-WB-8L-DIM	SAME MOUNTING AS N1. REFER TO NOTE #4
N8D	1.10' DOUBLE SPOT MODULE W/ DIFFUSER	2.5'W, 7.2" L	LED	LED	45W, 2X 3000L, 35K	120	O	NORDEON: SK-E-245W-935-WB-8L-D-DIM	SAME MOUNTING AS N1. REFER TO NOTE #4

FXLT. NO.	DESCRIPTION	FXLT. SIZE	MTG.	LAMPS		VOLTS/ BLS TYPE	L/L	MANUFACTURER	REMARKS
				TYPE	QUANTITY & SIZE				
EX-1	UNIVERSAL EXIT - (WALL MTD) STENCIL FACE WITH RED LETTERS	N/A	WL	LED	3.8W	120	N	CREE: BL-P000102	BACK MOUNTION WALL BATTERY AND CHARGER FOR 90 MIN. OPERATION. REFER TO NOTE #3
EX-2	UNIVERSAL EXIT - (CEILING MTD) STENCIL FACE WITH RED LETTERS	N/A	SP/CL	LED	3.8W	120	N	CREE: BL-P000102	CEILING MOUNT. BATTERY AND CHARGER FOR 90 MIN. OPERATION. REFER TO NOTE #3
EX-X	EXTERIOR EMERGENCY UNIT - SELF CONTAINED BATTERY AND CHARGER FOR 90 MIN. OPERATION	10.5" H, 6.5" W, 3.75" D.	WL	O		120	N	CREE: EMDECC	PAINTED PLATINUM SILVER SEE ARCHITECTURAL ELEVATIONS FOR MOUNTING HEIGHT REFER TO NOTE #3
L21	EXTERIOR WALL PACK	3.6" H, 9.3" W	WL	LED	10.25" W, 30K	120-277V	O	CREE: XSPW-8-WM-3ME-4L-30K-UL-CS-P	PAINT PLATINUM SILVER FROM FACTORY - INTEGRAL PHOTOCELL - U-L LISTED WEI LOCATIONS SEE ARCHITECTURAL ELEVATIONS FOR MOUNTING HEIGHT REFER TO NOTE #3
L22	CANOPY LIGHT SQUARE	15" SQ X 2" H	RE	LED	4" W, 30K	120-277V	O	CREE: CPY250-A-DM-F-C-UL-CS-30K	WEI LOCATION RATING. PAINT PLATINUM SILVER FROM FACTORY. REFER TO NOTE #3
L23	MOUNT VERNON CONNECTION EXTERIOR WALL SCENE	19.5" H, 10.25" W, 9.5" D.	WL	LED	60W, 30K	120	OD(1)	KICHLER: 970902LED	OLD BRONZE FINISH WITH CLEAR SEEDED DIFFUSER PANEL. WEI LOCATION RATING. REFER TO NOTE #3
L24	EXTERIOR ACCENT CYLINDER	18" H, 9" D, 6" W.	WL	LED	29W, 30K	120	OD(1)	CREE: CL-2034LED-SAT-CLR-SB	PROVIDE FIXTURE WITH UP-DOWN LIGHT AND TOP COVER LENS FOR WEI LOCATION LISTING - SEE ARCHITECTURAL ELEVATIONS FOR MOUNTING HEIGHT REFER TO NOTE #3
L25	EXTERIOR ACCENT WALLWASH	48" L, 3" W.	O	LED	44W, 40K	120	G	TRAXON: XB.N3.639613	ELECTRICAL CONTRACTOR FURNISHED AND INSTALLED. PROVIDE WITH WALL MOUNTED ARM. CONNECTION CABLES AND JOINTS. ENSURE INSTALLATION MEETS WEATHERPROOF INSTALLATION REQUIREMENTS FROM THE MANUFACTURER. REFER TO NOTE #3
L26	48" LINEAR WALL GRAZE	48" L, 3" H, 1.7" W.	WL	LED	44W, 30K	120	OD(1)	TRAXON: ALD.NA3.B374130	SEE ARCHITECTURAL ELEVATIONS FOR MOUNTING HEIGHT
L31	1 HEAD PARKING LOT LIGHT FIXTURE	25" L, 19" W, 4.8" H.	PL	LED	1 - 112W, 57K	MT OD	G	CREE: [1] OSQ-A-NM-4ME-A-57K-UL-CS OSQ-DA-CS	COORDINATE REPLACEMENT OF EXISTING SITE POLE HEADS IN WITH NATIONAL ACCOUNT PROVIDER AND ALDI REP. REFER TO NOTE #3 REFER TO NOTE #5

STRIP FIXTURE MOUNTING NOTES (BACK ROOM):
 ALL FIXTURES SHALL BE POSITIONED PER THE DIMENSIONS ON DRAWING A-111.

BACK ROOM:
 MOUNT FIXTURES PERPENDICULAR TO ROOF JOISTS WITH SUPPLIED AIRCRAFT CABLE KITS ATTACHED TO BOTTOM OF JOISTS AT 12'-0" AFF

MOUNT FIXTURES PARALLEL TO ROOF JOISTS WITH UNISTRUT ATTACHED AND SECURED TO TOP OF THE BOTTOM CHORD OF JOIST WITH SUPPLIED AIRCRAFT CABLE KITS ATTACHED TO UNISTRUT AT 12'-0" AFF

WIRE TRUNK MOUNTING NOTES (SALES FLOOR - RETRO FIT):
 ALL FIXTURES SHALL BE POSITIONED PER THE DIMENSIONS ON DRAWING A-111.

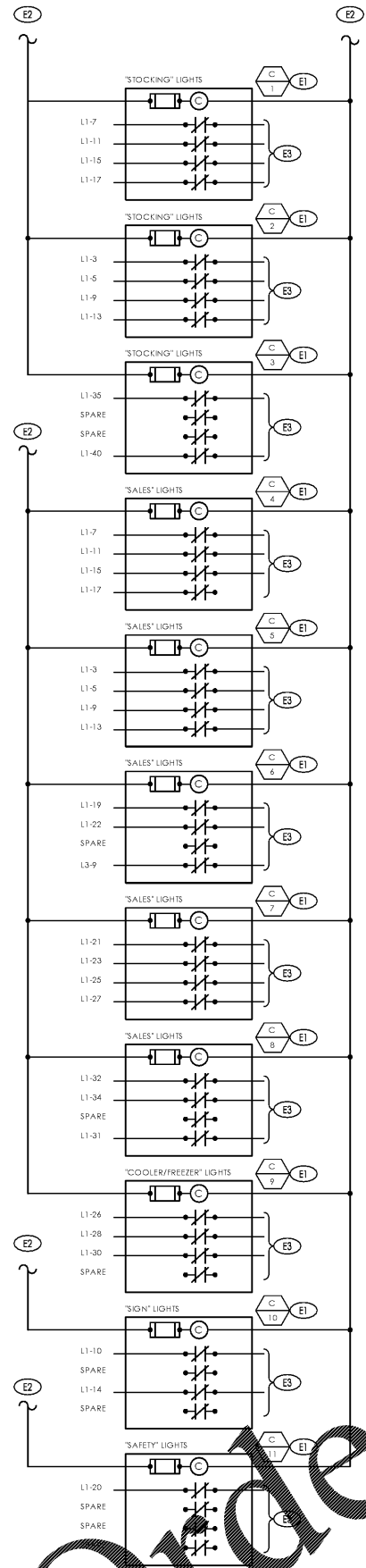
BUILDINGS WITH HIGH ROOF STRUCTURES FIXTURE RUNS SHALL BE MOUNTED AT A CONSISTENT HEIGHT THROUGHOUT THE SALES FLOOR WITH A MOUNTING HEIGHT OF 13'-4" A.F.F.

FOR ROOF STRUCTURES WITH THE LOW POINT LESS THAN 14'-0" IDENTIFY THE LOWEST POINT OF THE LOWEST EXISTING JOIST. THIS POINT SHALL BE USED TO DETERMINE THE FIXTURE MOUNTING HEIGHT FOR THE STORE. FIXTURE RUNS WITHIN THE SALES FLOOR SHALL BE MOUNTED AT A CONSISTENT HEIGHT. EXISTING ROOF JOISTS SHALL BE USED TO ESTABLISH THIS ELEVATION. NOT WIDE FLANGE BEAM (I-BEAM) OR JOIST GIRDER. IF FIXTURE RUN INTERFERES WITH A JOIST GIRDER ADJUST LOCATION OF ROW TO ALLOW IT TO RUN THROUGH THE WEB. IF FIXTURE RUN INTERFERES WITH A WIDE FLANGE BEAM (I-BEAM), INSTALL FIXTURES ON EACH SIDE OF BEAM AS CLOSE TO BEAM AS POSSIBLE AND LEAVE A GAP IN THE RUN. COORDINATE WITH ALDI CONST. REPRESENTATIVE.

SUPPORT FIXTURE TRUNKS WITH SUPPLIED AIRCRAFT CABLE KITS AND SAMMYS SCREWS TO ROOF DECK PER MANUFACTURERS RECOMMENDATIONS. REFER TO TRUNK LAYOUT DRAWING FROM NORDEON FOR NUMBER OF CABLES PER ROW AND SPACING.

POWER DROP LOCATIONS ARE NOTED ON THE TRUNK LAYOUT DRAWING. TRUNKS ONLY HAVE POWER FEED ON ONE END OF TRUNK. START EACH ROW FROM THE POWER FEED END CONNECT WIRE HARNESS FROM TRUNK TO TRUNK ON EACH ROW METAL END PLATES ARE TO BE INSTALLED AT THE BEGINNING AND END OF EACH ROW.

FINAL MOUNTING HEIGHT OF FIXTURES ADJACENT TO SALES FLOOR PERIMETER WALLS MUST BE ABOVE OR EQUAL TO SALES FLOOR WALL PAINT LINE.



NOTE:
 AN ENERGY MANAGEMENT SYSTEM FOR THE FACILITY IS SUPPLIED AS AN INTEGRAL PART OF THE POWER WALL. THE ELECTRICAL CONTRACTOR SHALL COORDINATE WITH THE PROJECT MANAGER ON INSTALLATION OF EQUIPMENT, LIGHTING AND WIRING DEVICE BRANCH CIRCUITS CONTROLLED BY THE ENERGY MANAGEMENT SYSTEM. THE ELECTRICAL CONTRACTOR SHALL PROVIDE ALL CONDUIT, WIRING AND CONNECTIONS AS REQUIRED TO CONTROL THE EQUIPMENT, LIGHTING AND WIRING DEVICES INDICATED.

KEYNOTES:
 (E1) CONTRACTORS FURNISH WITH CONTROLS IN POWER-WALL ENCLOSURE
 (E2) FACTORY WIRE PART OF POWER-WALL
 (E3) WIRING TO BE PERFORMED BY ELECTRICAL CONTRACTOR. SEE PANEL 'LT' AND SHEET E-101 FOR CIRCUIT CONNECTIONS.

Lighting Control Diagram

Issued:	Date:
A Client Review Set	02/15/19
B Bid Set	03/08/19
C	
D	
Revisions:	Date:
1	
2	
3	
4	
5	
6	
7	
8	

DO NOT SCALE PLANS

Copying, Printing, Software and other processes required to produce these prints can stretch or shrink the actual paper or layout. Therefore, scaling of this drawing may be inaccurate. Contact us consultants with any need for additional dimensions or clarifications.

ms consultants, inc.
 engineers, architects, planners
 920 Main Campus Drive
 Suite 430
 Raleigh, NC 27606-5213
 (919)-772-5565
 fax: (919)-779-2308

DRAWN BY: JMM

REVIEWED BY: KFF

Seal

ENGINEER FIRM LICENSE #C-3239
 PROFESSIONAL OF RECORD:
 DANIEL E. DOWLER NO. 042448
 EXP. DATE: 12/31/2019

ALDI Inc.
 1985 Old Union Church Road
 Salisbury, NC 28146
 (704) 642-0023
 (704) 642-0075 fax

ALDI Inc. Store #: 59
 Cary, NC
 1315 Kildaire Farm Rd
 Cary, NC 27511
 Wake County
 Project Name & Location:

Schedules & Diagrams Drawing Name:	
Prototype Rls.	Project No.
Type: v7.1	40452-25
Scale: As Noted	Drawing No. E-102