

PLUMBING MATERIAL LIST

NOTES:  
 1. ANY SUBSTITUTIONS TO THE SPECIFIED MATERIALS AND/OR EQUIPMENT MUST BE APPROVED BY OWNER BEFORE BIDDING AND ANY SUBSTITUTIONS SHALL BE STATED ON THE BID. IF NO SUBSTITUTIONS ARE NOTED ON THE BID, PROVIDED MATERIALS AND/OR EQUIPMENT SHALL BE FURNISHED EXACTLY AS SPECIFIED WITH NO EXCEPTIONS.  
 2. REFER TO SPECIFICATIONS FOR ADDITIONAL INFORMATION FOR ALL ABOVE EQUIPMENT/DEVICES LISTED ABOVE FOR COMPLETE INSTALLATION, MOUNTING AND CONNECTION REQUIREMENTS.  
 3. ALL FIXTURES, DEVICES AND MATERIAL SHALL COMPLY WITH THE SAFE DRINKING WATER ACT OF 2011.

FIXTURE	SYMBOL	DESCRIPTION
WATER CLOSET	WC-A	WATER CLOSET - AMERICAN STANDARD MADERA #3461.528 VITREOUS CHINA, FLOOR MOUNTED, TOP SPUD, ELONGATED BOWL, RIM 17 1/4" ABOVE FLOOR FOR WHEELCHAIR USE, BOLT CAPS, SLOAN SOLAR POWERED, SENSOR OPERATED FLUSH VALVE WITH BATTERY BACK-UP SOLIS 8111-1.28 WITH 1.28 GPF, 3/4" ANGLE SUPPLY AND STOP AND 1/2" TOP SPUD CONNECTION AND SHALL BE CHROME PLATED, ADA COMPLIANT, VACUUM BREAKER, FACTORY SUPPLIED BATTERIES FOR BACK-UP ONLY, LOW BATTERY INDICATOR LIGHT, WALL AND SPUD FLANGES, WHITE HEAVY DUTY MOLDED SOLID PLASTIC ELONGATED SEAT WITH OPEN FRONT - BEMIS 1955.
WATER CLOSET	WC-B	WATER CLOSET - AMERICAN STANDARD C-DET #2467.016, PRESSURE ASSISTED, VITREOUS CHINA, FLOOR MOUNTED, ELONGATED BOWL, RIM 16 1/2" ABOVE FLOOR FOR WHEELCHAIR USE, BOLT CAPS, 1.6 GPF, 1/2" ANGLE SUPPLY WITH STOP, 12" ROUGH IN, ADA COMPLIANT, WHITE HEAVY DUTY MOLDED SOLID PLASTIC ELONGATED SEAT WITH OPEN FRONT - BEMIS 1955.
URINAL	UR-A	URINAL - AMERICAN STANDARD "WASHBROOK" 6590.510, FLUSH VALVE TYPE, 0.5 GPF WHITE VITREOUS CHINA, WASHOUT, 3/4" TOP SPUD, 2" OUTLET, ELONGATED - 14" RIM. FURNISH CARRIER WITH TOP AND BOTTOM BEARING PLATES, BOLT SECURELY TO FLOOR. SLOAN SOLAR POWERED, SENSOR OPERATED FLUSH VALVE WITH BATTERY BACK-UP SOLIS 8186-0.5 WITH 0.5 GPF, 3/4" INLET, SHALL BE CHROME PLATED, WITH SCREWDRIVER BACK CHECK ANGLE STOP VALVE, ADA COMPLIANT, VACUUM BREAKER, FACTORY SUPPLIED BATTERIES FOR BACK-UP ONLY, LOW BATTERY INDICATOR LIGHT, WALL AND SPUD FLANGES, MOUNT 15 1/2" AFF TO RIM AND VALVE HANDLE AT 44" AFF MAXIMUM. PROVIDE REMOVABLE STAINLESS STEEL STRAINER AMERICAN STANDARD 0470689070A.
LAVATORY	LAV-A	LAVATORY - AMERICAN STANDARD "NEW LUCERNE" 0356.421, 20"x18" VITREOUS CHINA, WALL HUNG WITH SINGLE CENTER HOLE FOR FAUCET, AMERICAN STANDARD 7723.018 OFFSET TAILPIECE ASSEMBLY WITH GRID DRAIN, SUPPLY WITH ANGLE STOPS, ADJ. CHROME PLATED CAST BRASS TRAP WITH C.O. WADE W520-D FLOOR MOUNTED CARRIER WITH CONCEALED ARMS ONLY, WALL BRACKET WILL NOT BE ACCEPTABLE. INSTALL TAILPIECE, TRAP, TRAP-ARM AND SUPPLIES PARALLEL AS TIGHT AS POSSIBLE TO WALL FOR WHEELCHAIR USE. INSULATE AS PER SPEC. PROVIDE WITH SLOAN MODEL SF-2450 ELECTRONIC SENSOR ACTIVATED HAND WASHING FAUCET WITH BATTERY POWERED INFRARED SENSOR WITH ADJUSTABLE RANGE, 4" CENTERSET, SINGLE TEMPERED WATER SUPPLY CONNECTION AND 2.2 GPM VANDAL RESISTANT AERATOR, AND ADA COMPLIANT.
SINK	SK-A	SINK [ADA COMPLIANT, UNDERMOUNT, SINGLE COMPARTMENT, CENTER REAR DRAIN] - FURNISHED BY ALDI VENDOR WITH COUNTERTOP; INSTALLED BY CONTRACTOR. ASSEMBLY AMERICAN STANDARD 6409.170 LEDGE TYPE FAUCET WITH 8" SPOUT, AERATOR & WRISTBLADE HANDLES. 17 GA. C.P. BRASS CONTINUOUS WASTE. ADJ. CHROME PLATED CAST BRASS TRAP, INSULATE AS PER SPEC.
GARBAGE DISPOSAL	GD-A	GARBAGE DISPOSAL - INSINKERATOR #BADGER 900 PLUS, 120V, 60Hz, 9.5A
DISHWASHER	DW-A	DISHWASHER - FURNISHED BY GC.
DISHWASHER AIR GAP ASSEMBLY	AG-1	5/8" O.D. INLET x 7/8" O.D. OUTLET DISHWASHER AIR GAP ASSEMBLY WITH STAINLESS STEEL CAP; BRASSCRAFT #BC9441
MOP BASIN	MB-A	MOP BASIN - FIAT MSB-2424, 24"x24"x10", MOLDED STONE INTEGRAL 3" DRAIN AND STAINLESS STEEL STRAINER. AMERICAN STANDARD 8344.112 FAUCET WITH VACUUM BREAKER, COLOR INDEX, INTEGRAL STOPS, CHROME FINISH AND 6' HOSE. DEEP SEAL TRAP.
WATER HAMMER SHOCK ABSORBER	SA-A	WATER HAMMER DEVICE - EQUAL TO PPP INC. SIZED PER LINE SIZE AND FIXTURE UNITS.
ELECTRIC WATER HEATER	EW-H	ELECTRIC WATER HEATER - RHEEM PROE201RHP0U, 19.9 GALLON CAPACITY, 2.0 KW, 120 VOLTS, 1 PHASE, U.L. LISTED, GLASS LINED TANK, THERMOSTAT, MAGNESIUM ANODE ROD, HIGH TEMPERATURE CUT-OFF, BRASS DRAIN VALVE AND T & P RELIEF VALVE, PIPE RELIEF VALVE DOWN TO MOP BASIN, MAXIMUM 26" HIGH, WITH SIDE CONNECTIONS. UNIT SHALL CONFORM TO ASHRAE 90 OR LATEST VERSION.
EXPANSION TANK	RP-1	AMTROL THERM-X-TROL ST-5; 2.1 GAL. MAX ACCEPT. FACTOR .43.
RE-CIRCULATION PUMP	RP-1	ASTRO 22585050S-1A HOT WATER RE-CIRCULATION SYSTEM
TEMPERATURE MIXING VALVE	MV-A	MIXING VALVE - WATTS MODEL LFMV, 1/2", 4.0 PSI PRESSURE DROP AT 2.0 GPM WITH RANGE TEMPERATURE OF 80°F TO 120°F. SET VALVE AT A MAXIMUM 110°F. VALVE TO BE INSTALLED AT EACH LAVATORY AND BREAKROOM SINK AND SHALL MEET ASSE STANDARD 1070. VALVE TO BE ALSO LABELED CSA B125 CERTIFIED. VALVE SHALL BE BRONZE BODY WITH INTEGRAL CHECKS, FILTER WASHERS AND AN ADJUSTMENT CAP WITH LOCKING FEATURE. THE VALVE SHALL BE APPROVED FOR 0.5 GPM WATERFLOW IN ACCORDANCE WITH THE LATEST ASSE-1017.
DRINKING FOUNTAINS	DF-A	DRINKING FOUNTAIN - ELKAY MODEL EDP210C, SS DRINKING FOUNTAIN, WALL MOUNT WITH SAFETY BUBBLER, FRONT PUSH BAR CONTROL, LK464 DRAIN AND TRAP ASSEMBLY, MOUNT ON ELKAY MODEL MPW200 IN-WALL SUPPORT MOUNTING PLATE WITH MODEL ML-100 IN-WALL CARRIER LEGS.
	DF-B	DRINKING FOUNTAIN - ELKAY MODEL EDP214C, SS DRINKING FOUNTAIN, WALL MOUNT WITH SAFETY BUBBLER, FRONT PUSH BAR CONTROL, LK464 DRAIN AND TRAP ASSEMBLY, BARRIER-FREE ACCESS, ADA COMPLIANT, MOUNT ON ELKAY MODEL MPW200 IN-WALL SUPPORT MOUNTING PLATE WITH MODEL ML-100 IN-WALL CARRIER LEGS.
	FOR DF-A & B	DRINKING FOUNTAIN MOUNTING EQUIPMENT - PROVIDE ELKAY MODEL MPW200 IN-WALL MOUNTING (CARRIER) PLATE FOR B-LEVEL MOUNTING. PROVIDE ELKAY MODEL ML100 IN-WALL (CARRIER) PLATE MOUNTING LEGS. SECURE TO FLOOR.
ROOF HYDRANT	RH-1	WOODFORD SRH-MS - HOSE CONNECTION BACKFLOW PREVENTER, MODEL 50H WITH 3/4" HOSE CONNECTION, ASSE 1052 LISTED, FIELD TESTABLE DUAL CHECK HOLDS AGAINST 125 PSI BACKFLOW PRESSURE, 1/2" NPT FEMALE INLET CONNECTION, 1/2" U.S. MADE GALVANIZED PIPE, MAXIMUM WORKING PRESSURE: 100 PSI, MAXIMUM TEMPERATURE 120°F.
FLOOR DRAIN	FD-1	FLOOR DRAIN - WADE W-1100-A, CAST IRON BODY WITH DEEP SEAL TRAP, FLASHING COLLAR AND 6" NICKEL BRONZE ADJUSTABLE TOP, INSTALL DRAINS OUT OF LIFT TRUCK TRAFFIC WAY.
FLOOR DRAIN	FD-2	FLOOR DRAIN - WADE W-1100TS, CAST IRON BODY WITH DEEP SEAL TRAP, TRAP GUARD, FLASHING COLLAR AND 6" HEAVY DUTY CAST IRON ADJUSTABLE TOP AND GRATE, INSTALL DRAINS OUT OF LIFT TRUCK TRAFFIC WAY.
HUB DRAIN	HD-1	HUB DRAIN - OPEN-ENDED CAST IRON HUB DRAIN PIPE, FULL PIPE SIZE, WITH DEEP SEAL TRAP. PROVIDE WITH TRAP GUARD INSERT, INSTALL DRAINS OUT OF LIFT TRUCK TRAFFIC WAY.
FLOOR CLEANOUT CONCRETE FLOORS	DPCO	FLOOR CLEANOUT - WADE 4000-X CAST IRON CLEANOUT WITH THREADED ADJUSTABLE HOUSING, TAPERED BRASS PLUG AND ROUND SCORiated CAST IRON HEAVY DUTY TOP MINIMUM SIZE SHALL BE LINE SIZE UP TO 4" MAXIMUM. ADJUST LOCATION TO BE READILY ACCESSIBLE AND OUTSIDE OF THE PATHWAY TO DOORS. ANSI LOAD CLASS: SPECIAL DUTY (OVER 10,000 LBS).
WALL CLEANOUT	WPCO	WADE 8560 W/ 8304-VP ROUND STAINLESS STEEL ACCESS COVER
REDUCED PRESSURE BACKFLOW (On VACUUM Fill Line)	RPZ-A	WATTS 3/4" LF009-QT-5 LEAD FREE REDUCED PRESSURE BACKFLOW PREVENTER, 12 PSI PRESSURE LOSS @ 4 GPM (VAC. PUMP), ASSE 1013 AWWA C511-92 WITH STRAINER.
FLOOR SINK	FS-1	VACUUM SINK - FIAT MSB-2424, 24"x24"x10", MOLDED STONE INTEGRAL 3" DRAIN AND STAINLESS STEEL STRAINER.
DRINKING FOUNTAIN	DN-1	JURN MODEL ZANB-199 DOWNSPOUT NOZZLE, NICKEL BRONZE BODY, NO HUB INLET.
TRAP PRIMER	TP-A	TRAP PRIMER - PRECISION PLUMBING PRODUCTS (PPP), MODEL #PR-500

FIXTURE CONNECTION SCHEDULE

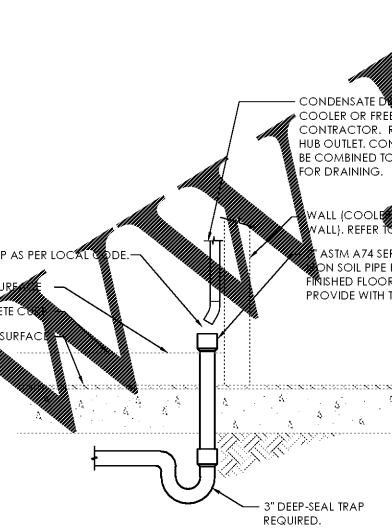
DESCRIPTION & SYMBOL	CONNECTION SIZE				
	HOT	TEMPERED	COLD	WASTE	VENT
WATER CLOSET (WC-A)	---	---	1"	3"	2"
URINAL (UR-A)	---	---	3/4"	2"	2"
LAVATORY (LAV-A)	---	3/8"	---	1-1/2"	1-1/2"
SINK (SK-A)	---	3/8"	---	1-1/2"	1-1/2"
GARBAGE DISPOSAL (GD-A)	---	---	---	1-1/2"	---
DISHWASHER (DW-A)	3/8"	---	---	7/8" AG-1	---
MOP BASIN (MB-A)	1/2"	---	1/2"	3"	2"
WATER HEATER (EW-H)	3/4"	---	3/4"	---	---
ANTI-FREEZE WALL HYDRANT (WH-1)	---	---	3/4"	---	---
ROOF HYDRANT (RH-1)	---	---	3/4"	---	---
DRINKING FOUNTAIN (DF-A & B)	---	---	3/8"	1-1/2"	1-1/2"
VACUUM (VAC & FS-1)	---	---	3/4"	---	2"

\*1/2" ROUGH-IN, 3/8" SUPPLY

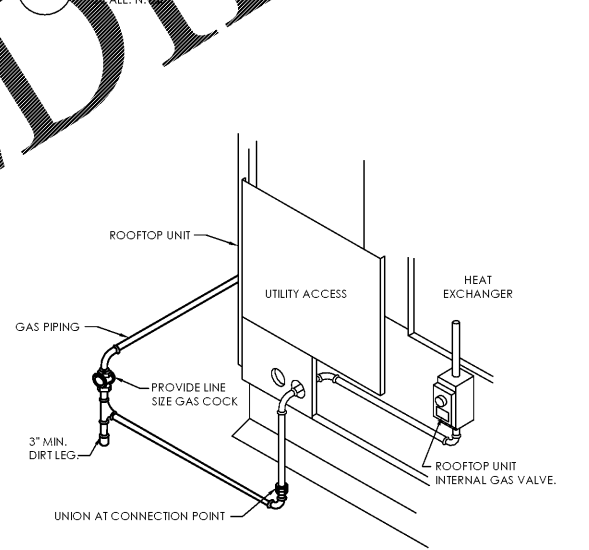
PLUMBING LEGEND

SYMBOL & ABBREV	ITEM	SYMBOL	ABBREV	ITEM
---	CW	---	CV	CHECK VALVE
---	HW	---	GC	GAS COCK
---	TW	---	RD	ROOF DRAIN
---	HWR	---	DPCO	DECK PLATE CLEAN OUT
---	G	---	WPCO	WALL PLATE CLEAN OUT
---	SAN	---	TD	TRAPPED DRAIN
---	VE	---	TE	TEE - UP
---	ST	---	TDN	TEE - DOWN
---	CD	---	TE	TEE
---	CON	---	EU	ELBOW - UP
---	CONNECTING	---	ED	ELBOW DOWN
		---	EL	ELBOW
		---	UN	UNION

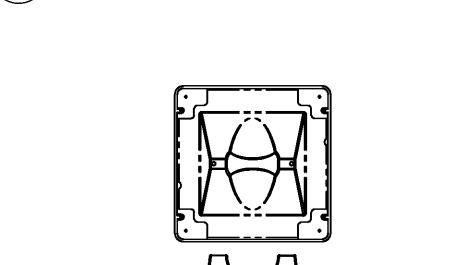
B3 Unit Heater Gas Piping Detail  
SCALE: NONE



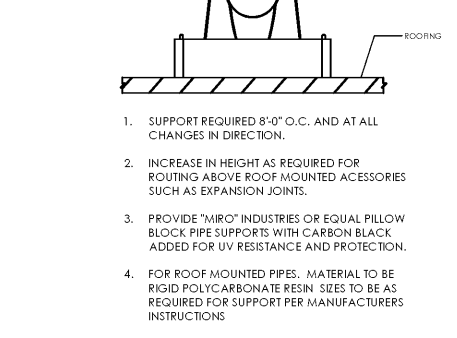
A2 Rooftop Unit Gas Piping Detail  
SCALE: NONE



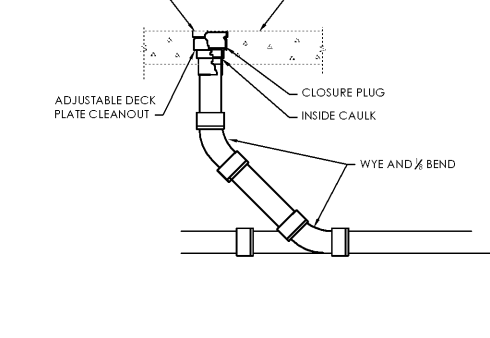
B2 Back Room Condensate Drain Connection Detail  
SCALE: NONE



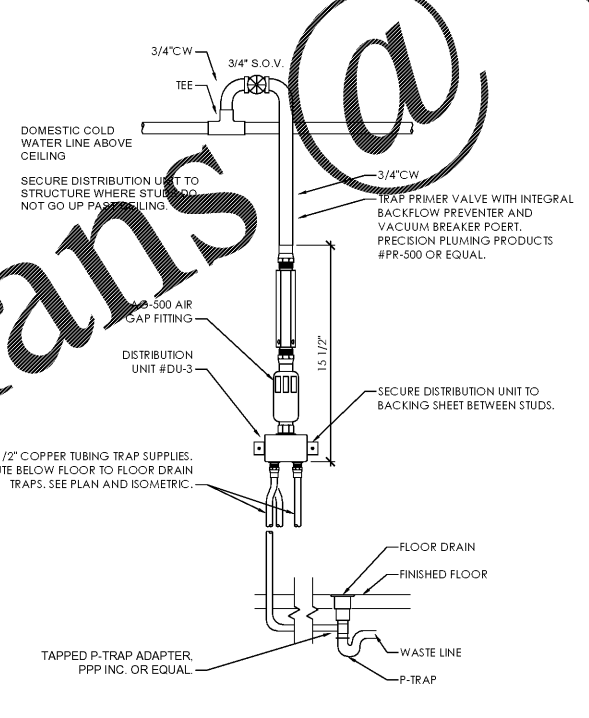
B1 Gas Piping Support Detail  
SCALE: NONE



A1 Deck Plate Cleanout Detail  
SCALE: NONE



C1 Trap Primer Detail  
SCALE: NONE



Issued: \_\_\_\_\_ Date: \_\_\_\_\_

A	Client Review Set	02/15/19
B	Bid Set	03/08/19
C		
D		

Revisions: \_\_\_\_\_ Date: \_\_\_\_\_

1		
2		
3		
4		
5		
6		
7		
8		

DO NOT SCALE PLANS  
 Copying, Printing, Software and other processes required to produce these prints can stretch or shrink the actual paper or layout. Therefore, scaling of this drawing may be inaccurate. Contact us consultants with any need for additional dimensions or clarifications.

**ms consultants, inc.**  
 engineers, architects, planners  
 920 Main Campus Drive  
 Suite 430  
 Raleigh, NC 27606-5213  
 (919)-772-5565  
 fax: (919)-779-2308

DRAWN BY: JMM

REVIEWED BY: KFF

Seal

ENGINEER FIRM LICENSE #C-3239  
 PROFESSIONAL OF RECORD:  
 DANIEL E. DOWLER No. 042448  
 EXP. DATE: 12/31/2019

**ALDI Inc.**  
 1985 Old Union Church Road  
 Salisbury, NC 28146  
 (704) 642-0023  
 (704) 642-0076 fax

ALDI Inc. Store #: 59  
 Cary, NC  
 1315 Kildaire Farm Rd  
 Cary, NC 27511  
 Wake County  
 Project Name & Location:

Plumbing Details and Schedules  
 Drawing Name:

Prototype Rls.	Project No.
	40452-25
Type: v7.1	
	P-401
Scale: As Noted	Drawing No.