

DOOR NO.	DOOR										HDW. GROUP	DETAIL			REMARK	DOOR NO.	ROOM NAME	
	SIZE			ELEV.	MAT.	FIN.	FIRE LABEL	FRAME				HEAD	JAMB	SILL				
	WIDTH	HEIGHT	THICK.					ELEV.	MAT.	FIN.								FIRE LABEL
101A	+/- 16'-0" V.I.F.	7'-6"	--	DD	ALUM.	--	--	--	ALUM.	--	--	100	--	--	B1/A502	DOOR ELEVATIONS ON THIS SHEET. SEE SHEET A501 FOR JAMB DETAILS - FIXED SIDELIGHT PANEL SHALL MAKE UP DIFFERENCE IN MASONRY OPENINGS. DOORS WILL HAVE 1/2" THRESHOLD TO COMPENSATE FOR THICKNESS OF ENTRY MAT.	101A	VESTIBULE
101B	+/- 8'-2" V.I.F.	7'-6"	--	EE	ALUM.	--	--	--	ALUM.	--	--	100	--	--	B1/A502		101B	VESTIBULE
101C	+/- 8'-2" V.I.F.	7'-6"	--	EE	ALUM.	--	--	--	ALUM.	--	--	100	--	--	B1/A502		101C	VESTIBULE
102A	7'-0"	8'-0"	1 1/2"	CC	POLY	--	--	D	H.M.	1	--	SEE REMARK	6/A601	7/A601	A2/A513	HARDWARE BY DOOR SUPPLIER FRAME BY G.C.	102A	SALES
102B	4'-0"	7'-6"	1 3/4"	GG	H.M.	1/2	--	F	H.M.	1/2	--	600	C2/A503	--	--	INSUL. EXT. DOOR - PREPARE DOOR FRAME FOR ALARMED EXIT DEVICE BEFORE GROUTING SOLID. DOOR FRAME TO CONTAIN CONDUIT AND ELECTRIFIED HINGE.	102B	SALES
102C	4'-0"	7'-0"	1 3/4"	BB	H.M.	1/2	--	--	H.M.	1/2	--	500	4/A601	5/A601	--		102C	SALES
103	3'-0"	7'-0"	1 3/4"	AA	H.M.	1	--	A	H.M.	1	--	200	4/A601	5/A601	--		103	WOMENS
105	3'-0"	7'-0"	1 3/4"	AA	H.M.	1	--	A	H.M.	1	--	200	4/A601	5/A601	--		105	MENS
106	3'-0"	7'-0"	1 3/4"	AA	H.M.	1	--	A	H.M.	1	--	401	4/A601	5/A601	--		106	BREAK ROOM
107	3'-0"	7'-0"	1 3/4"	AA	H.M.	1	--	A	H.M.	1	--	200	4/A601	5/A601	--		107	OFFICE
109A	E.T.R.	E.T.R.	E.T.R.	E.T.R.	E.T.R.	1/2	--	E.T.R.	E.T.R.	1/2	--	--	--	--	--	TO BE PAINTED	109A	BACK ROOM
109B	8'-2"	8'-1"	--	FF	STL.	3/2	--	--	--	3/2	--	SEE REMARK	8/A601	9/A601	10/A601	HARDWARE BY DOOR SUPPLIER	109B	BACK ROOM
110	4'-0"	7'-0"	1 3/4"	BB	H.M.	1	--	E	H.M.	1	--	700	4/A601	5/A601	--		110	FUTURE SPACE
111	4'-0"	7'-0"	1 3/4"	BB	H.M.	1/2	--	C	H.M.	1/2	--	500	1/A601	2/A601	3/A601	INSUL. EXT. DOOR - PREPARE DOOR FRAME FOR ALARMED EXIT DEVICE BEFORE GROUTING SOLID. DOOR FRAME TO CONTAIN CONDUIT AND ELECTRIFIED HINGE.	111	EXIT ACCESS
114	3'-0"	7'-0"	1 3/4"	AA	H.M.	1	--	A	H.M.	1	--	400	4/A601	5/A601	--		114	R.R.

NOTE: ALL HOLLOW METAL DOORS, FRAMES AND HARDWARE ARE OWNER FURNISHED / CONTRACTOR INSTALLED. (PAINTING IS BY CONTRACTOR.)

DOOR HARDWARE SET NO. 100				
DOOR NO. 101A, 101B, 101C; PROVIDED BY OWNER.				

DOOR HARDWARE SET NO. 200				
DOOR NO. 103, 105, 112; MENS, WOMENS, & R.P.: EACH TO HAVE THE FOLLOWING:				
No.	Item	Description	Manufacturer	Finish
3	HINGES	FBB179-NRP	STANLEY HARDWARE (STH)	626
1	PULL	158	ROCKWOOD	626
1	PUSH PLATE	70RCE	ROCKWOOD	626
1	CLOSER	8501-BF-AL	NORTON DOOR (NDC)	AL
1	WALL STOP	402-1/2	IVES (IVS)	AL
1	12" H. PROTECTIVE PLATE	8400	IVES (IVS)	630

DOOR HARDWARE SET NO. 400				
DOOR NO. 107; OFFICE TO HAVE THE FOLLOWING:				
No.	Item	Description	Manufacturer	Finish
3	HINGES	FBB179-NRP	STANLEY HARDWARE (STH)	626
1	STOREROOM LOCK	L9453BDC 06A	SCHLAGE (SCH)	626
1	CLOSER	8501-BF-AL	NORTON DOOR (NDC)	AL
1	WALL STOP	402-1/2	IVES (IVS)	AL
1	DOOR VIEWER	698	IVES (IVS)	AL
1	42" H. PROTECTIVE PLATE	8400	IVES (IVS)	630

DOOR HARDWARE SET NO. 401				
DOOR NO. 106; BREAK ROOM TO HAVE THE FOLLOWING:				
No.	Item	Description	Manufacturer	Finish
3	HINGES	FBB179-NRP	STANLEY HARDWARE (STH)	626
1	PRIVACY LOCK	SCHLAGE L9455P 06A X L283-722 X 2 EMERGENCY KEYS	SCHLAGE (SCH)	626
1	CLOSER	8501-BF-AL	NORTON DOOR (NDC)	AL
1	WALL STOP	402-1/2	IVES (IVS)	AL
1	DOOR VIEWER	698	IVES (IVS)	AL
1	42" H. PROTECTIVE PLATE	8400	IVES (IVS)	630

DOOR HARDWARE SET NO. 500				
DOOR NO. 111; EGRESS SPACE TO HAVE THE FOLLOWING:				
No.	Item	Description	Manufacturer	Finish
2	HINGES	FBB19132D-NRP	STANLEY HARDWARE (STH)	630
1	HINGE	EW18-626	DETEX	626
1	THRESHOLD	896N	NATIONAL GUARD (NGP)	AL
1	EXIT/PANIC	V400EAXLDC7X KS(36"x48") - INCLUDES TRANSFORMER PP-S152-3	DETEX	628
1	REMOTE SOUNDER	CS-29405	DETEX	GREY
1	CLOSER	8501-BF-AL	NORTON DOOR (NDC)	AL
1	DRIP STRIP	16A	NATIONAL GUARD (NGP)	CLEAR ANOD AL
1	STICK-ON GASKET	5060B	NATIONAL GUARD (NGP)	-
1	DOOR SWEEP	9605A	NATIONAL GUARD (NGP)	CLEAR ANOD AL

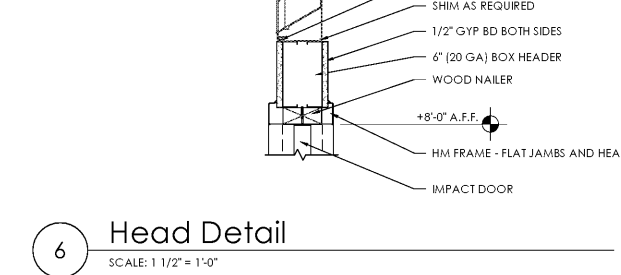
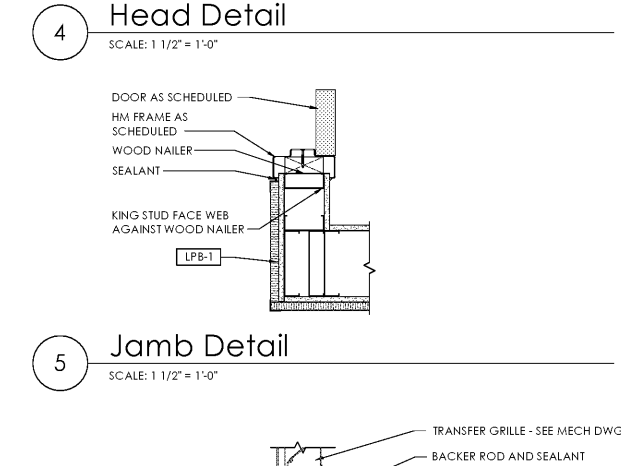
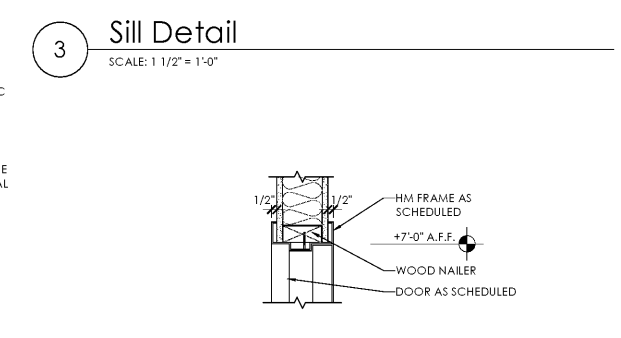
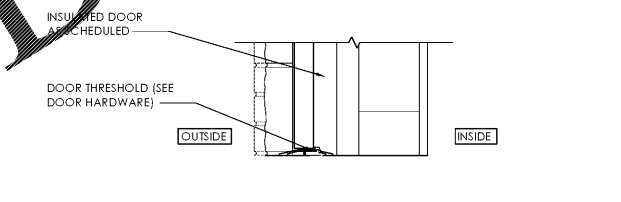
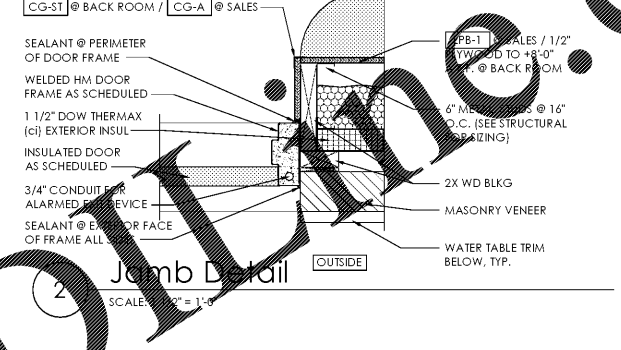
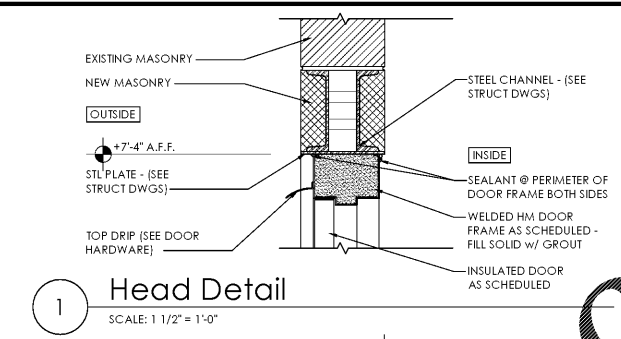
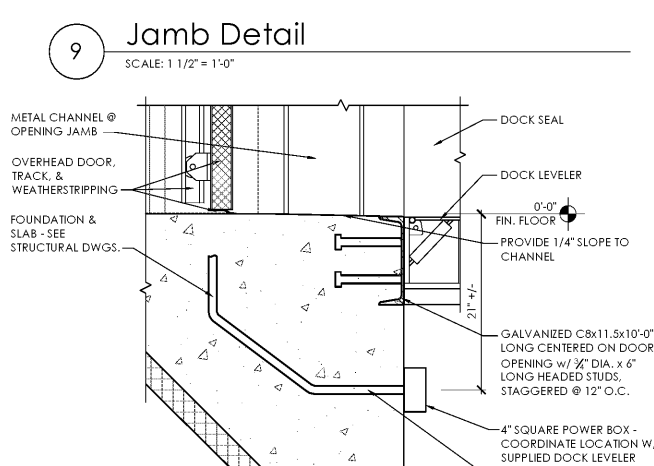
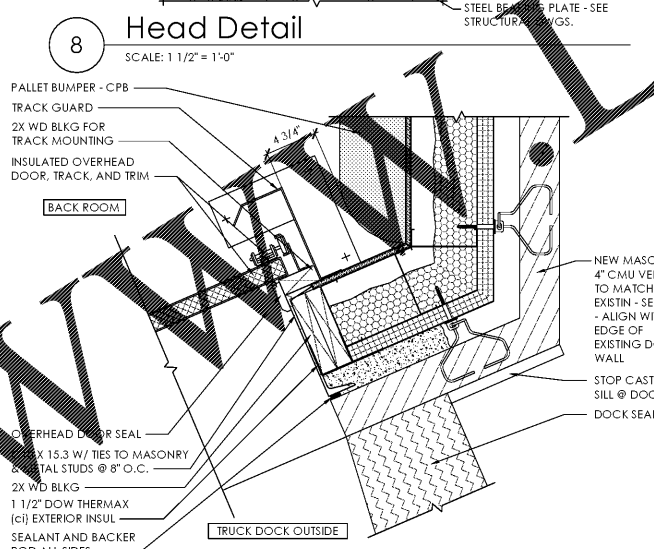
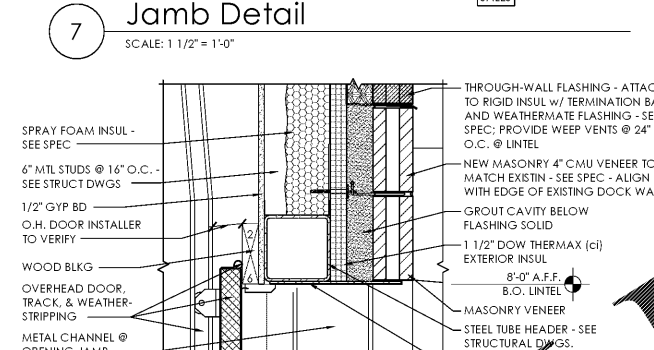
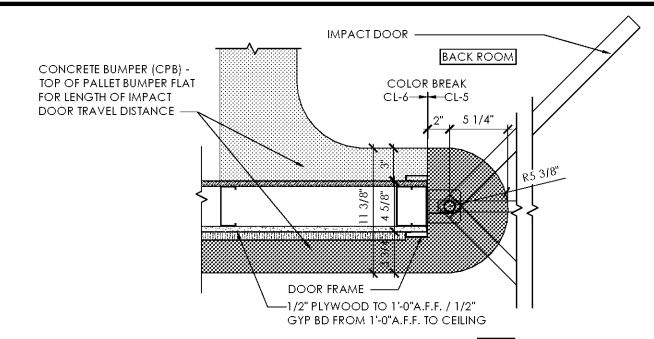
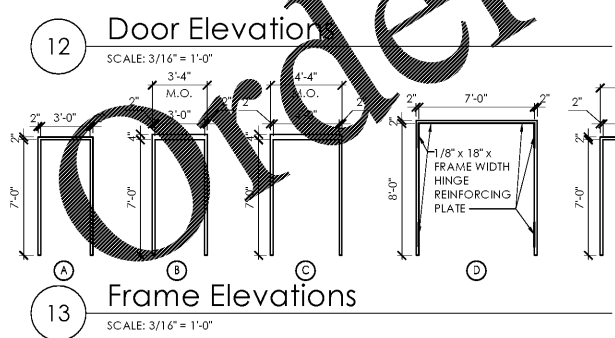
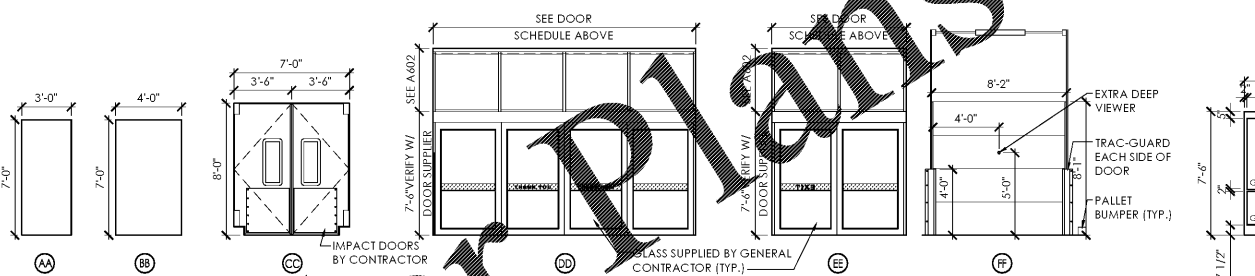
DOOR HARDWARE SET NO. 600				
DOOR NO. 102B BY OWNER. DOOR IS TO HAVE EXIT/PANIC HARDWARE WITH REMOTE SOUNDER AND CLOSER				
No.	Item	Description	Manufacturer	Finish
3	HINGES	FBB19132D-NRP	STANLEY HARDWARE (STH)	630
1	STOREROOM LOCK	ND80BDC	SCHLAGE (SCH)	626
1	EXIT DEVICE	99EO X 299	VON DUPRIN	US26D
1	CLOSER	-	-	-
1	42" H. PROTECTIVE PLATE	-	-	-

DOOR HARDWARE SET NO. 700				
DOOR NO. 110; FUTURE SPACE TO HAVE THE FOLLOWING:				
No.	Item	Description	Manufacturer	Finish
3	HINGES	FBB19132D-NRP	STANLEY HARDWARE (STH)	630
1	STOREROOM LOCK	ND80BDC	SCHLAGE (SCH)	626
1	EXIT DEVICE	99EO X 299	VON DUPRIN	US26D
1	CLOSER	-	-	-
1	42" H. PROTECTIVE PLATE	-	-	-

KEYNOTES - FINISHES (SEE A-603 COLOR/MATERIAL SCHEDULE)				
1	PT-3 / CL-5	SEMIGLOSS - INTERIOR SIDE		
2	PT-19 / CL-5	SEMIGLOSS - EXTERIOR SIDE		
3	PREFINISHED	WHITE - INTERIOR SIDE		

LEGEND	
H.M.	HOLLOW METAL
ALUM.	ANODIZED ALUMINUM
POLY	POLYETHYLENE

NOTE:  
SEE SHEET A603 FOR FINISH SCHEDULES  
SEE SHEETS A212-A215 & E201 FOR POWER REQUIREMENTS & COMPONENT LOCATIONS AT DOORS 102B, 104 & 109A



Issued:	Date:
A Client Review Set	02/15/19
B Bid Set	03/08/19
C	
D	

Revisions:	Date:
1	
2	
3	
4	
5	
6	
7	
8	

DO NOT SCALE PLANS  
Copying, Printing, Software and other processes required to produce these prints can stretch or shrink the actual paper or layout. Therefore, scaling of this drawing may be inaccurate. Contact us consultants with any need for additional dimensions or clarifications.

**ms consultants, inc.**  
engineers, architects, planners  
920 Main Campus Drive  
Suite 430  
Raleigh, NC 27606-5213  
(919)-772-5565  
fax: (919)-779-2308

DRAWN BY: MEM/BMT

REVIEWED BY: NAL/CMB

Seal

**ALDI Inc.**  
1985 Old Union Church Road  
Salisbury, NC 28146  
(704) 642-0023  
(704) 642-0078 fax

ALDI Inc. Store #: 59  
Cary, NC  
1315 Kildaire Farm Rd  
Cary, NC 27511  
Wake County  
Project Name & Location:

Door Schedules & Details	
Drawing Name:	Project No.
Prototype Rls.	40452-25
Type: v7.1	
Scale: As Noted	Drawing No. A-601