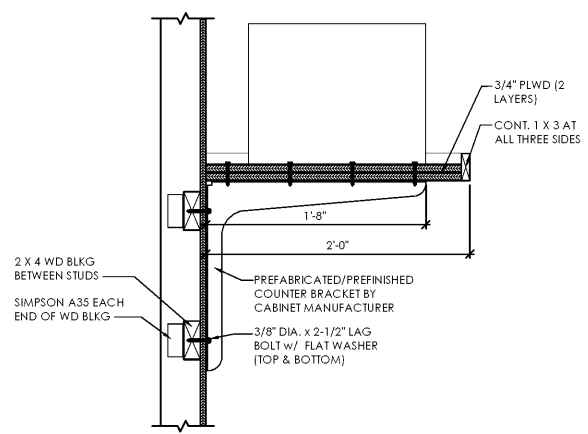


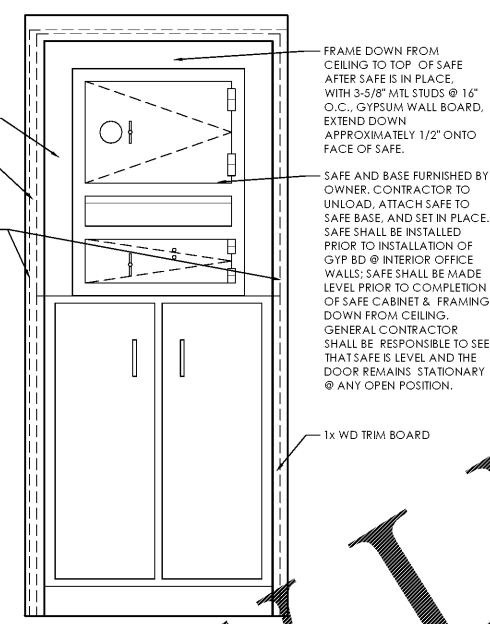
Interior Plan Detail - EVAC System

D3 SCALE: 3/4" = 1'-0"



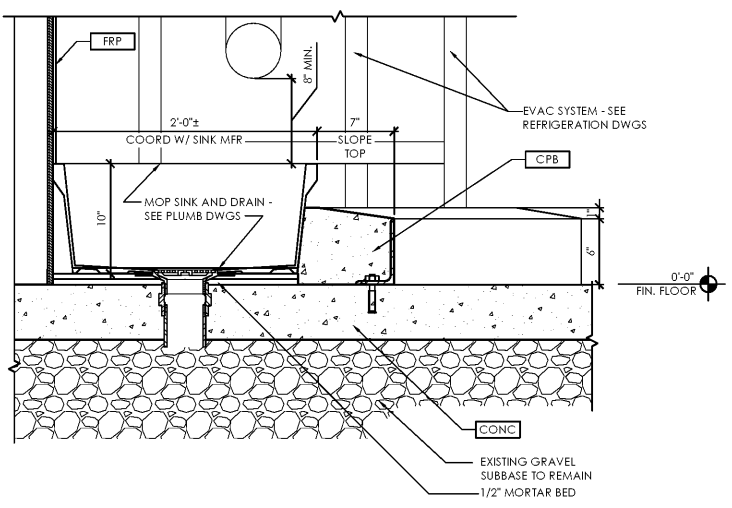
Interior Section Detail - UPS Shelf

C3 SCALE: 1 1/2" = 1'-0"



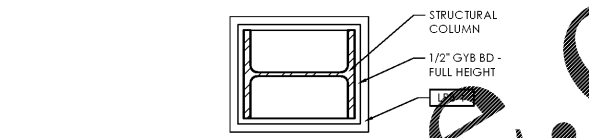
Interior Elevation Detail - Office Safe

B2 SCALE: 1/2" = 1'-0"



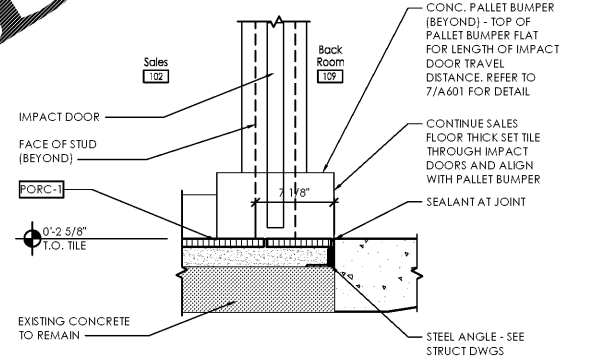
Interior Section Detail - EVAC Floor Sink (Side)

D2 SCALE: 1 1/2" = 1'-0"



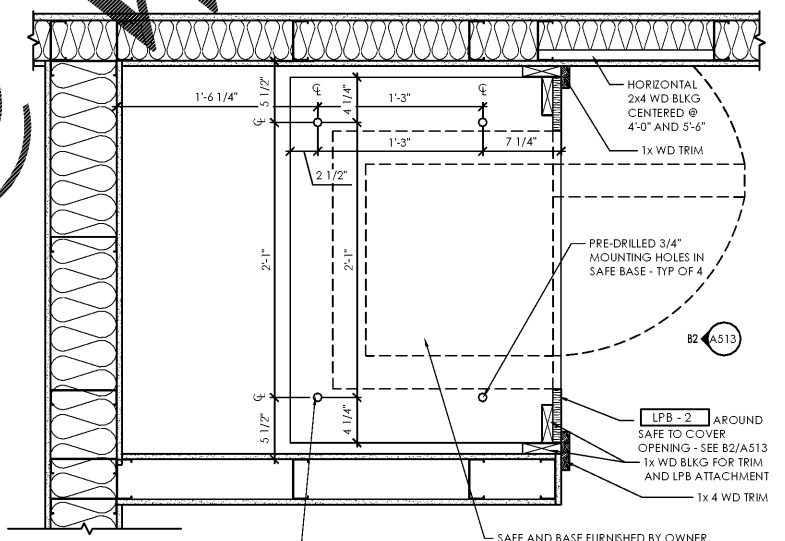
Interior Plan Detail - Sales Area Column Wrap

C4 SCALE: 1/2" = 1'-0"



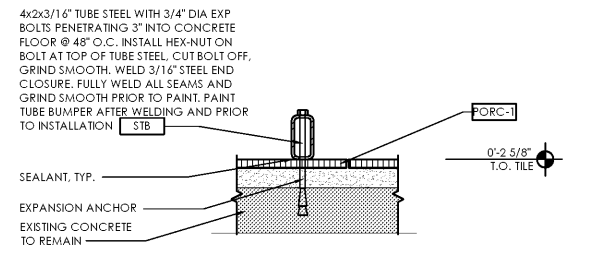
Interior Section Detail - Slab at Impact Door

A2 SCALE: 1 1/2" = 1'-0"



Interior Plan Detail - Office Safe

B1 SCALE: 1 1/2" = 1'-0"



Interior Section Detail - Tube Steel Attachment

A1 SCALE: 1 1/2" = 1'-0"

SECURE SAFE BASE TO FLOOR SLAB WITH DROP-IN EXPANSION ANCHORS PROVIDED WITH SAFE AND BASE PACKAGE. CONTRACTOR TO VERIFY EXACT SAFE POSITION AND DROP-IN EXPANSION ANCHOR HOLE LOCATIONS IN CONCRETE SLAB PRIOR TO DRILLING HOLES. PLACE DROP-IN EXPANSION ANCHORS PRIOR TO SETTING SAFE AND BASE INTO POSITION. BOLT DOWN INTO DROP-IN ANCHORS. ALL [4] ATTACHMENT POINTS ACCESSED THROUGH REMOVABLE PLATE AT SAFE BASE TOE-KICK.

SAFE AND BASE FURNISHED BY OWNER. CONTRACTOR TO UNLOAD, ATTACH SAFE TO SAFE BASE, AND SET IN PLACE. SAFE SHALL BE PLACED 3/4" FROM EDGE OF SAFE BASE AND IS TO BE INSTALLED PRIOR TO INSTALLATION OF GYP. BD @ INTERIOR OFFICE WALLS.

Issued:	Date:
A Client Review Set	02/15/19
B Bid Set	03/08/19
C	
D	
Revisions:	Date:
1	
2	
3	
4	
5	
6	
7	
8	

DO NOT SCALE PLANS
Copying, Printing, Software and other processes required to produce these prints can stretch or shrink the actual paper or layout. Therefore, scaling of this drawing may be inaccurate. Contact ms consultants with any need for additional dimensions or clarifications.

ms consultants, inc.
engineers, architects, planners
920 Main Campus Drive
Suite 430
Raleigh, NC 27606-5213
(919)-772-5565
fax: (919)-779-2308

DRAWN BY: MEM/BMT

REVIEWED BY: NAL/CMB

Seal

ALDI Inc.
1985 Old Union Church Road
Salisbury, NC 28146
(704) 642-0023
(704) 642-0078 fax

ALDI Inc. Store #: 59
Cary, NC
1315 Kildaire Farm Rd
Cary, NC 27511
Wake County
Project Name & Location:

Interior Details	
Drawing Name:	
Prototype Rls.	Project No.
	40452-25
Type: V7.1	
	A-513
Scale: As Noted	Drawing No.

Order Plans @ WWW.LDOnline.com