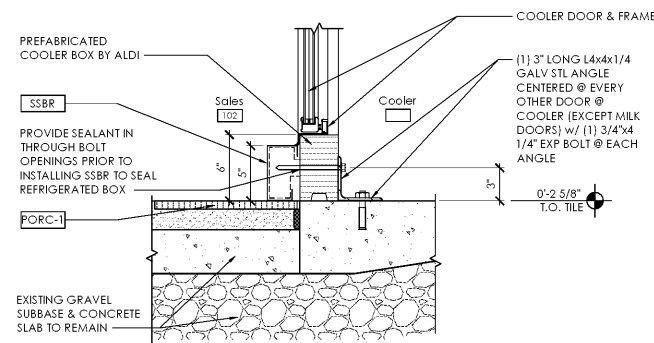


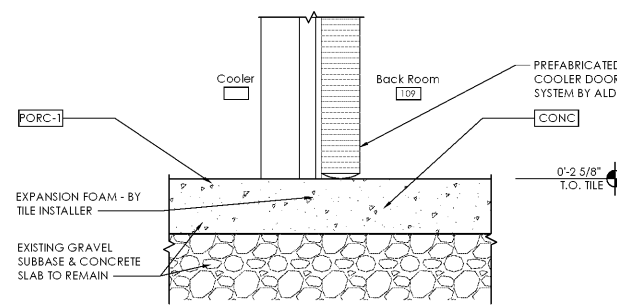
D3 Interior Section Detail - Interior Wall Head at Sales

SCALE: 1 1/2" = 1'-0"



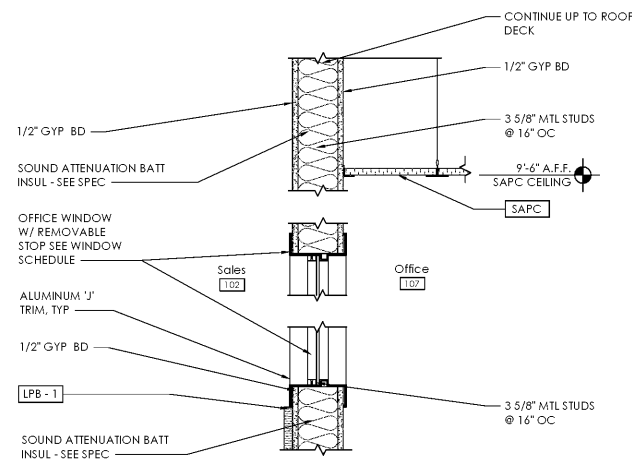
C3 Interior Section Detail - Cooler at General Doors

SCALE: 1 1/2" = 1'-0"



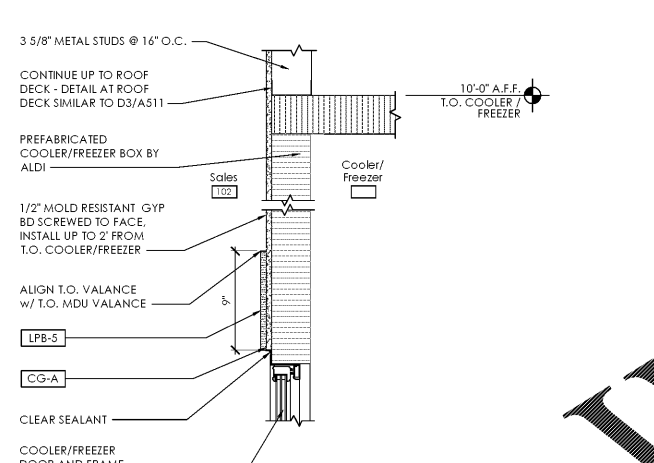
B3 Interior Section Detail - Cooler at Service Door

SCALE: 1 1/2" = 1'-0"



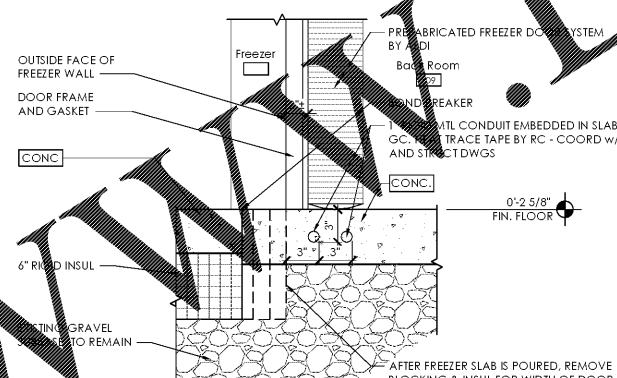
D2 Interior Section Detail - Office Window

SCALE: 1 1/2" = 1'-0"



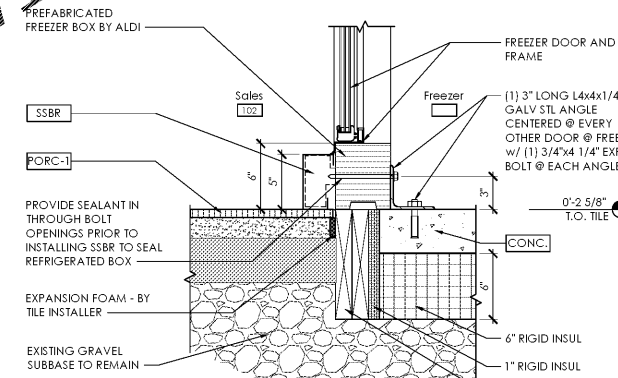
C2 Interior Section Detail - T.O. Cooler/Freezer at Sales

SCALE: 1 1/2" = 1'-0"



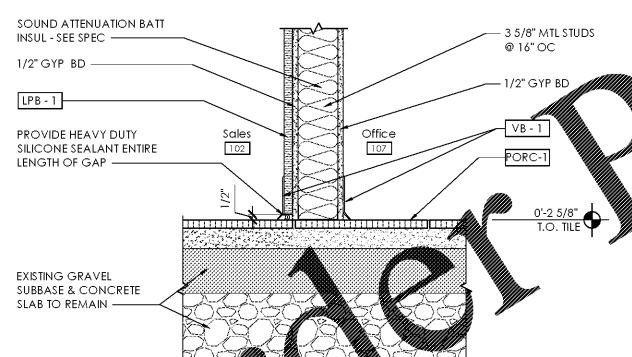
B2 Interior Section Detail - Freezer at Service Door

SCALE: 1 1/2" = 1'-0"



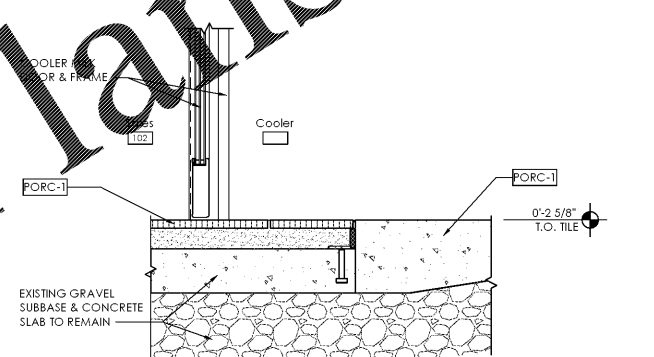
A2 Interior Section Detail - Freezer at General Doors

SCALE: 1 1/2" = 1'-0"



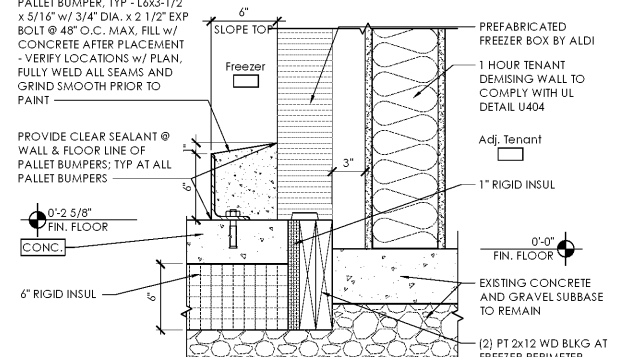
D1 Interior Section Detail - Wall Base at Office and Sales

SCALE: 1 1/2" = 1'-0"



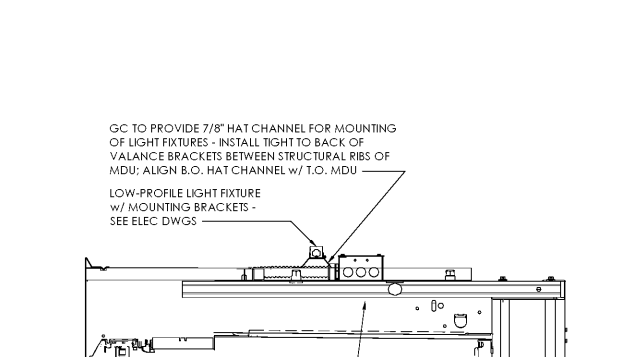
C1 Interior Section Detail - Cooler at Milk Doors

SCALE: 1 1/2" = 1'-0"



B1 Interior Section Detail - Freezer at Back Room

SCALE: 1 1/2" = 1'-0"



A1 Interior Section Detail - MDU Valance

SCALE: 1 1/2" = 1'-0"

Issued:	Date:
A Client Review Set	02/15/19
B Bid Set	03/08/19
C	
D	
Revisions:	Date:
1	
2	
3	
4	
5	
6	
7	
8	

DO NOT SCALE PLANS
Copying, Printing, Software and other processes required to produce these prints can stretch or shrink the actual paper or layout. Therefore, scaling of this drawing may be inaccurate. Contact our consultants with any need for additional dimensions or clarifications.

ms consultants, inc.
engineers, architects, planners
920 Main Campus Drive
Suite 430
Raleigh, NC 27606-5213
(919)-772-5565
fax: (919)-779-2308

DRAWN BY: MEM/BMT
REVIEWED BY: NAL/CMB

Seal

ALDI Inc.
1985 Old Union Church Road
Salisbury, NC 28146
(704) 642-0023
(704) 642-0076 fax

ALDI Inc. Store #: 59
Cary, NC
1315 Kildaire Farm Rd
Cary, NC 27511
Wake County
Project Name & Location:

Interior Details - Section Drawing Name:	
Prototype Rls.	Project No.
	40452-25
Type:	v7.1
	A-511
Scale: As Noted	Drawing No.