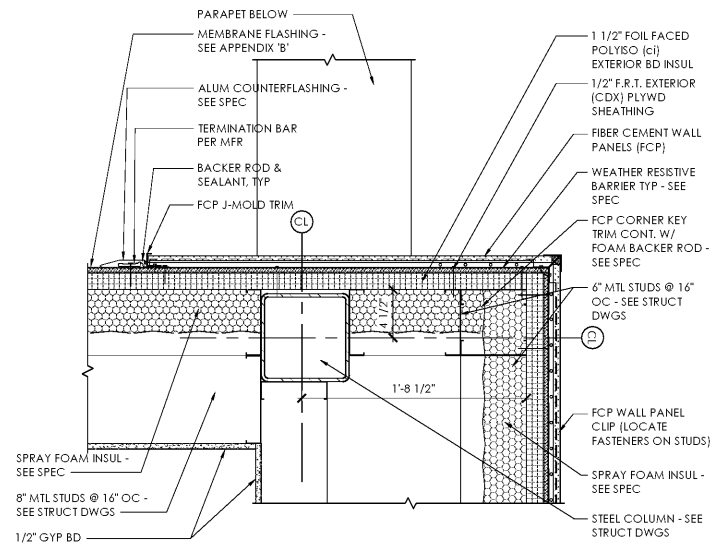


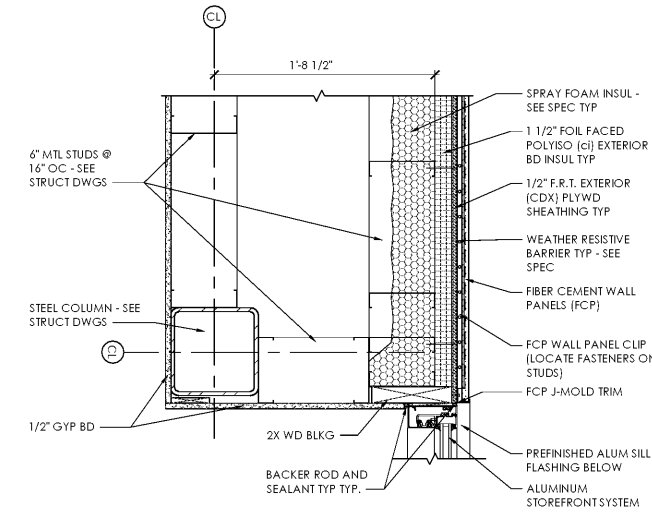
**D3** Exterior Plan Detail -  
Fiber Cement Panel Outside Corner

SCALE: 1 1/2" = 1'-0"



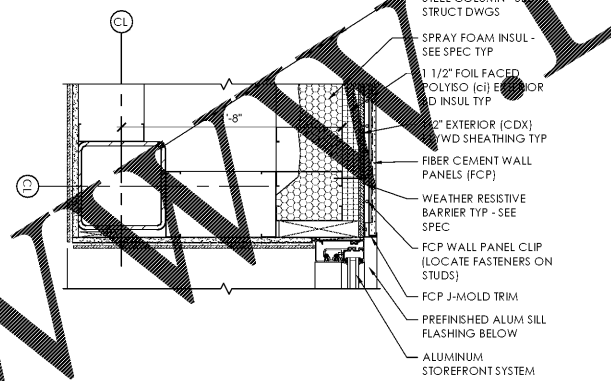
**B3** Exterior Plan Detail -  
Outside Corner at FCP (Above Parapet)

SCALE: 1 1/2" = 1'-0"



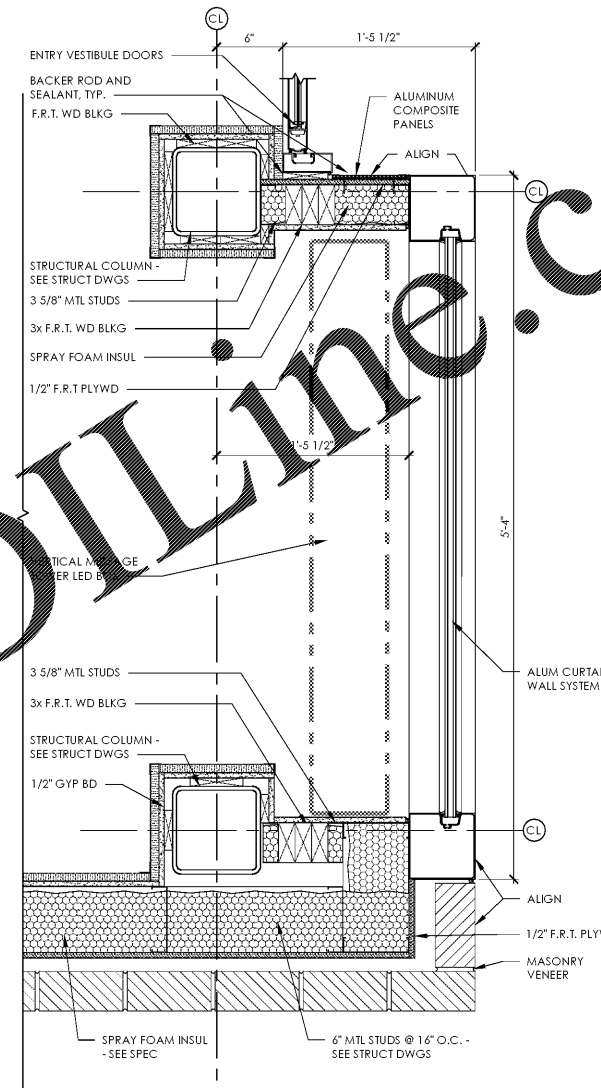
**D2** Exterior Plan Detail -  
Fiber Cement Panel at Glazing

SCALE: 1 1/2" = 1'-0"



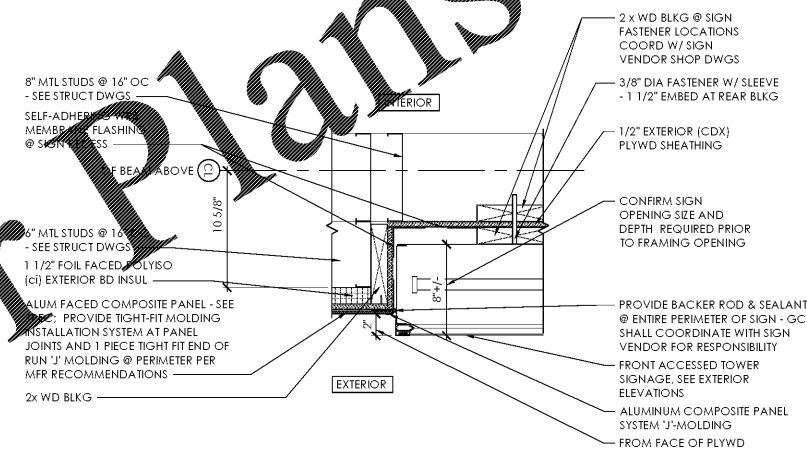
**B2** Exterior Plan Detail -  
Window at FCP (Above)

SCALE: 1 1/2" = 1'-0"



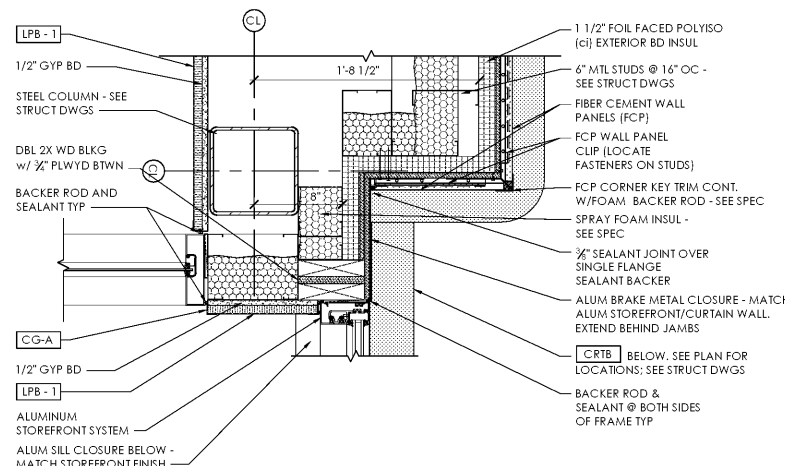
**A2** Exterior Plan Detail -  
Vertical Message Tower

SCALE: 1 1/2" = 1'-0"



**C1** Exterior Plan Detail -  
Logo Sign Attachment

SCALE: 1 1/2" = 1'-0"

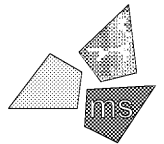


**B1** Exterior Plan Detail -  
Storefront at Vestibule

SCALE: 1 1/2" = 1'-0"

Issued:	Date:
Client Review and Permit Set	01/25/18
Revisions:	Date:

**DO NOT SCALE PLANS**  
Copying, Printing, Software and other processes required to produce these prints can stretch or shrink the actual paper or layout. Therefore, scaling of this drawing may be inaccurate. Contact us consultants with any need for additional dimensions or clarifications.



**ms consultants, inc.**  
engineers, architects, planners  
920 Main Campus Dr., Ste. 430  
Raleigh, NC 27606-5213  
phone 919.772.5565  
fax 919.779.2308

DRAWN BY:  
JSR / BR / BMT

REVIEWED BY:  
JB / CMB / EME

Seal



**ALDI Inc.** Store #: 37  
Ghent Farm Fresh  
730 West 21st Street  
Norfolk, VA 23517

Project Name & Location:

**Exterior Details**  
Drawing Name:  
Prototype Rls. 07/27/18 Project No. 40454-15  
Type: V8.0 ER Inline

A-503  
Scale: As Noted Drawing No.